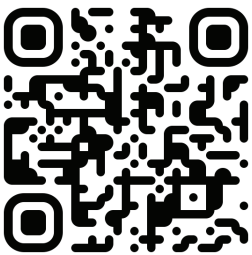
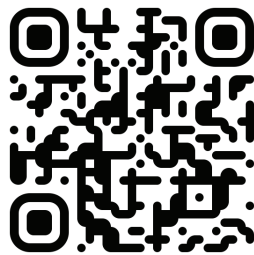


INDUSTRIAL HARDWARE

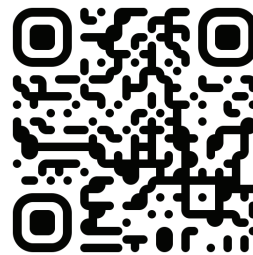
LATCH
HINGE
SEAL
SECURE



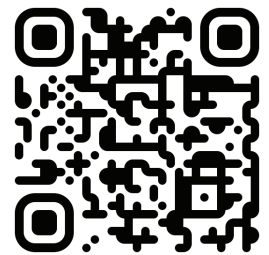
FATH INC



LINKEDIN



FACEBOOK



YOUTUBE

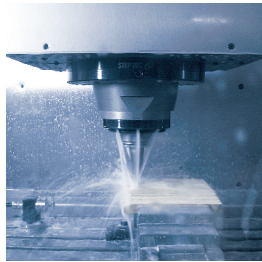
COMPETENCIES, TECHNOLOGIES, EQUIPMENT

Know-How

- In-depth market knowledge
- Product development
- Industrial design
- Tool engineering
- Tool construction
- Manufacturing technologies
- Operational management, processes
- International procurement and production network
- ...etc.

Materials

- Plastics PA, POM, PP, PC, TPE, ABS, PVC, PE etc.
- Additives: glass fibres, glass balls, carbon fibres, antiseptics, diverse colors etc.
- Rubber EPDM, NBR, CR etc.
- Aluminum
- Die-cast aluminum
- Die-cast zinc
- Steel
- Stainless steel
- Brass
- ...etc.



Surfaces

- Anodizing
- Painting
- Powder coating
- Galvanizing, zinc lamellar plating
- Chrome plating
- Nickel plating, zinc nickel plating
- Chromate treatment
- Burnishing
- Dry-film lubrication
- Printing
- Flocking
- Polishing
- Brushing
- ...etc.

Manufacturing Technologies

- Plastic injection moulding
- Aluminum die-casting
- Zinc die-casting
- Turning
- Milling
- Drilling
- Cutting
- Punching
- Bending
- Wire bending
- Cold-forming
- Hot-forming
- Deep-drawing
- Erosion
- Thread rolling
- Welding
- Friction welding
- Bonding
- Powder injection molding MIM / PIM
- Extruding
- Extrusion pressing
- ...etc.



TECHNICAL INFORMATION

Symbols



Different versions supplied for left and right side installation



For left and right hand installation



Padlockable



Attention



Appropriate for devices accordant to IP65 / NEMA 4



External hinge



Concealed-hinge



Detachable hinge



Stainless steel

Protection Categories according to IEC 60 539

The IP protection category is characterized by 2 digits. Example: IP 54

First Digit	Degree of protection against contact and foreign bodies	Second Digit	Degree of protection against water
1	Protected against solid foreign objects of Ø 50 mm and greater	1	Protected against vertically falling water drops
2	Protected against solid foreign objects of Ø 12.5 mm and greater	2	Protected against vertically falling water drops when the enclosure is tilted up to 15°
3	Protected against solid foreign objects of Ø 2.5 mm and greater	3	Protected against splashing water
4	Protected against solid foreign objects of Ø 1.0 mm and greater	4	Protected against splashing water
5	Dust-protected	5	Protected against water jets
6	Dust-tight	6	Protected against powerful water jets
		7	Protected against the effects of temporary immersion in water

Protection Categories according to National Electric Manufacturers Association (NEMA)

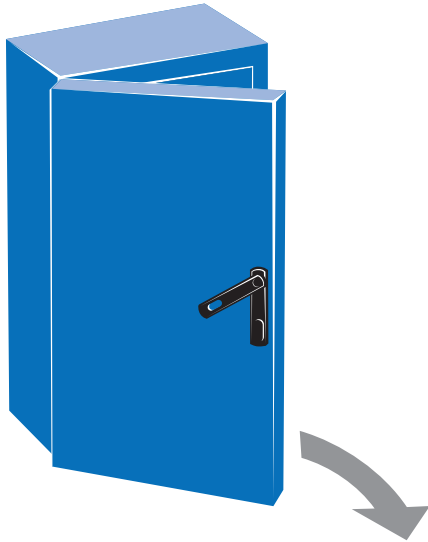
The UL classifications are not directly comparable with IP Protection Categories, since both the test conditions and the test results are different.

UL / NEMA	Description
1	Protected against penetration of foreign bodies
3.3R	Protected against penetration of solid bodies, protected against the ingress of rain, and dust and damage caused by icing
3S	Protected against rain, snow and foreign bodies. External mechanisms remain usable despite being coated in ice.
4.4X	Protected against rain, foreign bodies, splashed water and hosed water, and against damage caused by icing on the exterior of the enclosure
12.12K	Protected against dust deposits, foreign bodies, and non-corrosive dripping liquids
13	Protected against dust deposits, sprayed water, oil, and non-corrosive dripping liquids

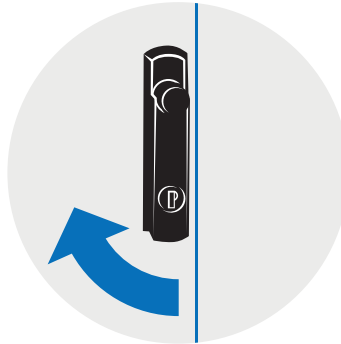
Stainless steel material specifications

Germany		USA	Japan	Unified Numbering System
Werkstoffnummer	DIN	AISI	JIS	UNS
1.4301	X5CrNi18-10	304	SUS 304	S 30400
1.4305	X8CrNiS18-9	303	SUS 303	S 30300
1.4310	X10CrNi18-8	301	SUS 301	S 30100
1.4401	X5CrNiMo17-12-2	316	SUS 316	S 31600
1.4571	X6CrNiMoTi17-12-2	316Ti	SUS 316Ti	S 31635

LEFT HAND DOOR, RIGHT HAND DOOR, AND OPENING DIRECTION



LH Door
Hinges are on the left side



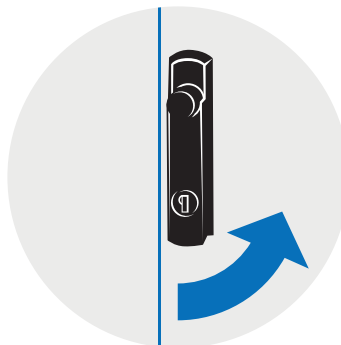
LH Door with swinghandle
Opening direction is clockwise



LH Door with escutcheon
Opening direction is counter-clockwise



RH Door
Hinges are on the right side



RH Door with swinghandle
Opening direction is counter-clockwise



RH Door with escutcheon
Opening direction is clockwise

We Are Only Limited By Our Imagination



- Custom Dimensions
- Custom Aesthetics
- Custom Ideas
- Exceptional Customer Service
- Unique Industry Changing Designs
- Same Day Design-To-Part at no charge to customer
- Think outside the box, think **FATH**
- Bring us a problem and we solve it

Environmental Lab Corrosion Test Chamber

Ascott 120L Salt Fog Chamber

- ASTM B117



FEATURES

- 4.2 Cubic Feet
- Low loading threshold for ergonomic loading and unloading.
- Easy Open' pneumatically operated canopy, with safety interlock.
- Dry seal gasket to prevent wetting the operator's clothes
- Timed canopy lock and automatic purge of the cabinet interior with fresh air after testing and before the chamber is opened.
- Easily accessible salt spray atomizer(s) in transparent hard-wearing acrylic, for ease of maintenance.
- External portable salt solution tank for ease of cleaning. 115L for 300/400L, 73L for 450L, Chambers and 90L for 1000L Chambers and above.
- Central viewing window for unimpeded visual access to chamber interior and test material.
- Base castors and integrated fork lift truck runners, for ease of transportation.
- A free choice of canopy colour.
- Calibration certificate.
- Consumables spares kit.
- Fallout Measuring Kit

Rapid Prototyping



FLASHFORGE Adventurer 4

- Build volume 220 x 220 x 250mm
- ABS/PLA/PETG/PLA-CF/PETG-CF
- Z-Layer Resolution +/-100 Microns
- Fast, High Quality Prints
- Large Build Volume

Flashforge Creator Pro 3D FDM Printer

- Build Area: 226 x 147 x 150mm
- ABS/HIPS/PLA/PVA
- Z-Layer Resolution: 50 - 300 microns
- Fast, High Quality Prints

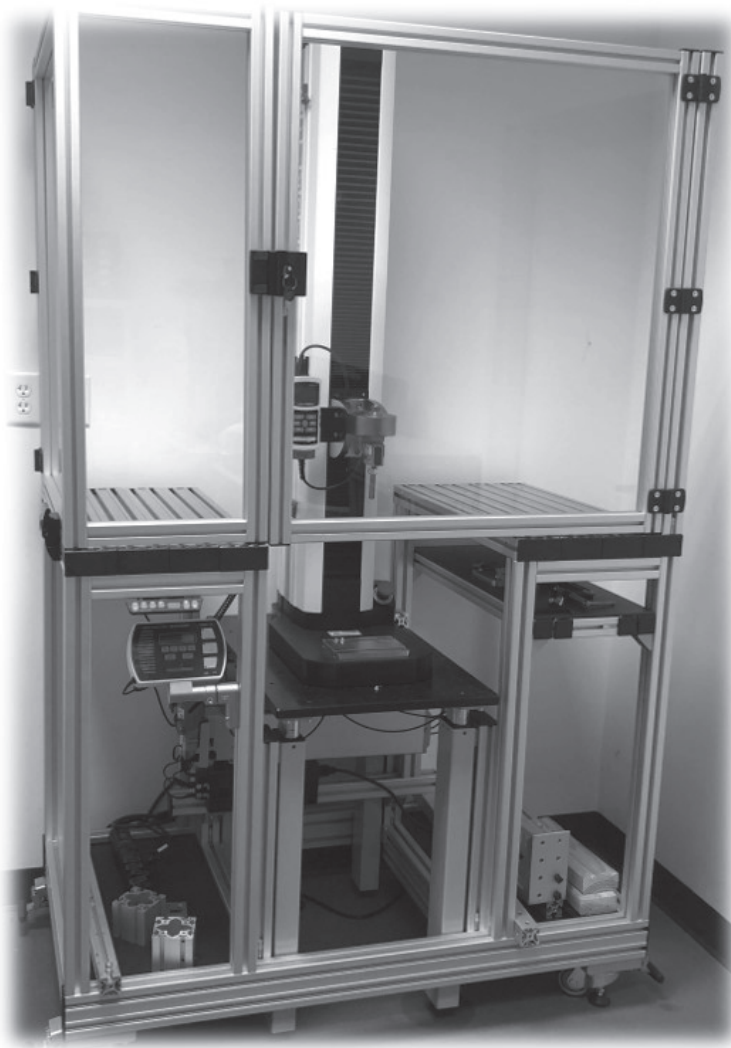


Formlabs Form3 3D SLA Printer

- Build Volume: 145 x 145 x 185 mm
- Z-Layer Resolution: 25 - 300 microns
- Seamless Very High Quality Prints

Mark-10 Force Test Stand ESM1500LC

- Load Capacity: 1,500 Pounds
- Maximum Travel Distance: 32 Inches
- Travel Accuracy: +/- 0.002 Inch Per 10 Inches
- Travel Resolution: 0.001 Inch



- Broad force range and clearance dimensions
- Compatible with load cells and force gauges
- USB output of force vs. time or force vs. distance
- Adjustable, removable control panel with intuitive menu navigation
- Unique modular function platform – select functions as required for the application
- Password protection of test parameters
- Stepper motor-driven, producing smooth and quiet operation with no speed variation under load
- Compact footprint, suitable for crowded workbenches
- Most electronics are housed in an integrated removable enclosure, easily accessed for service

Keyence Image Dimension Measurement System

**NEW
TESTING
CAPABILITY**



FAST

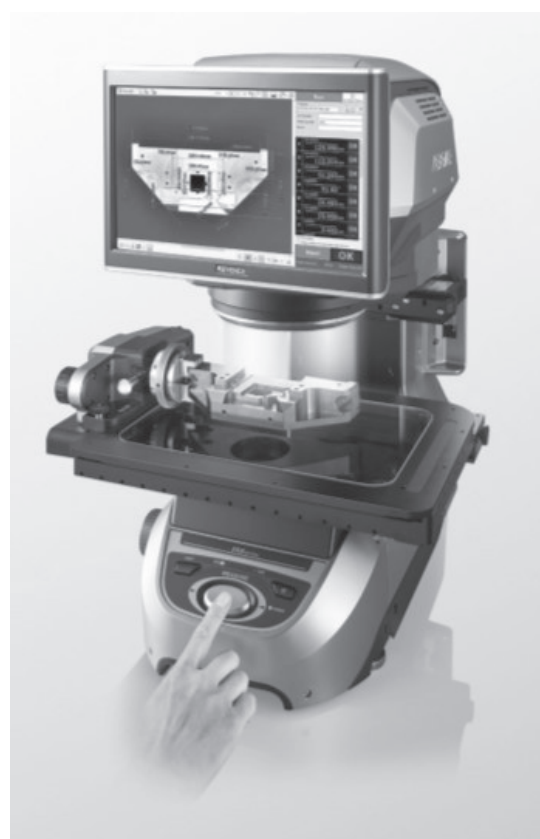
- Gone is the need to manually inspect parts with calipers and tape measures
- Measures up to 300 dimensions with a push of a button
- Saves all data and creates an inspection report

CONSISTENT

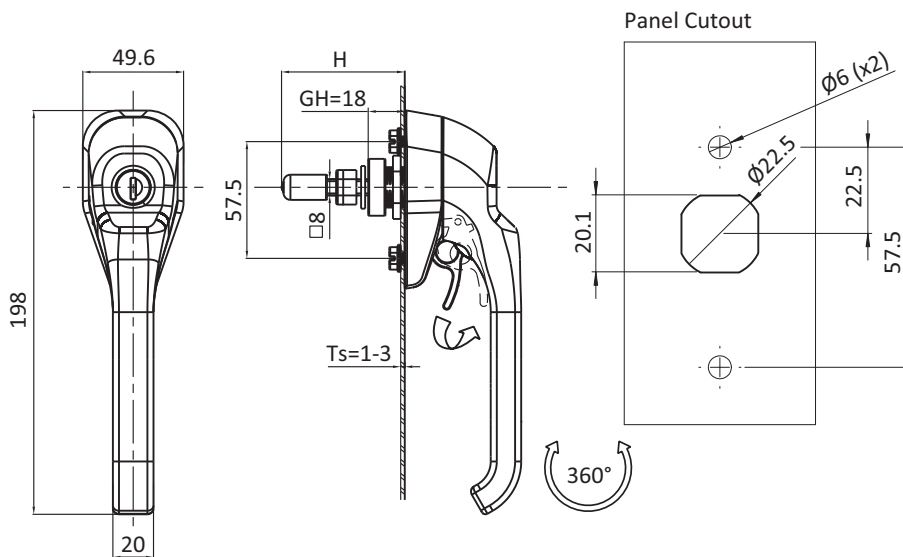
- Automatically identifies measurement points, ensuring that the same measurement results are obtained each time
- Automatic focus adjustment prevents inconsistent values
- The simple place-and-press operation means consistent measurement results regardless of the operator

EASY

- Easily set up measurements with just a few clicks
- Setting up virtual lines and points is just as simple
- No measurement expertise is required to measure parts

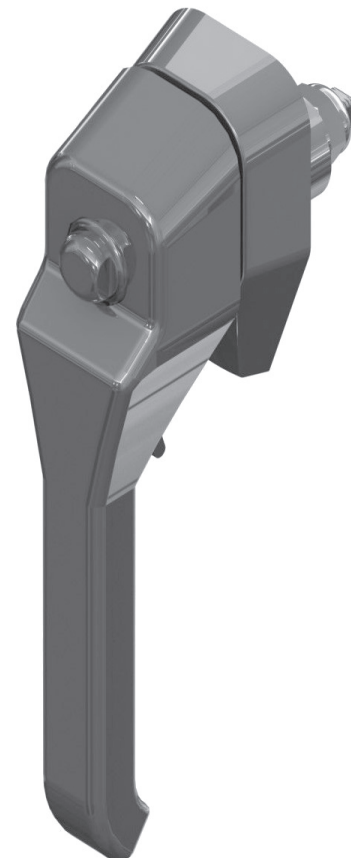


L-Handle 1/4 Turn Lock With Clean Line Insert



Benefits

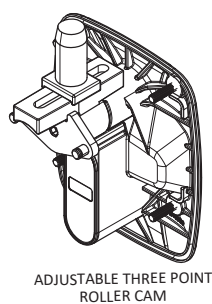
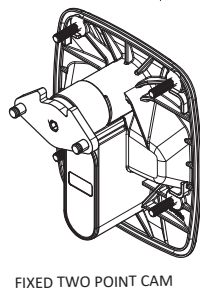
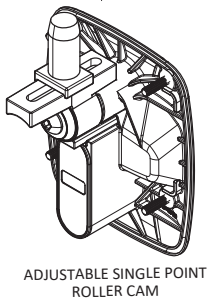
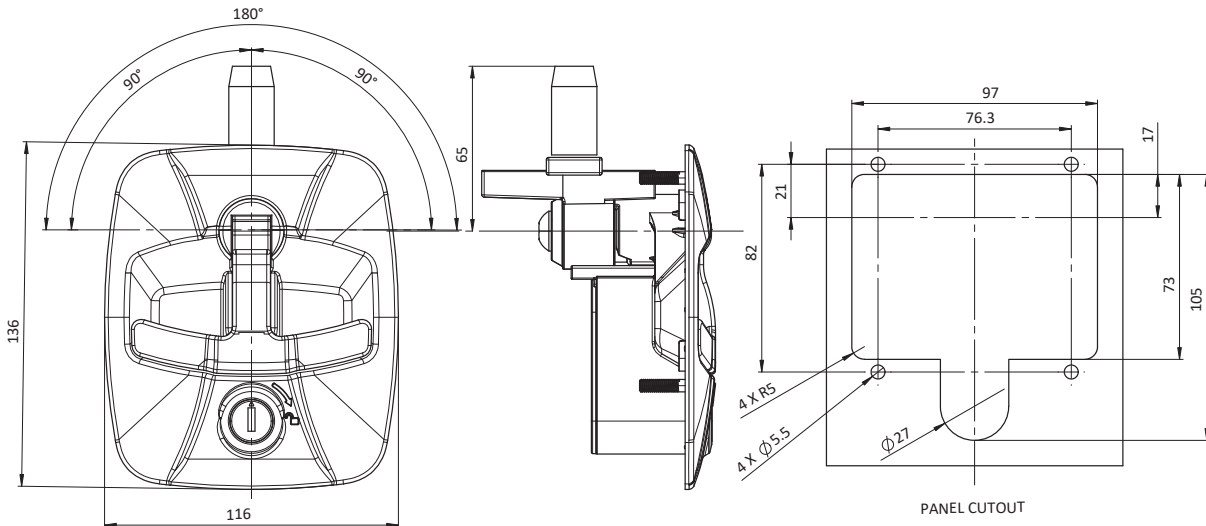
- Can be used in highly corrosive environments
- Defeater function
- Uses Clean Line insert



T-Handle Compression Latch



MATERIAL	Housing: PA6 30. Handle: Die Cast Zinc Housing: 304 SS. Handle 304 SS
SURFACE	Housing: Black. Handle: Black Powder Coated Housing: Passivated. Handle Passivated

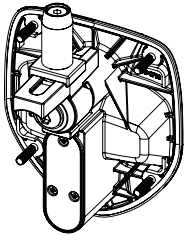
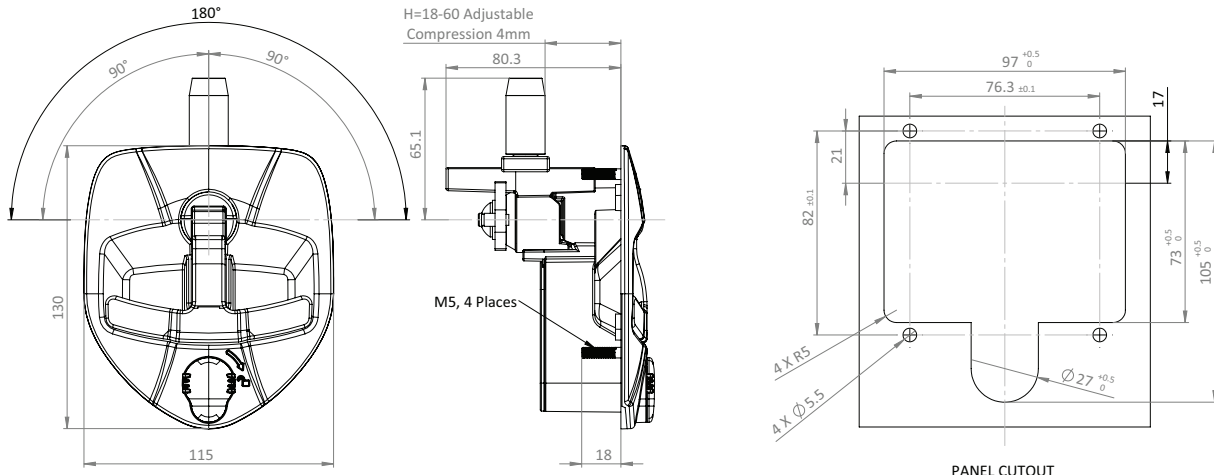


Material	Finish	Rotation	Cam Type	FH805 Key Locking	FH751 Key Locking
Die Cast Zinc	Black Powder	180°	Adjustable Single Point	0810051805180	0810051751180
Die Cast Zinc	Black Powder	90° Left	Adjustable Single Point	081005180590L	081005175190L
Die Cast Zinc	Black Powder	90° Right	Adjustable Single Point	081005180590R	081005175190R
Die Cast Zinc	Black Powder	180°	Fixed Two Point	0810052805180	0810052751180
Die Cast Zinc	Black Powder	90° Left	Fixed Two Point	081005280590L	081005275190L
Die Cast Zinc	Black Powder	90° Right	Fixed Two Point	081005280590R	081005275190R
Die Cast Zinc	Black Powder	180°	Adjustable Three Point	0810053805180	0810053751180
Die Cast Zinc	Black Powder	90° Left	Adjustable Three Point	081005380590L	081005375190L
Die Cast Zinc	Black Powder	90° Right	Adjustable Three Point	081005380590R	081005375190R
304 Stainless Steel	Passivated	180°	Adjustable Single Point	0810051805180E	0810051751180E
304 Stainless Steel	Passivated	90° Left	Adjustable Single Point	081005180590LE	081005175190LE
304 Stainless Steel	Passivated	90° Right	Adjustable Single Point	081005180590RE	081005175190RE
304 Stainless Steel	Passivated	180°	Fixed Two Point	0810052805180E	0810052751180E
304 Stainless Steel	Passivated	90° Left	Fixed Two Point	081005280590LE	081005275190LE
304 Stainless Steel	Passivated	90° Right	Fixed Two Point	081005280590RE	081005275190RE
304 Stainless Steel	Passivated	180°	Adjustable Three Point	0810053805180E	0810053751180E
304 Stainless Steel	Passivated	90° Left	Adjustable Three Point	081005380590LE	081005375190LE
304 Stainless Steel	Passivated	90° Right	Adjustable Three Point	081005380590RE	081005375190RE

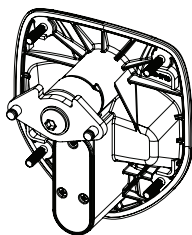
T-Handle Compression Latch



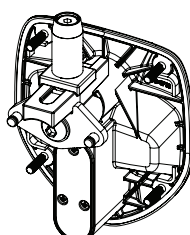
MATERIAL	Housing: PA6 30. Handle: Die Cast Zinc Housing: 304 SS. Handle 304 SS
SURFACE	Housing: Black. Handle: Black Powder Coated Housing: Passivated. Handle Passivated



ADJUSTABLE SINGLE POINT
ROLLER CAM



FIXED TWO POINT CAM



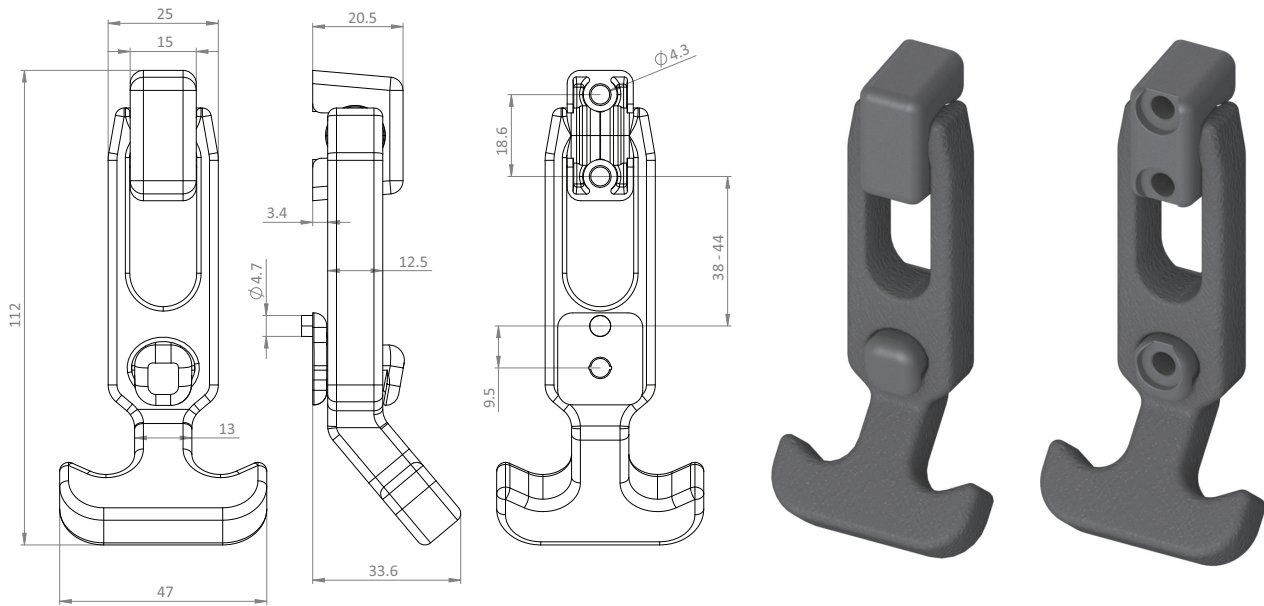
ADJUSTABLE THREE POINT
ROLLER CAM



Material	Finish	Rotation	Cam Type	FH805 Key Locking	FH751 Key Locking
Die Cast Zinc	Black Powder	180°	Adjustable Single Point	081005S011805180	081005S011751180
Die Cast Zinc	Black Powder	90° Left	Adjustable Single Point	081005S01180590L	081005S01175190L
Die Cast Zinc	Black Powder	90° Right	Adjustable Single Point	081005S01180590R	081005S01175190R
Die Cast Zinc	Black Powder	180°	Fixed Two Point	081005S012805180	081005S012751180
Die Cast Zinc	Black Powder	90° Left	Fixed Two Point	081005S01280590L	081005S01275190L
Die Cast Zinc	Black Powder	90° Right	Fixed Two Point	081005S01280590R	081005S01275190R
Die Cast Zinc	Black Powder	180°	Adjustable Three Point	081005S013805180	081005S013751180
Die Cast Zinc	Black Powder	90° Left	Adjustable Three Point	081005S01380590L	081005S01375190L
Die Cast Zinc	Black Powder	90° Right	Adjustable Three Point	081005S01380590R	081005S01375190R
304 Stainless Steel	Passivated	180°	Adjustable Single Point	081005S011805180E	081005S011751180E
304 Stainless Steel	Passivated	90° Left	Adjustable Single Point	081005S01180590LE	081005S01175190LE
304 Stainless Steel	Passivated	90° Right	Adjustable Single Point	081005S01180590RE	081005S01175190RE
304 Stainless Steel	Passivated	180°	Fixed Two Point	081005S012805180E	081005S012751180E
304 Stainless Steel	Passivated	90° Left	Fixed Two Point	081005S01280590LE	081005S01275190LE
304 Stainless Steel	Passivated	90° Right	Fixed Two Point	081005S01280590RE	081005S01275190RE
304 Stainless Steel	Passivated	180°	Adjustable Three Point	081005S013805180E	081005S013751180E
304 Stainless Steel	Passivated	90° Left	Adjustable Three Point	081005S01380590LE	081005S01375190LE
304 Stainless Steel	Passivated	90° Right	Adjustable Three Point	081005S01380590RE	081005S01375190RE

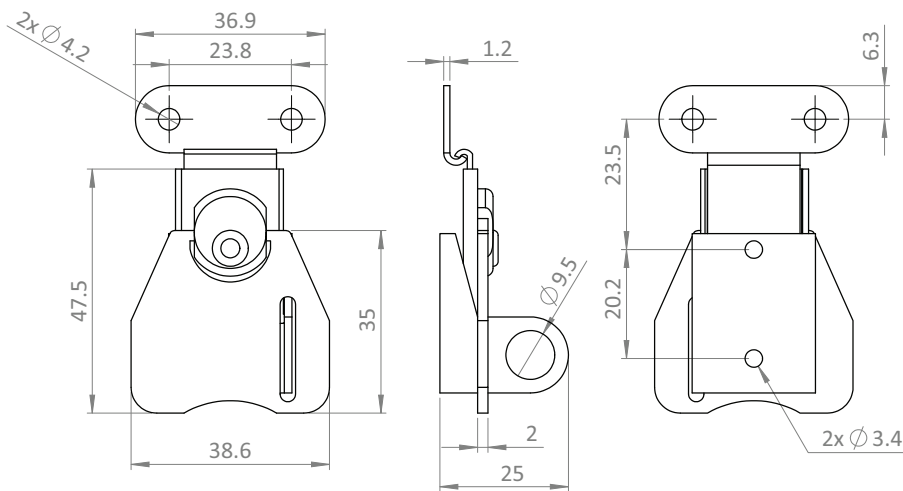
Draw Latches

MATERIAL	Handle: Black Rubber Attachment Brackets: PA6
MAX STATIC LOAD	600 N



Blind Mounting Holes	08100991
Through Mounting Holes	08100991S01

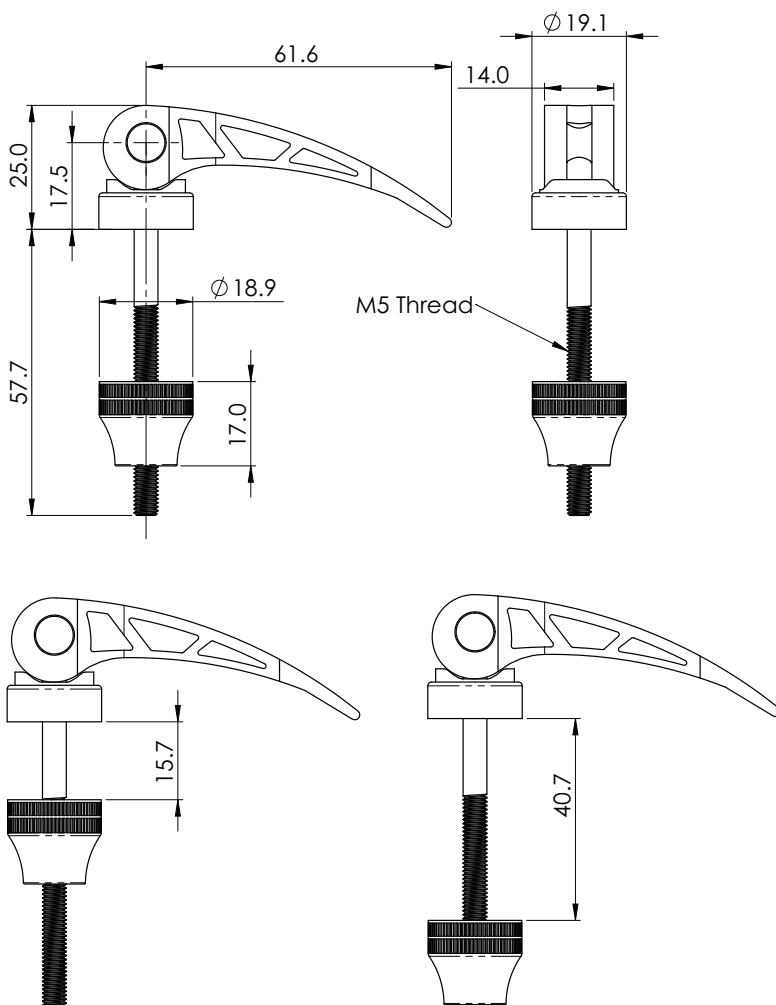
MATERIAL	304 Stainless Steel
-----------------	---------------------



0850278

Quick Release Clamp

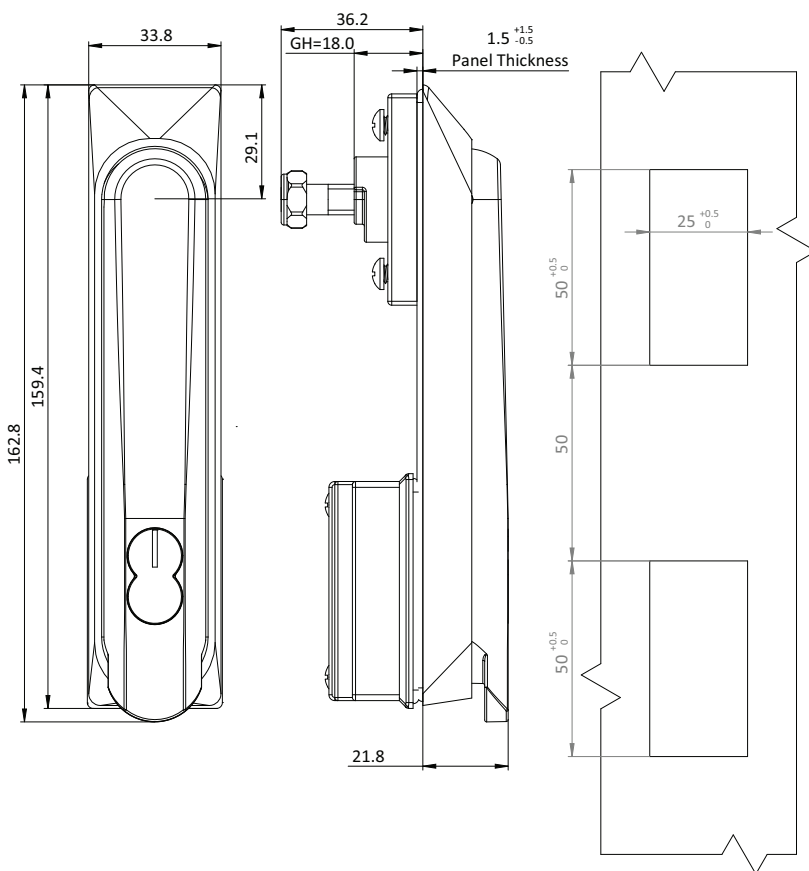
MATERIAL	Handle: Die cast zinc Cup: PA6 30 Hardware: Mild Steel
SURFACE	Handle: Black E-Coat Cup: Black Hardware: Clear Zinc Plated



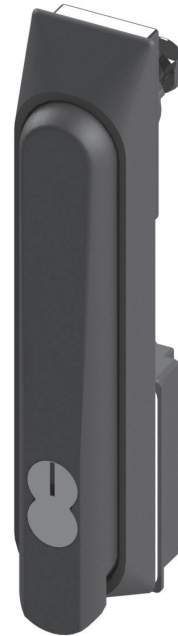
BEST Cylinder Swing Handle



MATERIAL	Body: PA, glass fiber reinforced Handle: Die cast zinc Shaft and hardware: Mild steel
COLOR	Body: Black
SURFACE	Shaft and hardware: Zinc plated



PANEL CUTOUT



Cylinder Style

BEST Cylinder Compatible

Cam control
with dust shutter

0880009BEST

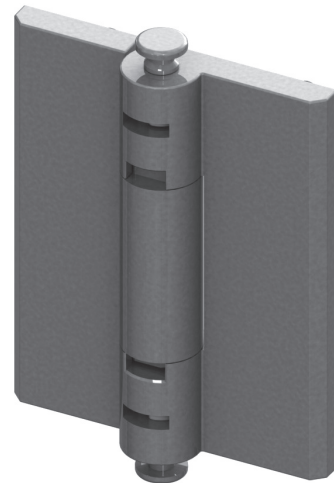
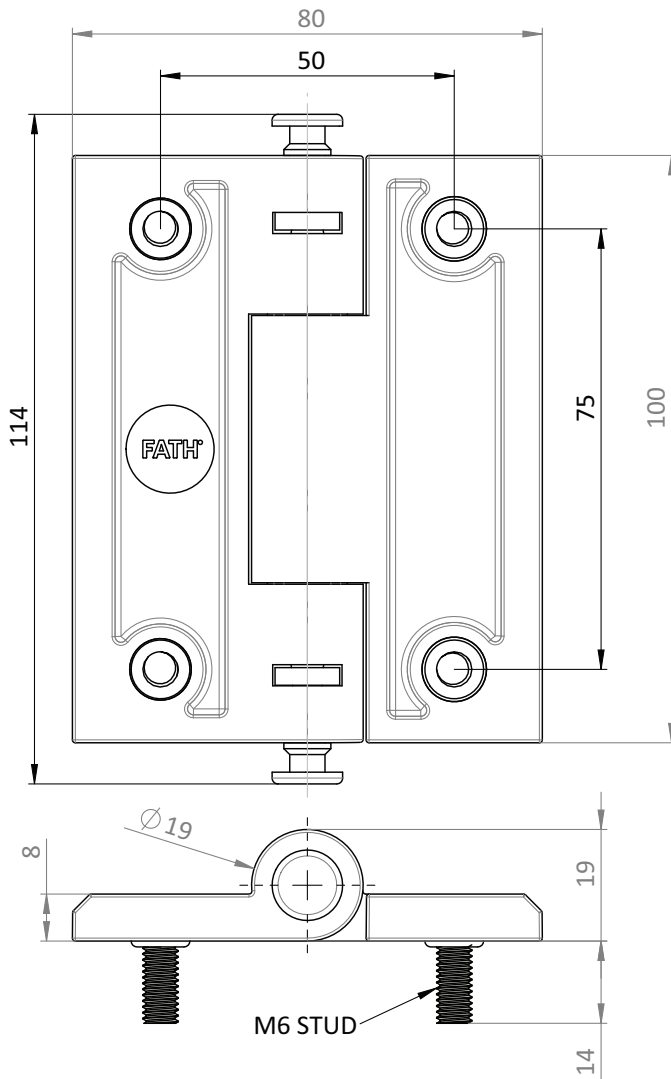
Cam control
without dust shutter

0880013BEST

Hinge, Screw On-Lift Off



MATERIAL	Hinge leaves: Die Cast Zinc, 316 SS Hinge pin: 316 SS
SURFACE	Hinge leaves: Powder Coated Black Hinge pin: 304 Stainless Steel
SPECIALS	Lift off Left and right



Screw-On Hinge

Material

Part #

Die Cast Zinc

0850263

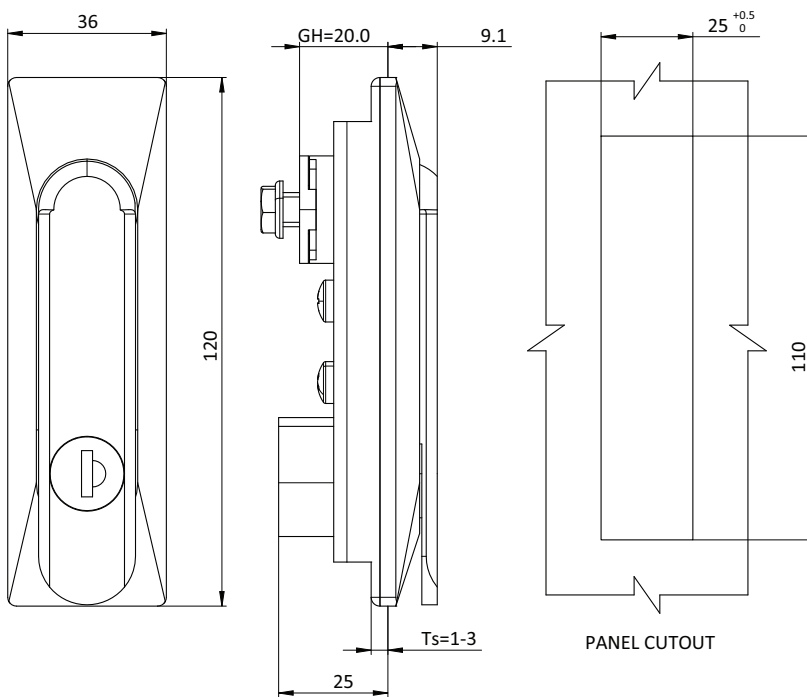
316 Stainless Steel

0850263E

Swing Handle, Miniature



MATERIAL	Body: Die-cast zinc / PA, glass fiber reinforced Handle and shaft: Die-cast zinc Hardware: Mild steel
SURFACE	Black powder coated Hardware: Zinc plated



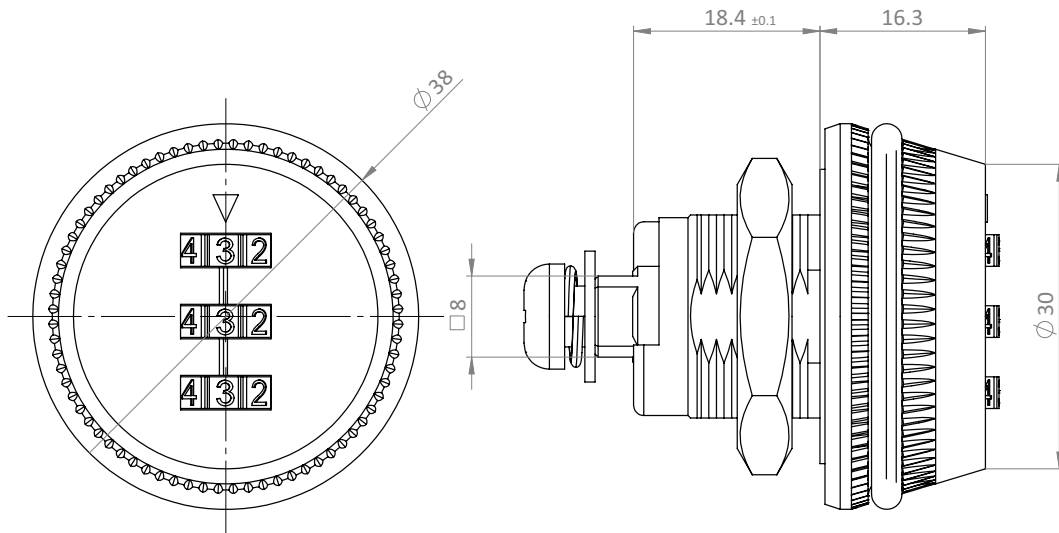
Profile Cylinder Swing Handle - Cam Control	Insert	GH (mm)	Part #
Die cast handle / PA housing	With FH333 key insert	20	0880041
Die cast handle / PA housing	No Insert	20	0880042
PA Handle / PA housing	With FH333 key insert	20	0813178

Compatible cams see pages 47, 226-235

Combination 1/4-Turn



MATERIAL	Die Cast Zinc
SURFACE	Tin-Cobalt Plating



MATERIAL
Die Cast Zinc
FINISH
Black E-Coat

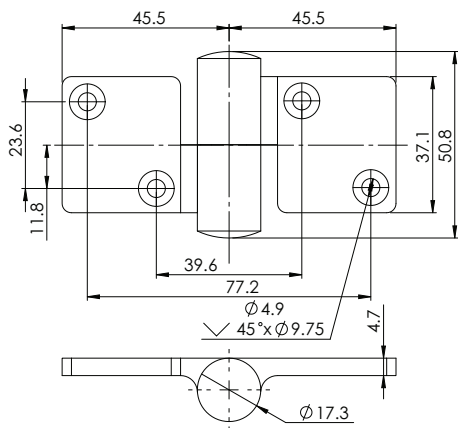
Part #

0812141

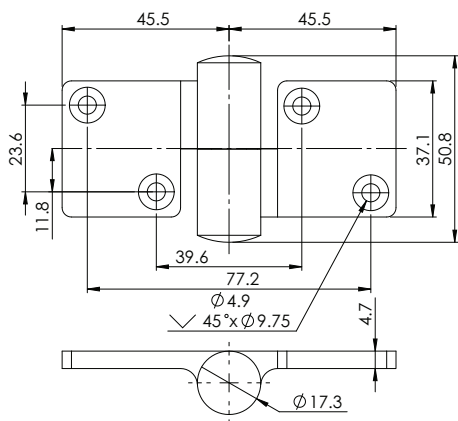
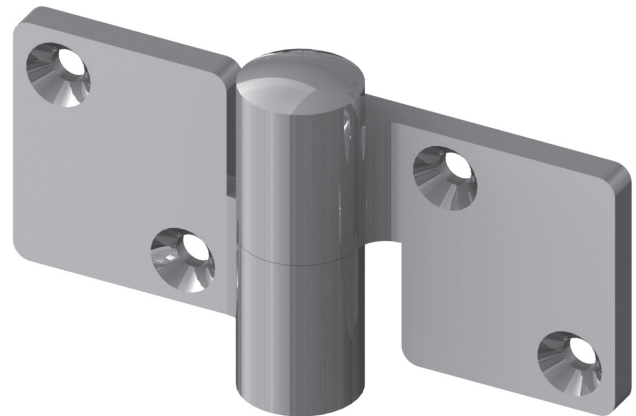
Hinge, Screw On-Lift Off



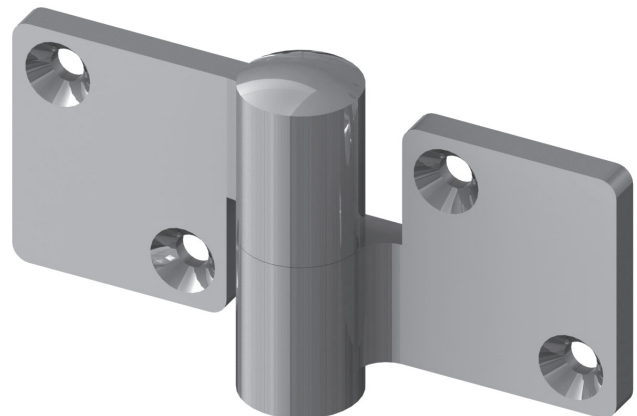
MATERIAL	Hinge pin: 304 SS
SURFACE	Polished
HARDWARE	M6 Flat Head Screw



LEFT



RIGHT

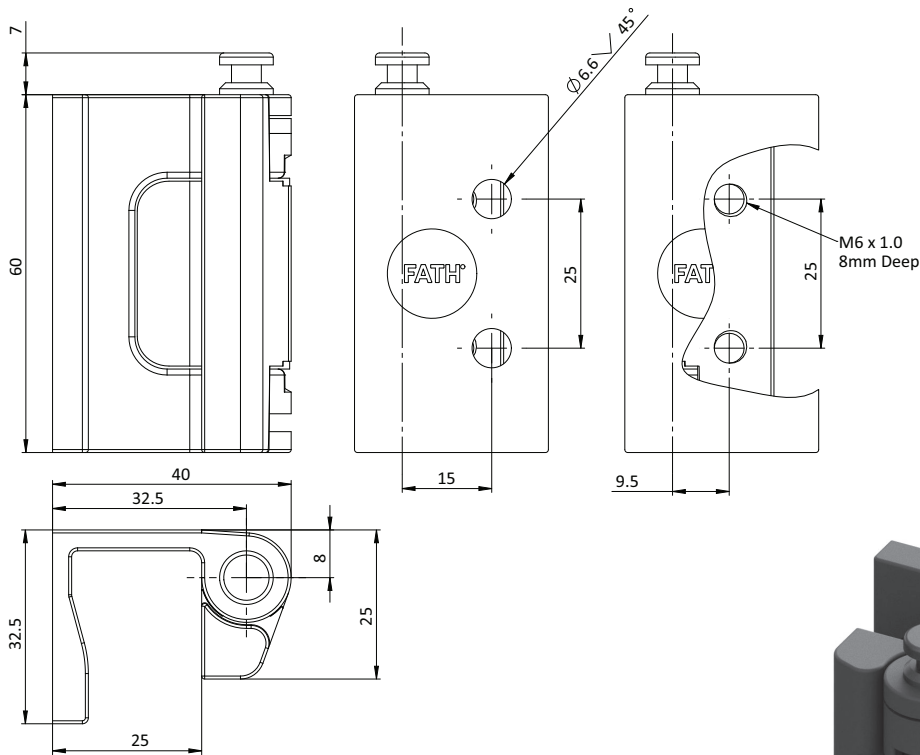


Hinge	Selection #
Left	095E4545LS02
Right	095E4545RS02

Small Concealed Hinge



DESCRIPTION	To hinge panels
MATERIAL	Hinge leaves: Die-cast zinc Hinge pin and mounting pin: Stainless Steel
SURFACE	Hinge leaves: Black powder coated Hinge pin and mounting pin: Black E-Coat



Semi-Concealed Metal Hinges

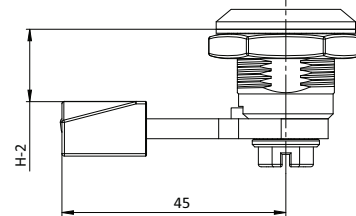
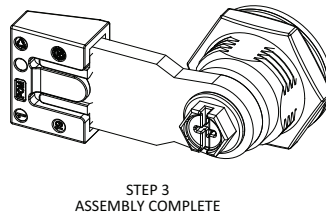
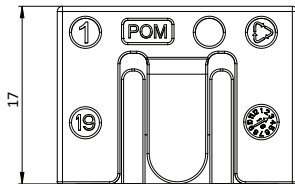
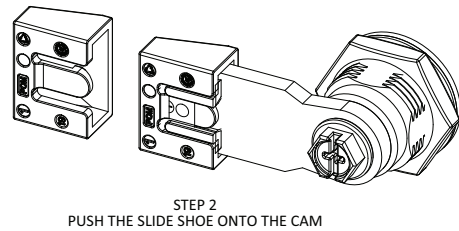
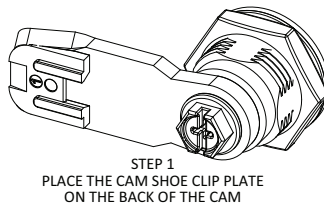
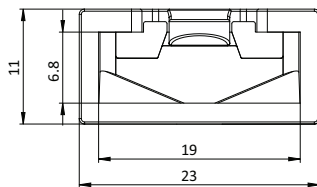
Part #

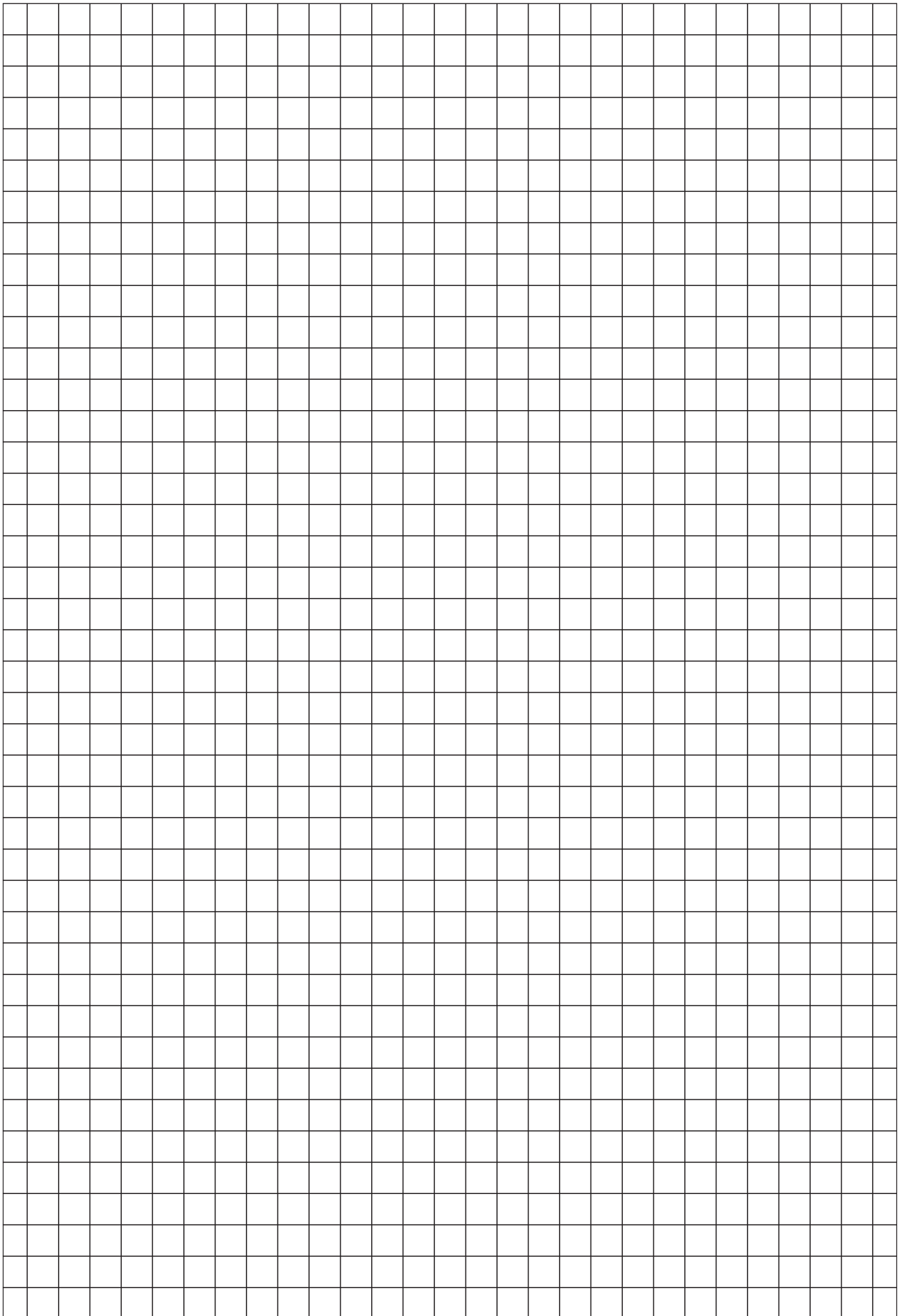
0830075S01

Cam Shoe



DESCRIPTION	Slide shoe for cam
MATERIAL	POM
SURFACE	BLACK





INDUSTRIAL HARDWARE

CHAPTER 1: **QUARTER TURN LOCKS**

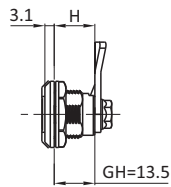


SMALL QUARTER TURN LOCKS	22
L-SHAPE QUARTER TURN LOCKS	23
SMALL QUARTER TURN LOCKS	24
SMALL KEYED QUARTER TURN LOCKS	25
SMALL WING KNOB QUARTER TURN LOCKS	26
WING KNOB QUARTER TURN LOCKS	27
VIBRATION RESISTANT QUARTER TURN LOCKS	28
VIBRATION RESISTANT QUARTER TURN LOCKS	29
ECONOMICAL QUARTER TURNS	30
QUARTER TURN LOCK INDUSTRY STANDARD	31
INDUSTRY STANDARD	31
QUARTER TURN LOCKS VIBRATION RESISTANT	32
SPRING STYLE QUARTER TURN LOCKS	33
HYGIENIC QUARTER TURN LOCKS	33
WING KNOB QUARTER TURN LOCKS	34
LOW PROFILE QUARTER TURN LOCKS	35
WING KNOB QUARTER TURN LOCKS	35
PAD LOCK COMPATIBLE QUARTER TURN LOCKS	36-37
COMBINATION QUARTER TURN	38
T-HANDLE QUARTER TURN LOCKS	39
L - HANDLE LOCK	40
PAD LOCK COMPATIBLE L-HANDLE QUARTER TURN LOCKS	41
L-HANDLE QUARTER TURN LOCKS	42
PAD LOCK COMPATIBLE L-HANDLE QUARTER TURN LOCKS	43
L-HANDLE QUARTER TURN LOCK WITH DEFEATER FUNCTION	44
QUARTER TURN LOCKS EXTENDED HOUSING	45
QUARTER TURN LOCKS	47
STANDARD QUARTER TURN CAMS	48-49

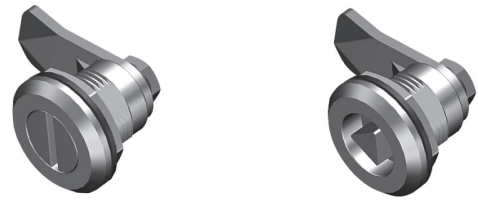
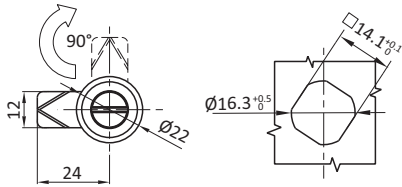
SMALL QUARTER TURN LOCKS

DESCRIPTION	For easy and secure latching and locking of doors and flaps. Wide range of inserts, cams, and accessories.
MATERIAL	Die-cast zinc
SURFACE	Black powder coated / chrome plated
SPECIALS	Right and left IP65 / NEMA 4

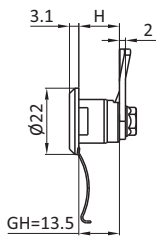
With Nut Mounting



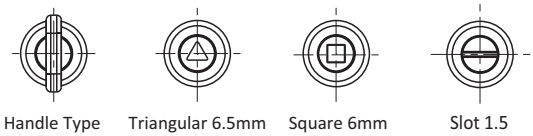
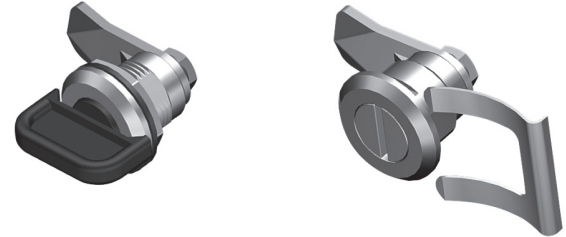
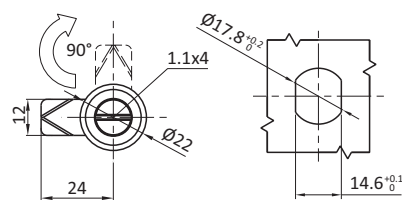
Panel Cutout A



With Spring Fixing Plate



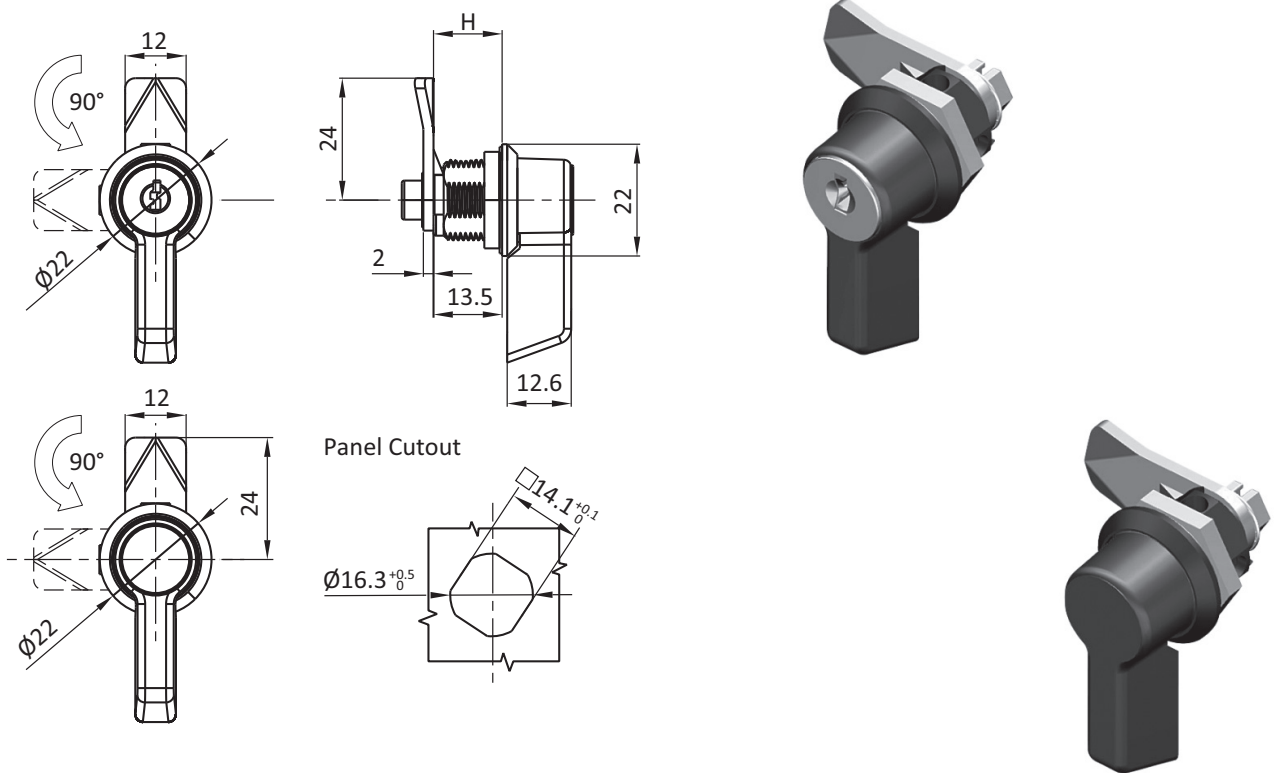
Panel Cutout B



Small Quarter Turn Locks	Cylinder style	Cam style	Die-cast Zinc, black powder coated	Die-cast Zinc, chrome plated	316 SS
Nut mounting Cutout Panel A	Square 6.0mm	H = 7.5 mm	0810448	0810447	0810591
		H = 13.5 mm	0810596	0810595	0810597
		H = 19.5 mm	0810608	0810607	0810609
	Triangular 6.5mm	H = 7.5 mm	0810450	0810449	0810592
		H = 13.5 mm	0810599	0810598	0810600
		H = 19.5 mm	0810611	0810610	0810612
	Slot 1.5mm	H = 7.5 mm	0810452	0810451	0810593
		H = 13.5 mm	0810602	0810601	0810603
		H = 19.5 mm	0810614	0810613	0810615
	Handle type	H = 7.5 mm	0810454	0810453	0810594
		H = 13.5 mm	0810605	0810604	0810606
		H = 19.5 mm	0810617	0810616	0810618
Spring mounting Cutout Panel B	Square 6.0mm	H = 7.5 mm			0810621
		H = 13.5 mm			
		H = 19.5 mm			
	Slot 1.5mm	H = 7.5 mm		0810625	
		H = 13.5 mm			
		H = 19.5 mm			

L-SHAPE QUARTER TURN LOCKS

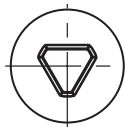
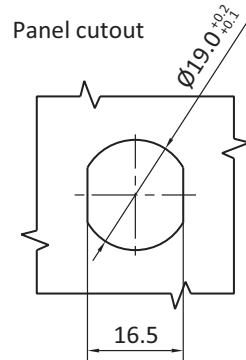
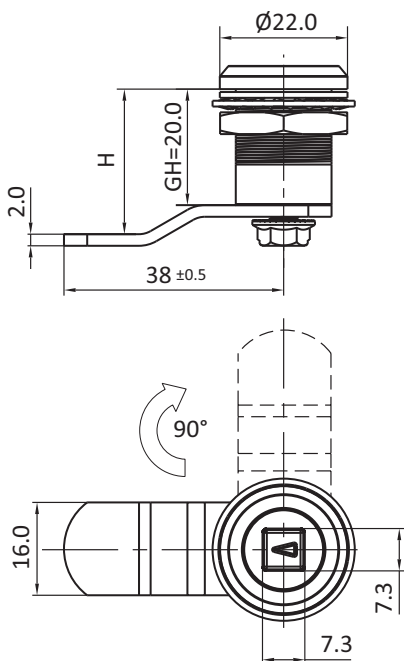
DESCRIPTION	For easy and secure latching and locking of doors and flaps. Wide range of inserts, cams, and accessories.
MATERIAL	Die-cast zinc
SURFACE	Black powder coated / chrome plated
SPECIALS	Key code FH2233 Keyed different on request FH751 key code on request



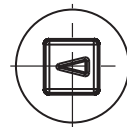
L-Shape Quarter Turn Lock	H Dimension [mm]	Die-cast Zinc, black powder coated	Die-cast Zinc, chrome plated
Non-locking	7.5	0810455	0810456
	13.5	0811005	0811009
	19.5	0811006	0811010
Key locking	7.5	0810457	0810458
	13.5	0811007	0811011
	19.5	0811008	0811012

SMALL QUARTER TURN LOCKS

DESCRIPTION	For easy and secure latching and locking of doors and flaps. Wide range of cams and accessories.
MATERIAL	Die-cast zinc
SURFACE	Nickel Plate
SPECIALS	Right and left



Trinagular 6.5mm



Square 7mm with arrow



Push To Close Quarter Turn Locks

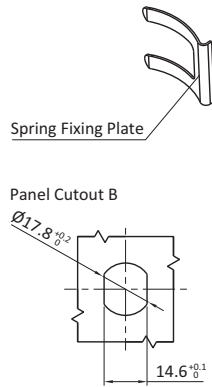
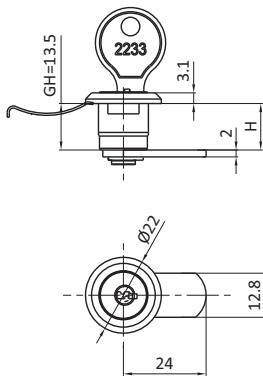
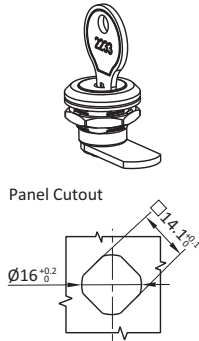
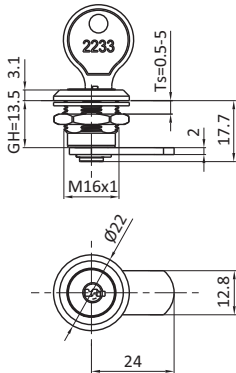
Cylinder Style

GH = 20
Die-cast Zinc

Non-locking	Square 7mm with arrow	0810666
	Triangular 6.5mm	0810667

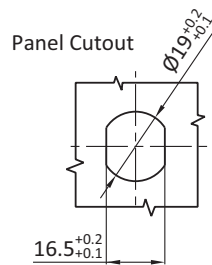
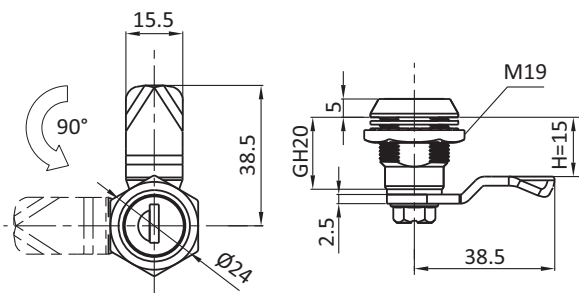
SMALL KEYED QUARTER TURN LOCKS

DESCRIPTION	For easy and secure latching and locking of doors and flaps. Wide range of inserts, cams, and accessories. Key code 2233
MATERIAL	Die-cast zinc
SURFACE	Black powder coated / chrome plated
SPECIALS	Key code FH2233



Quarter Turn Locks	H Dimension	Nut Mounting	Nut Mounting	Spring Mounting	Spring Mounting
		Black Powder Coated	Bright Chrome Plated	Black Powder Coated	Bright Chrome Plated
	7.5MM	0810524	0850255		
	13.5mm	0850254	0810525	0850256	0850257
	19.5mm	0850258	0850259	0850260	0850261

Chapter 5 and 9 for accessories



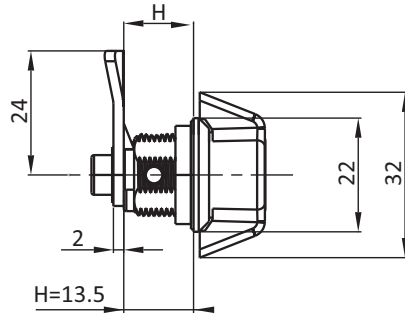
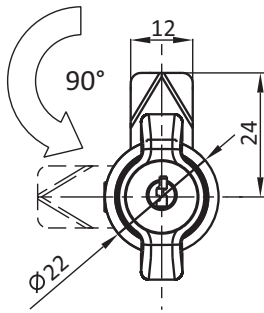
Quarter Turn Locks	Key locking	Die-cast Zinc, black powder coated	Die-cast Zinc, chrome plated
		0810714	0810715

Keyed different on request
 FH751 key code on request

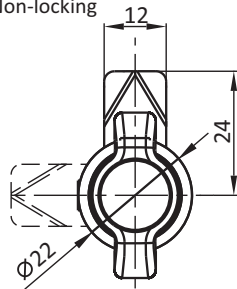
SMALL WING KNOB QUARTER TURN LOCKS

DESCRIPTION	For easy and secure latching and locking of doors and flaps. Wide range of inserts, cams, and accessories.
MATERIAL	Die-cast zinc
SURFACE	Black powder coated / chrome plated
SPECIALS	Right and left IP65 / NEMA 4

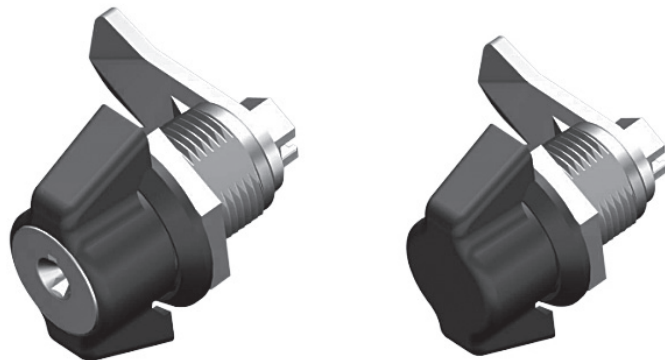
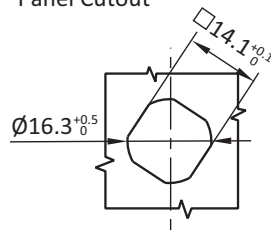
Key Locking



Non-locking



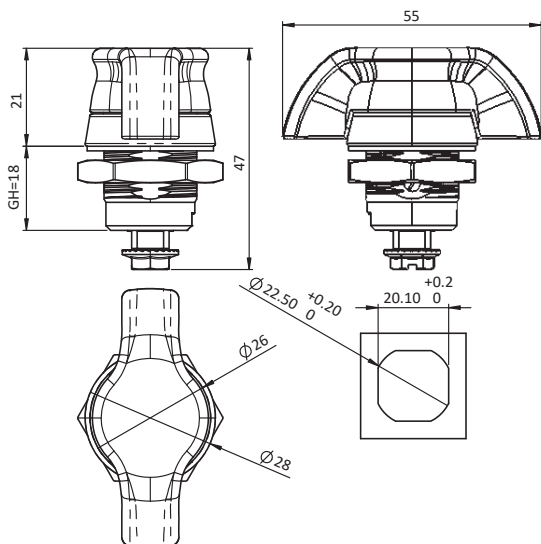
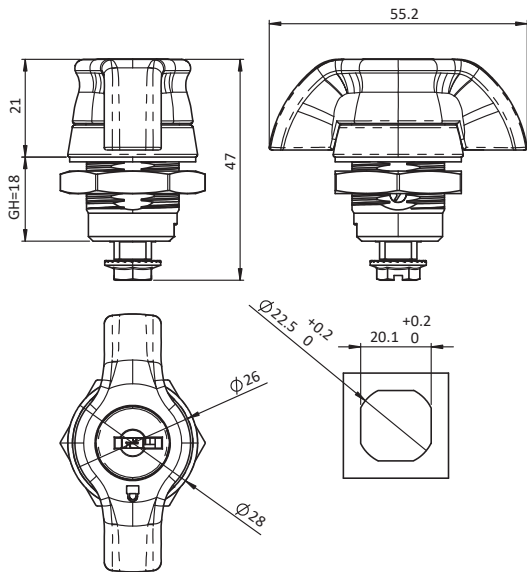
Panel Cutout



Small Wing Knob Quarter Turn Lock	Key	H Dimension [mm]	Die-cast Zinc, black powder coated	Die-cast Zinc, chrome plated
Non-locking		7.5	0810177S03	0810175S01
		13.5	0810177S01	0810175
		19.5	0810177S04	0810175S02
Key locking FH2233	0813439	7.5	0810176S05	0810174S01
		13.5	0810176	0810174
		19.5	0810176S06	0810174S02

WING KNOB QUARTER TURN LOCKS

DESCRIPTION	For easy and secure latching and locking of doors and flaps. Wide range of inserts, cams, and accessories.
MATERIAL	Die-cast zinc
SURFACE	Black powder coated / chrome plated
SPECIALS	Right and left

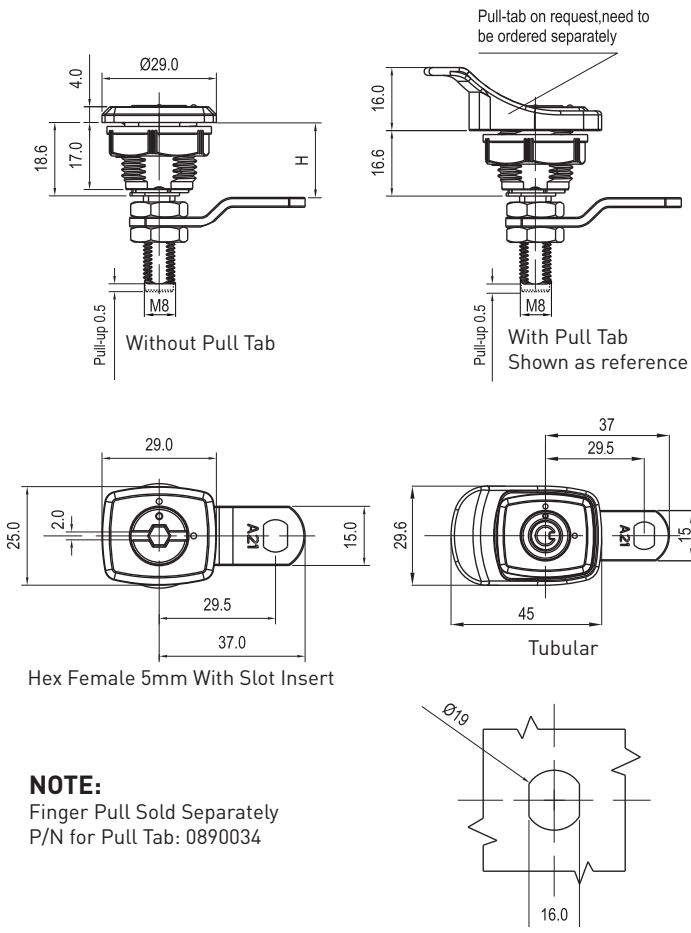


	<i>Key</i>	
FH333 LOCKING	0813437	0810168503
NON LOCKING		0810169503

Compatible cams see pages 48-49, 238-239
 Chapter 5 and 9 for accessories

VIBRATION RESISTANT QUARTER TURN LOCKS

DESCRIPTION	For easy and secure latching and locking of doors and flaps. Wide range of cams and accessories.
MATERIAL	Die-cast zinc Housing and pull: PA Cam: Mild Steel
SURFACE	Black powder coated / chrome plated Cam: Zinc plated
SPECIALS	Right and left



NOTE:
 Finger Pull Sold Separately
 P/N for Pull Tab: 0890034

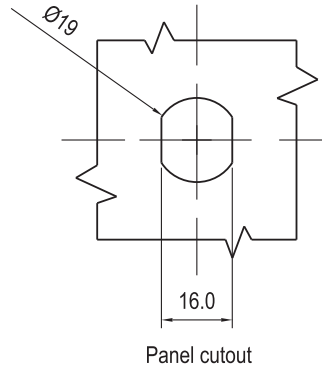
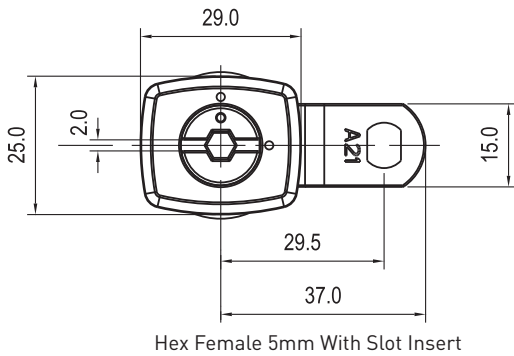
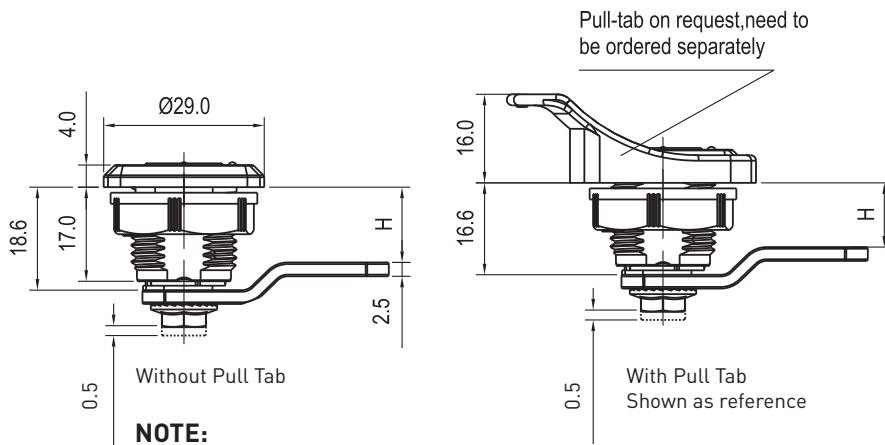


Grip Range MIN – MAX

Shaft Style	Cylinder Style	without Pull Tab		with Pull Tab		Part #
		Cam forward	Cam reversed	Cam forward	Cam reversed	
Long Shaft	Hex female 5mm with slot insert	19-28	29-38	17-26	37-36	0811025
		14-23	34-43	17-21	32-34	0811026
		9-18	39-48	7-16	37-46	0811027
	24-33 Flat Cam		22-31 Flat Cam		0811028	
	Tubular	19-28	29-38	17-26	37-36	0810707
		14-23	34-43	17-21	32-34	0850204
9-18		39-48	7-16	37-46	0850205	
		24-33		22-31	0850206	

VIBRATION RESISTANT QUARTER TURN LOCKS

DESCRIPTION	For easy and secure latching and locking of doors and flaps. Wide range of cams and accessories.
MATERIAL	Die-cast zinc Housing and pull: PA Cam: Mild Steel
SURFACE	Black powder coated / chrome plated Cam: Zinc plated
SPECIALS	Right and left

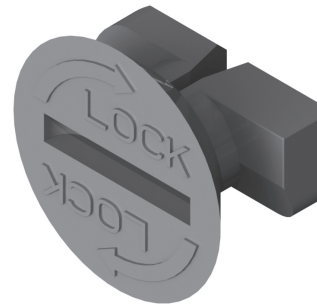
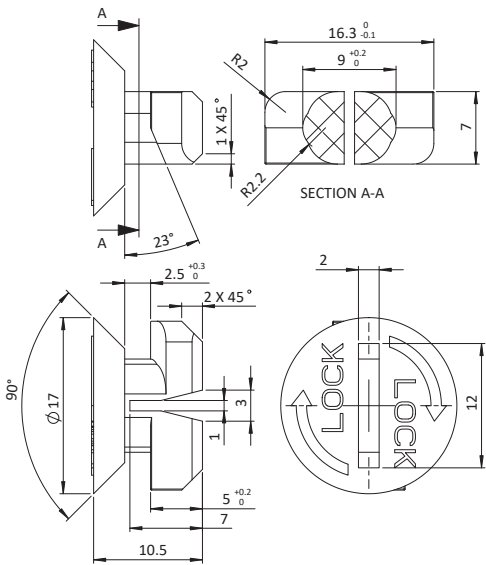


Grip Range MIN - MAX

Shaft Style	Cylinder Style	without Pull Tab		with Pull Tab		Part #
		Cam forward	Cam reversed	Cam forward	Cam reversed	
Short Shaft	Hex female 5mm with slot insert	13.6	23.6	11.6	21.6	0811029
		8.6	28.6	6.6	26.6	0811030
		3.6	33.6	1.6	31.6	0811031
		18.6		22-31		0811032

ECONOMICAL QUARTER TURNS

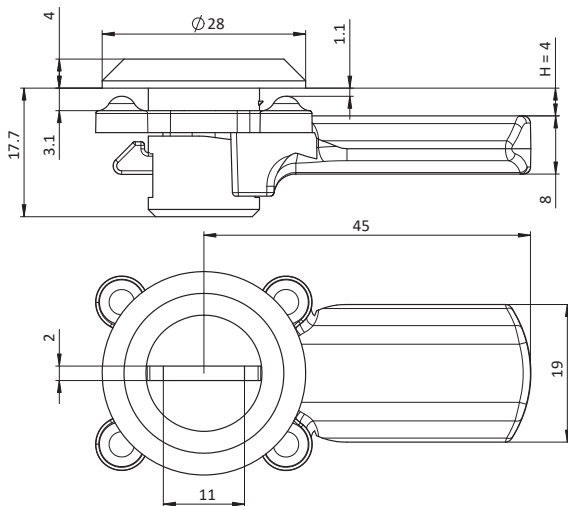
DESCRIPTION	For easy and secure latching and locking of doors and flaps. Wide range of inserts, cams, and accessories.
MATERIAL	Hostaform POM C13021 Color RAL 7042 Gray
SPECIALS	Right and left



Drive Style
 2 x 12 Slot

Part #
0810534CP01

DESCRIPTION	For easy and secure latching and locking of doors and flaps. Wide range of inserts, cams, and accessories.
MATERIAL	Housing: PA6 30 Cam: Zinc plated spring steel
SPECIALS	Right and left IP65 / NEMA 4



Other H dimensions available upon request

- Tool-less installation
- 90 Degree stop



Panel Cutout

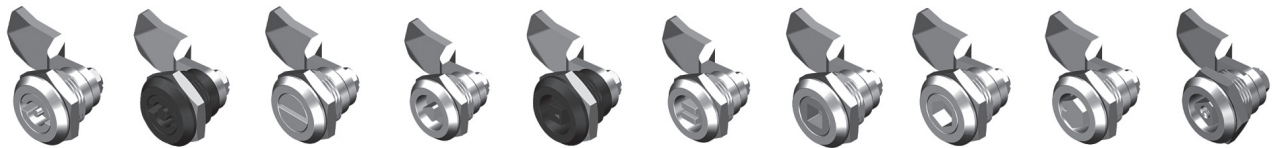
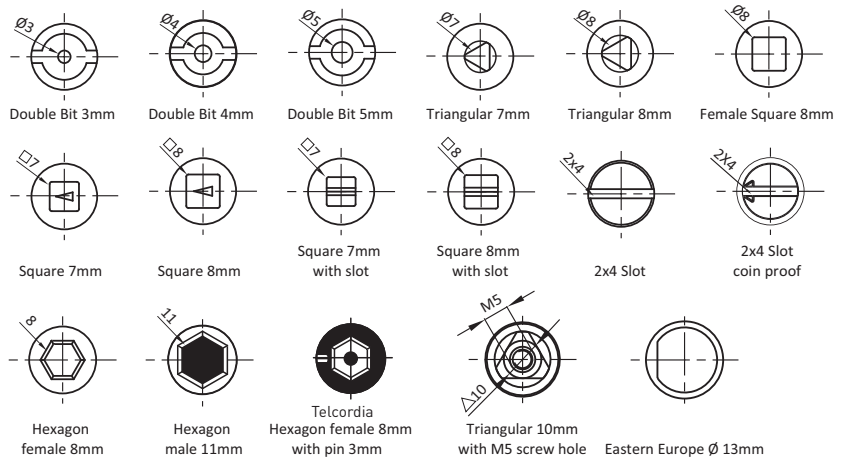
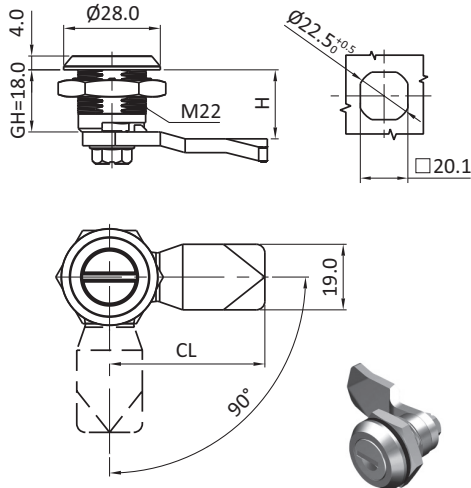
Drive Style
 2 x 16 Slot

Part #
0814601-04

QUARTER TURN LOCK INDUSTRY STANDARD

DESCRIPTION	For easy and secure latching and locking of doors and flaps. Wide range of inserts, cams, and accessories.
MATERIAL	Die-cast zinc / 304 and 316 stainless steel / PA
SURFACE	Black powder coated / chrome plated
SPECIALS	Right and left IP65 / NEMA 4

Panel Cutout



INDUSTRY STANDARD

Insert Type	Die-cast Zinc, black powder coated	Die-cast Zinc, chrome plated	PA Housing, Black with Die-cast Zinc Insert, Black Powder Coat	SS 304	SS 316
Double bit 3mm	0810142	0810124	0810534	0810159	
Double bit 4mm	0810143	0810125	0810535	0810160	
Double bit 5mm	0810144	0810126	0810536		0810161
Slot 2 x 4	0810145	0810127	0810537		0810127E
Slot 2 x 4 Coin Proof	0810145S01	0810145S02	0810538		
Triangular 7mm	0810146	0810128	0810539	0810162	
Triangular 8mm	0810147	0810129	0810540	0810163	
Square 6mm	0810554	0810555	0810541		
Square 7mm	0810148	0810130	0810542	0810164	
Square 8mm	0810149	0810131	0810543	0810165	
Square with slot 7mm	0810150	0810132	0810544		
Square with slot 8mm	0810151	0810133	0810545		
Female square 7mm	0810152	0810134	0810546		
Female hexagon 8mm	0810153	0810135	0810547		
Female hexagon 9mm	0810153S01	0810135S01	0810548		
Female hexagon 10mm	0810561	0810560	0810549		
Telcordia Female hexagon 8mm with 3 mm pin	0810154	0810136	0810550		0810154E
Male hexagon 11mm	0810155	0810137	0810551		
Eastern Europe 13mm	0810556	0810557	0810552		
Triangular with M5 Screw Hole 10mm	0810558	0810559	0810553		
Keyed FH333	0810141	0810123			0810123E
Keyed FH751	0810141FH751	0810123FH751			

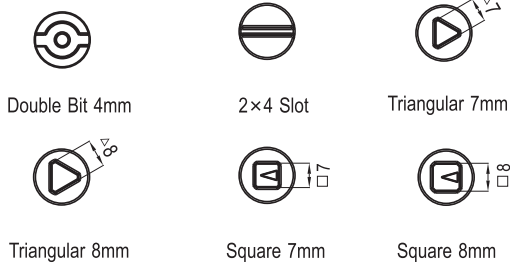
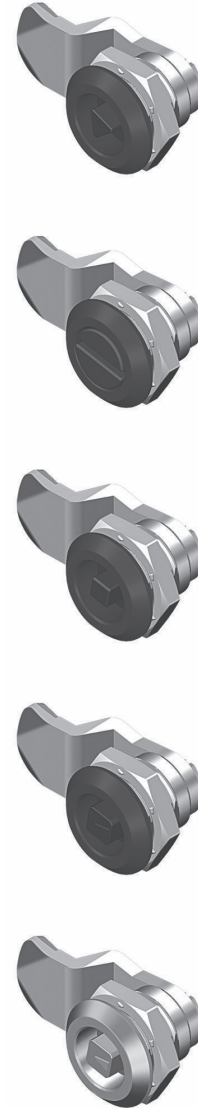
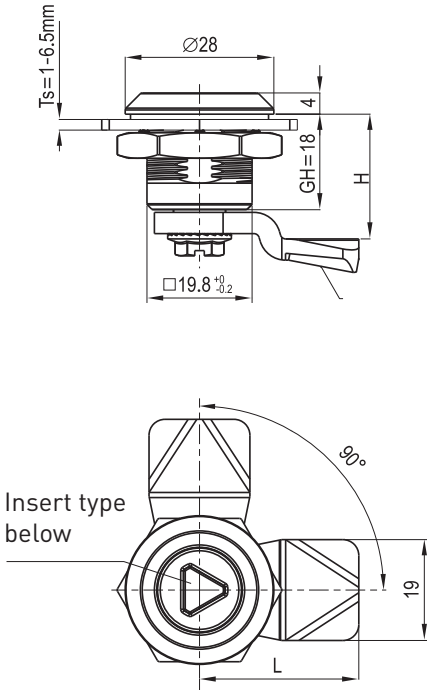
Compatible cams see pages 48-49, 238-239
 Chapter 5 and 9 for accessories

Custom Quarter Turns Available

QUARTER TURN LOCKS VIBRATION RESISTANT



DESCRIPTION	For easy and secure latching and locking of doors and flaps. Wide range of inserts, cams, and accessories.
MATERIAL	Die-cast zinc
SURFACE	Black powder coated / chrome plated
SPECIALS	Right and left IP65 / NEMA 4



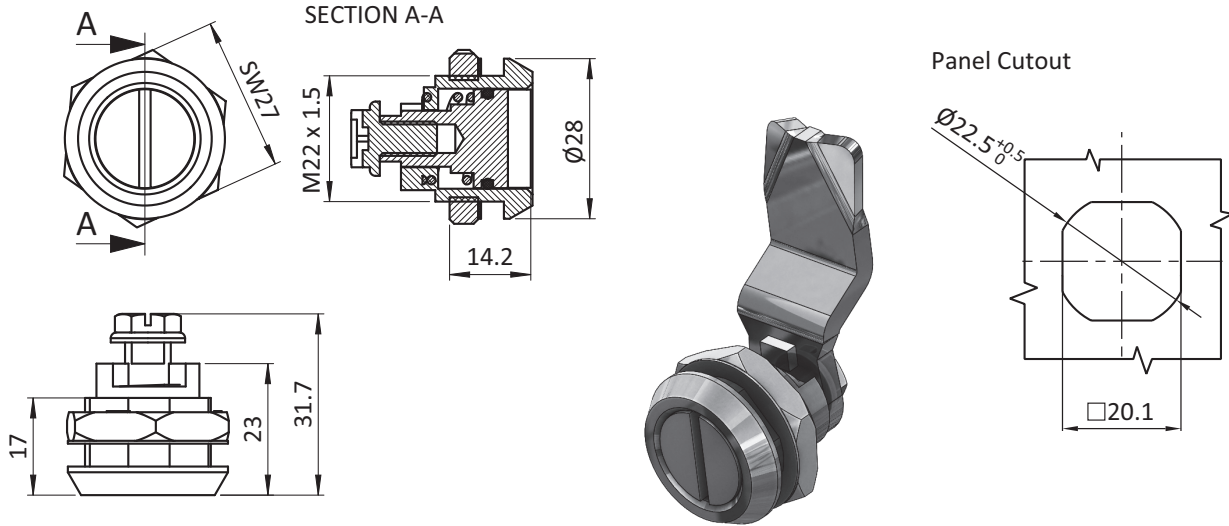
Panel Cutout

Insert Type	Die-cast Zinc, black powder coated	Die-cast Zinc, chrome plated
Double Bit 4mm	0850207	0850213
Slot 2mm x 4mm	0850208	0850214
Triangular 7mm	0850209	0850215
Triangular 8mm	0850210	0850216
Square 7mm	0850211	0850217
Square 8mm	0850212	0850218

Compatible cams see pages 48-49, 238-239
 Chapter 5 and 9 for accessories

SPRING STYLE QUARTER TURN LOCKS

DESCRIPTION	For easy and secure latching and locking of doors and flaps. Wide range of cams and accessories.
MATERIAL	316 SS



Spring Style Quarter Turn Locks

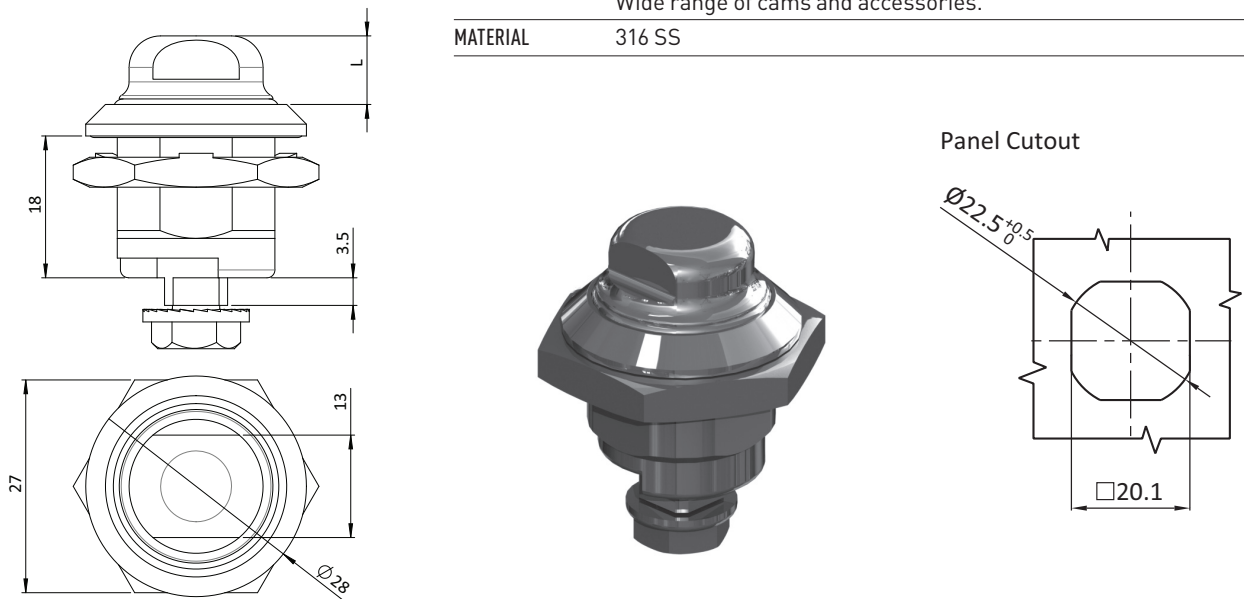
2 x 4 slot

Stainless Steel

0810127ES01

HYGIENIC QUARTER TURN LOCKS

DESCRIPTION	For easy and secure latching and locking of doors and flaps. Wide range of cams and accessories.
MATERIAL	316 SS



L(mm)

Key

Stainless Steel

SW13 INSERT

12.5

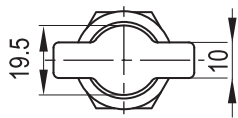
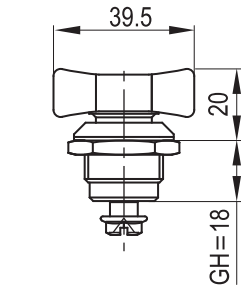
0812150EKEY

0812150E

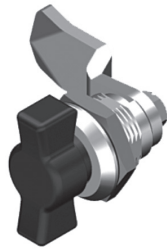
17.6

0812150ES01

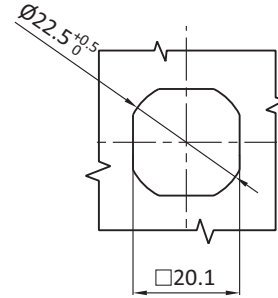
WING KNOB QUARTER TURN LOCKS



Wingknob



Panel Cutout



DESCRIPTION	For easy and secure latching and locking of doors and flaps. Wide range of inserts, cams, and accessories.
MATERIAL	Housing: Die-cast zinc Insert: PA6 30 Cam: Mild steel
SURFACE	Housing: Black powder coated / chrome plated Cam: Zinc plated
SPECIALS	Right and left

Quarter Turn Locks

Wing knob

Die-cast Zinc,
black powder coated

0810156

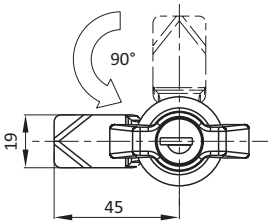
Die-cast Zinc,
chrome plated

0810138

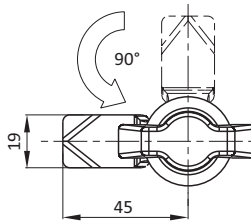
Compatible cams see pages 48-49, 238-239
Chapter 5 and 9 for accessories

DESCRIPTION	For easy and secure latching and locking of doors and flaps. Wide range of inserts, cams, and accessories.
MATERIAL	Die-cast zinc / 316 SS
SURFACE	Black powder coated / chrome plated
SPECIALS	Right and left Keyed different on request FH751 Key code on request

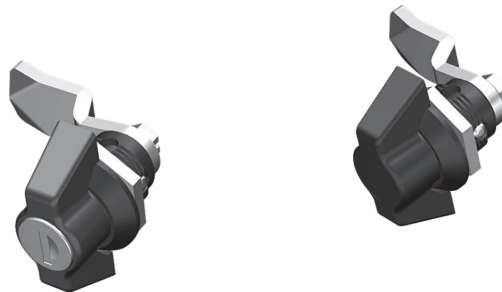
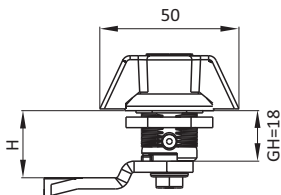
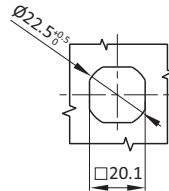
Key Locking



Non-locking



Panel Cutout



Wing Knob Quarter Turn Locks

FH333 Key locking

Die-cast Zinc,
black powder coated

0810168

Die-cast Zinc,
chrome plated

0810166

316 SS

0810166E

Non-locking

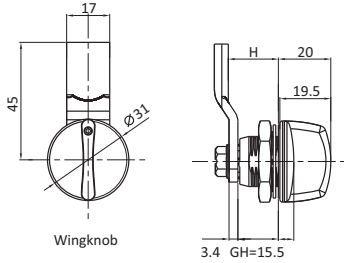
0810169

0810167

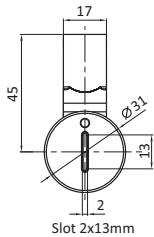
0810167E

Compatible cams see pages 48-49, 238-239
Chapter 5 and 9 for accessories

LOW PROFILE QUARTER TURN LOCKS

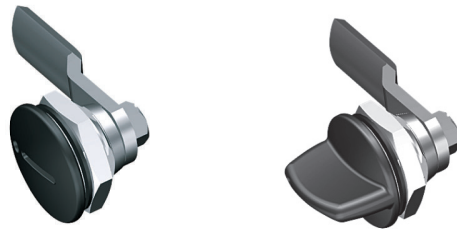
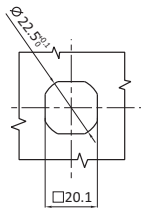


Wingknob



Slot 2x13mm

Panel cutout



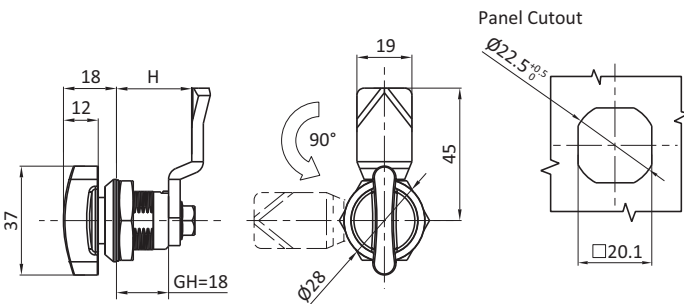
DESCRIPTION	For easy and secure latching and locking of doors and flaps. Wide range of cams and accessories.
MATERIAL	Die-cast zinc Cam: Mild steel
SURFACE	Black powder coated / chrome plated Cam: Zinc plated
SPECIALS	Right and left IP65 / NEMA 4

Insert Type	Die-cast Zinc, black powder coated	Die-cast Zinc, chrome plated
Short Wing Knob	0811017	0811020
Tall Wing Knob	0811018	0811021
Slot 2 x 4	0811019	0811022

Compatible Custom Style A cams see pages 237
 Chapter 5 and 9 for accessories

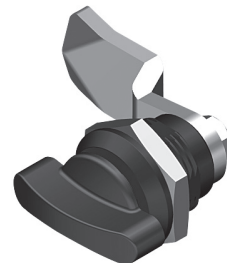
WING KNOB QUARTER TURN LOCKS

DESCRIPTION	For easy and secure latching and locking of doors and flaps. Wide range of cams and accessories.
MATERIAL	Die-cast zinc/316 SS
SURFACE	Black powder coated / chrome plated
SPECIALS	Right and Left IP65 / NEMA 4



Quarter Turn Lock Small Wing

Insert Type



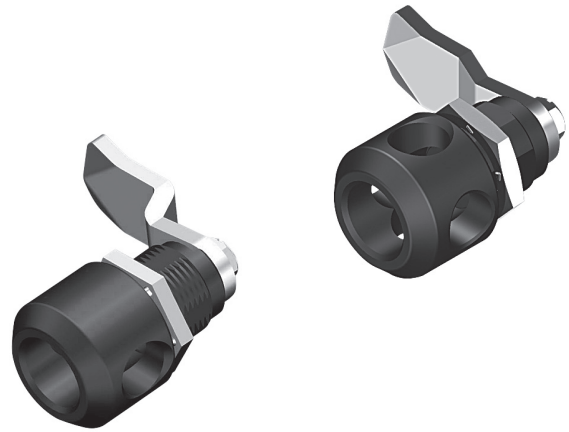
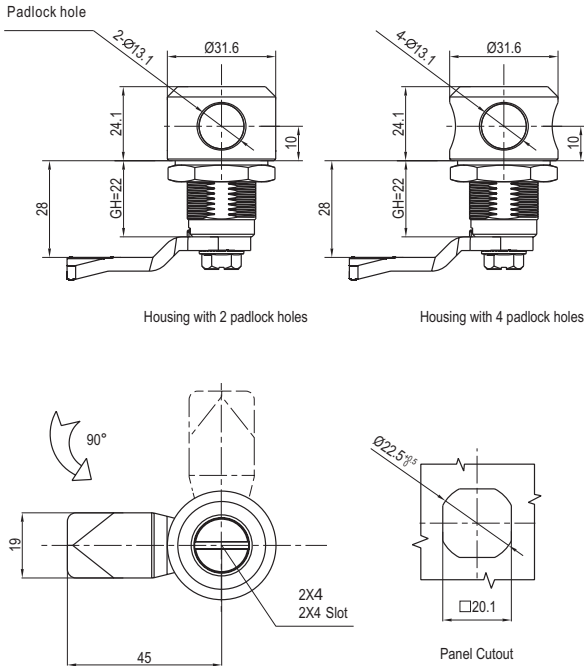
Insert Type	Die-cast Zinc, black powder coated	Die-cast Zinc, chrome plated
Small wing	0810725	0810726

Compatible cams see pages 48-49, 238-239
 Chapter 5 and 9 for accessories



PAD LOCK COMPATIBLE QUARTER TURN LOCKS

DESCRIPTION	For easy and secure latching and locking of doors and flaps with padlock option. Wide range of inserts, cams, and accessories. Two and four padlock holes.
MATERIAL	Die-cast zinc / stainless steel
SURFACE	Black powder coated
SPECIALS	Right and left



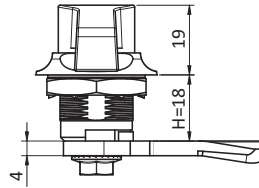
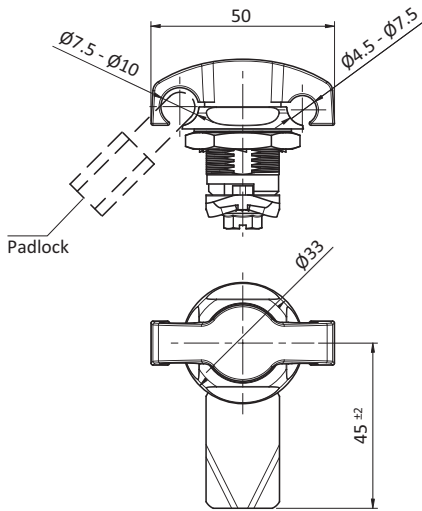
Pad Lock Compatible Quarter Turn Locks	Insert Type	GH = 22 Die-cast Zinc black powder coated	GH = 22 Full 316 SS
Housing with two padlock holes	Double bit 3mm	0810571	0810579
	Double bit 4mm	0810572	0810580
	Double bit 5mm	0810573	0810581
	Slot 2 X 4	0810574	0810582
	Triangular 7mm	0810575	0810583
	Triangular 8mm	0810576	0810584
	Square 7mm	0810577	0810585
Housing with four padlock holes	Square 8mm	0810578	0810586
	Double bit 3mm	0812142	0812142E
	Double bit 4mm	0812143	0812143E
	Double bit 5mm	0812144	0812144E
	Slot 2 X 4	0812145	0812145E
	Triangular 7mm	0812146	0812146E
	Triangular 8mm	0812147	0812147E
	Square 7mm	0812148	0812148E
Square 8mm	0812149	0812149E	

Compatible cams see pages 48-49, 238-239
 Chapter 5 and 9 for accessories

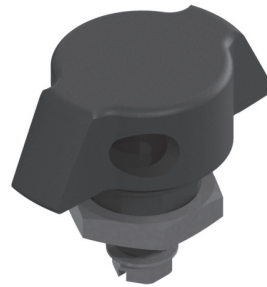
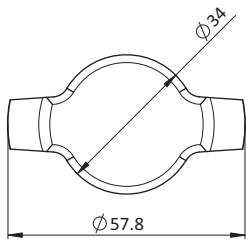
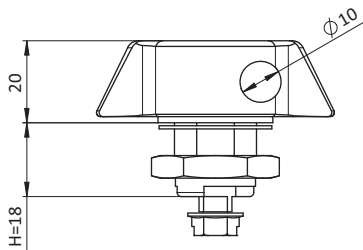
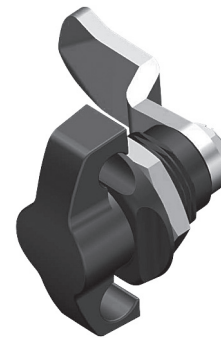
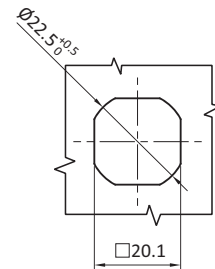


PAD LOCK COMPATIBLE QUARTER TURN LOCKS

DESCRIPTION	For easy and secure latching and locking of doors and flaps. Wide range of cams and accessories.
MATERIAL	Die-cast zinc / stainless steel
SURFACE	Black powder coated / chrome plated
SPECIALS	Right and left IP65 / NEMA 4



Panel Cutout

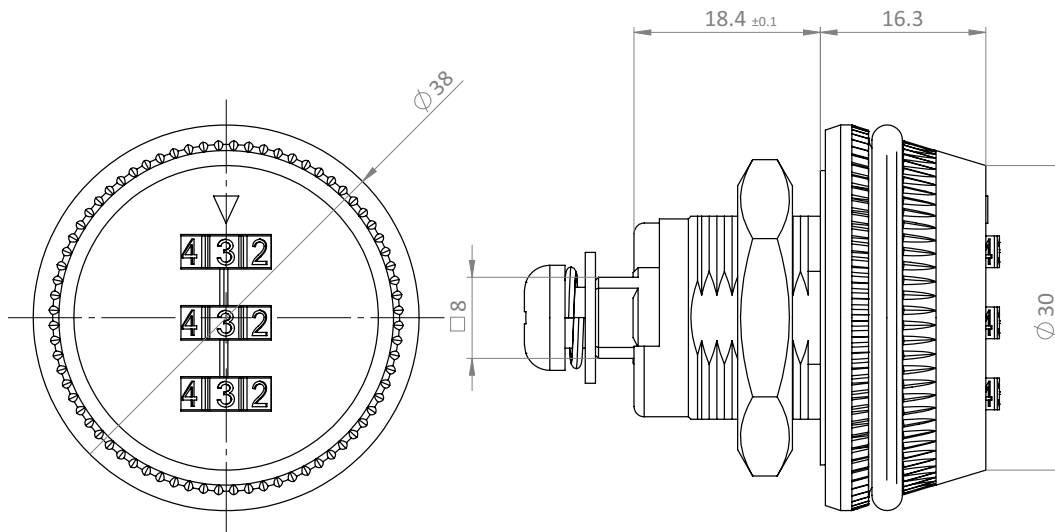


	Die-cast Zinc, black powder coated	Die-cast Zinc, chrome plated	Stainless steel
Dual Padlock Hole	0810182	0810376	0810182E
Dual Padlock Hole Keyed Fh333	0814706		
Single Padlock Hole	0810182S01		

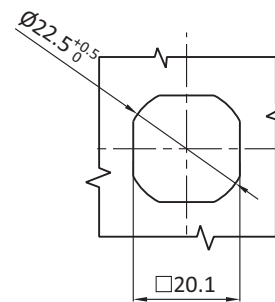
Compatible cams see pages 48-49, 238-239
 Chapter 5 and 9 for accessories

COMBINATION QUARTER TURN

DESCRIPTION	For easy and secure latching and locking of doors and flaps. Wide range of inserts, cams, and accessories.
MATERIAL	Die-cast zinc
SURFACE	Black E-Coat
SPECIALS	Right and left



Panel Cutout



Spring Style Quarter Turn Locks

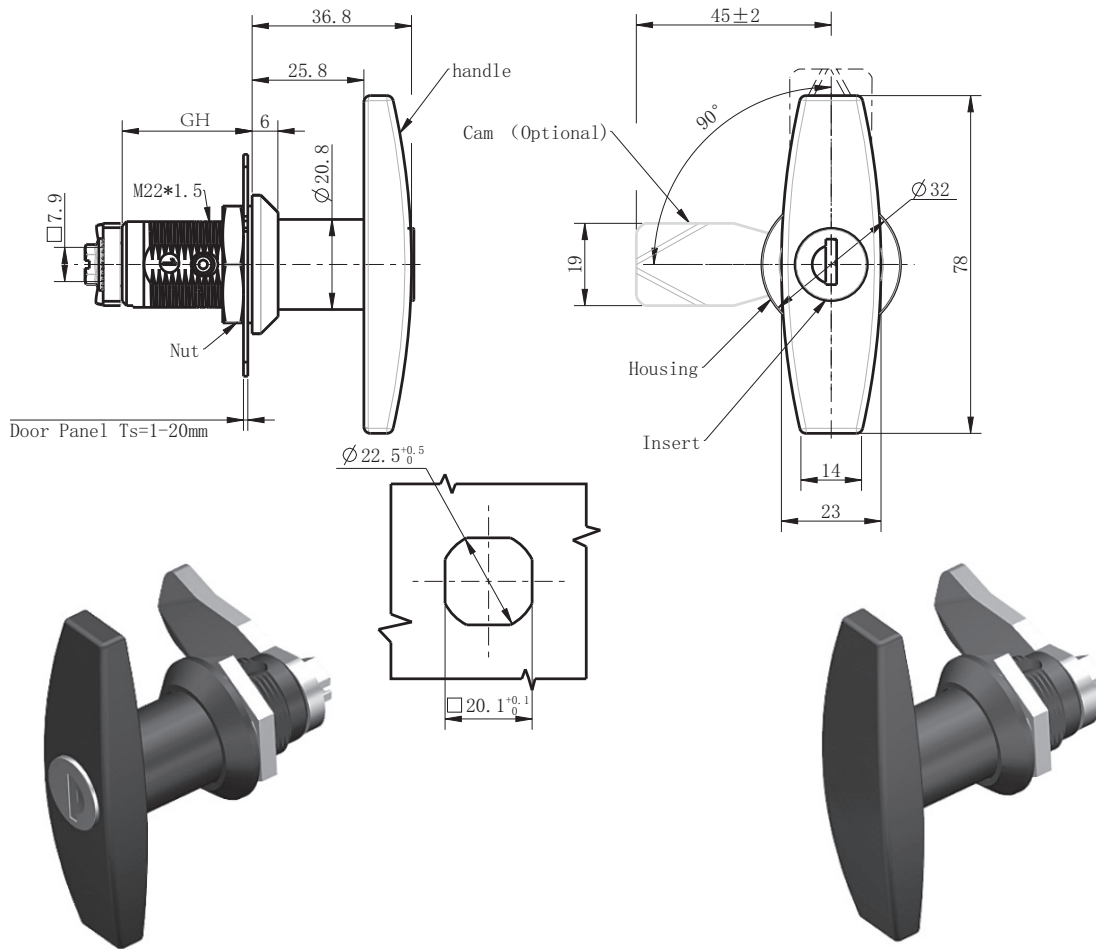
3 Pin Combination

Stainless Steel

0812141

T-HANDLE QUARTER TURN LOCKS

DESCRIPTION	For easy and secure latching and locking of doors and flaps. Wide range of inserts, cams, and accessories.
MATERIAL	Die-cast zinc / stainless steel / PA
SURFACE	Black powder coated / chrome plated
SPECIALS	Right and left IP65 / NEMA 4



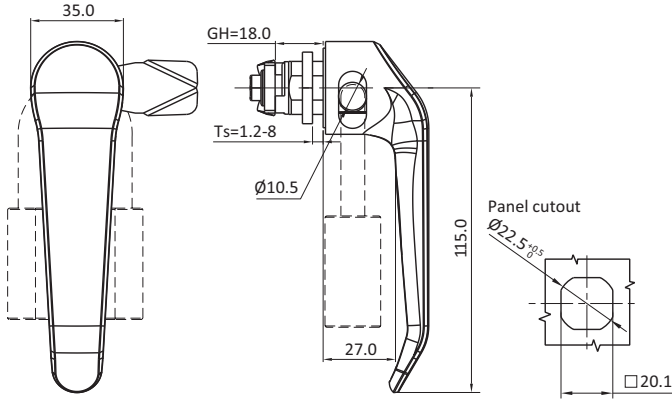
T-Handle Quarter Turn Locks	GH	Die-cast Zinc, black powder coated	Die-cast Zinc, chrome plated	PA	316 Stainless Steel
Key locking FH333		0810103	0810105	0810002	0810105E
Non-locking	18	0810104	0810106	0810001	0810107
Phillips Insert		0810103S01			
Key locking FH333		0810103S02	0810105S01		
Non-locking	30	0810104S01	0810106S02		
Key locking FH333		0810103S05			
Non-locking	40	0810104S04			
Key locking FH333		0810103S03	0810105S02		
Non-locking	50	0810104S02	0810106S03		
Key locking FH333		0810103S04	0810105S03		
Non-locking	60	0810104S03	0810106S04		

Compatible cams see pages 48-49, 238-239
 Chapter 5 and 9 for accessories
 Keyed differently on request
 FH751 key code on request



L - HANDLE LOCK

DESCRIPTION	For easy and secure latching and locking of doors and flaps. Wide range of cams and accessories.
MATERIAL	316 SS, Die Cast zinc
SPECIALS	Pad lock compatible



Quarter Turn Locks

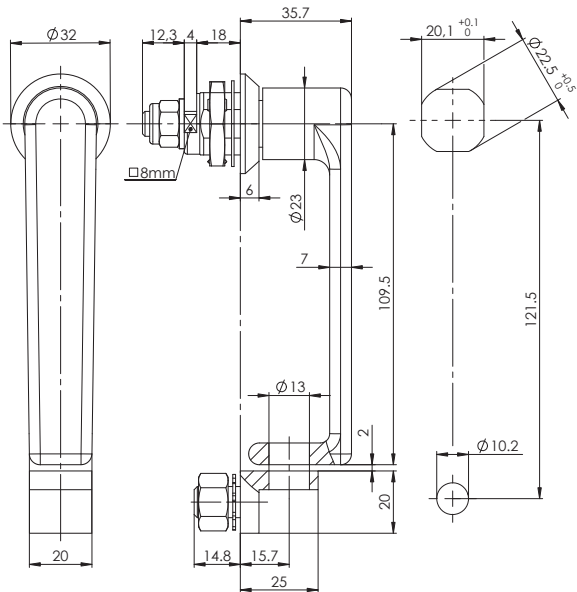
Die cast Zinc/Black Powder coat

316 Stainless Steel

0811038501

0811038

DESCRIPTION	For easy and secure latching and locking of doors and flaps. Wide range of cams and accessories.
MATERIAL	316 SS, Die Cast zinc
SPECIALS	Pad lock compatible



Quarter Turn Locks

Die cast Zinc/Black Powder coat

316 Stainless Steel

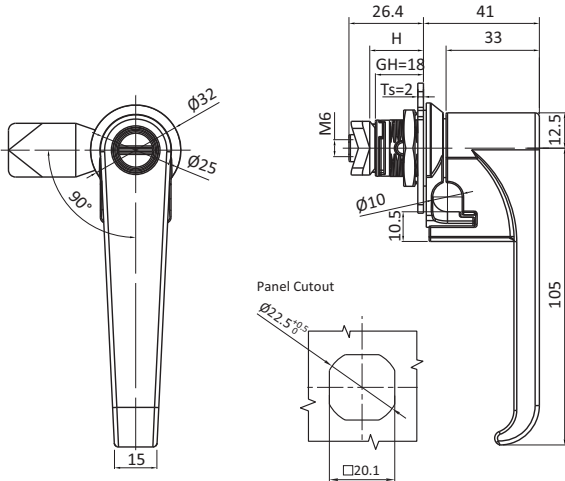
0810393

0810393E



PAD LOCK COMPATIBLE L-HANDLE QUARTER TURN LOCKS

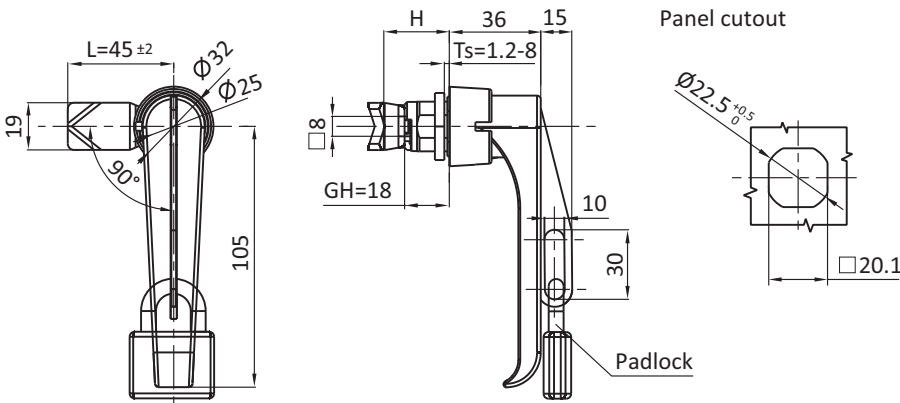
DESCRIPTION	For easy and secure latching and locking of doors and flaps. Wide range of inserts, cams, and accessories.
MATERIAL	Die-cast zinc
SURFACE	Black powder coated / chrome plated
SPECIALS	Right and left



Pad Lock Compatible L-Handle Quarter Turn Locks	Die-cast Zinc, black powder coated	Die-cast Zinc, chrome plated
2 x 4 coin proof	0810114S03	0810437
Non-locking	0810114S04	0810438

Compatible cams see pages 48-49, 238-239
 Chapter 5 and 9 for accessories

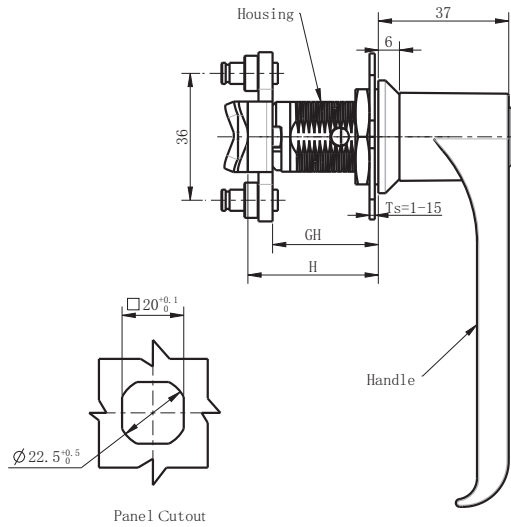
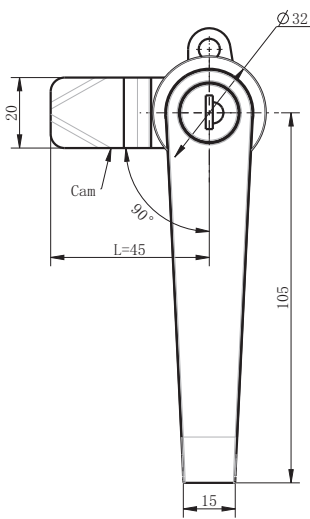
DESCRIPTION	For easy and secure latching and locking of doors and flaps. Wide range of inserts, cams, and accessories.
MATERIAL	Die-cast zinc
SURFACE	Black powder coated / chrome plated
SPECIALS	Right and left



L-Handle Quarter Turn Locks	Die-cast Zinc, black powder coated	Die-cast Zinc, chrome plated
	0810117	0810118

L-HANDLE QUARTER TURN LOCKS

DESCRIPTION	For easy and secure latching and locking of doors and flaps. Wide range of inserts, cams, and accessories.
MATERIAL	Die-cast zinc / stainless steel
SURFACE	Black powder coated / chrome plated
SPECIALS	Right and left IP65 / NEMA 4



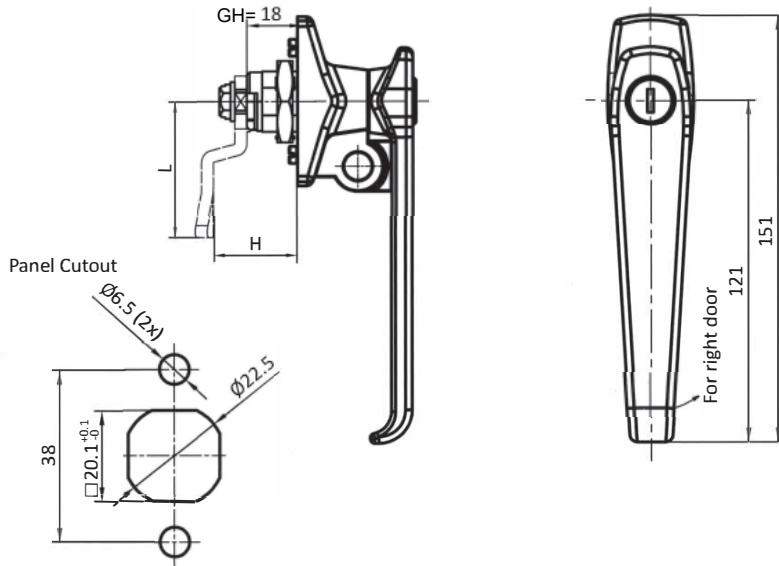
L-Handle Quarter Turn Locks	GH	Die-cast Zinc, black powder coated	Die-cast Zinc, chrome plated	Stainless Steel
FH333 Key locking	18	0810112	0810114	0810114E
Non-locking		0810113	0810115	0810116
FH333 Key locking	30	0810112GL30	0810114GL30	
Non-locking		0810113GL30	0810115GL30	
FH333 Key locking	50	0810112GL50	0810114GL50	
Non-locking		0810113GL50	0810115GL50	
FH333 Key locking	60	0810112GL60		
Non-locking		0810113GL60		

Compatible cams see pages 48-49, 238-239
 Chapter 5 and 9 for accessories
 Keyed differently on request
 CH751 key code on request



PAD LOCK COMPATIBLE L-HANDLE QUARTER TURN LOCKS

DESCRIPTION	For easy and secure latching and locking of doors and flaps. Wide range of cams, and accessories.
MATERIAL	Die-cast zinc
SURFACE	Black powder coated / chrome plated

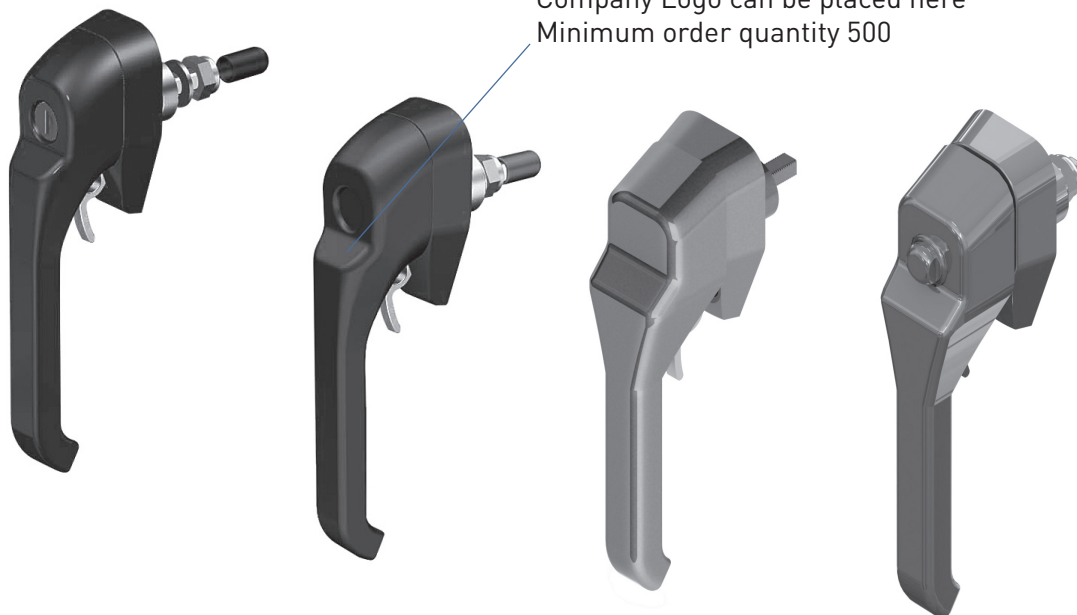
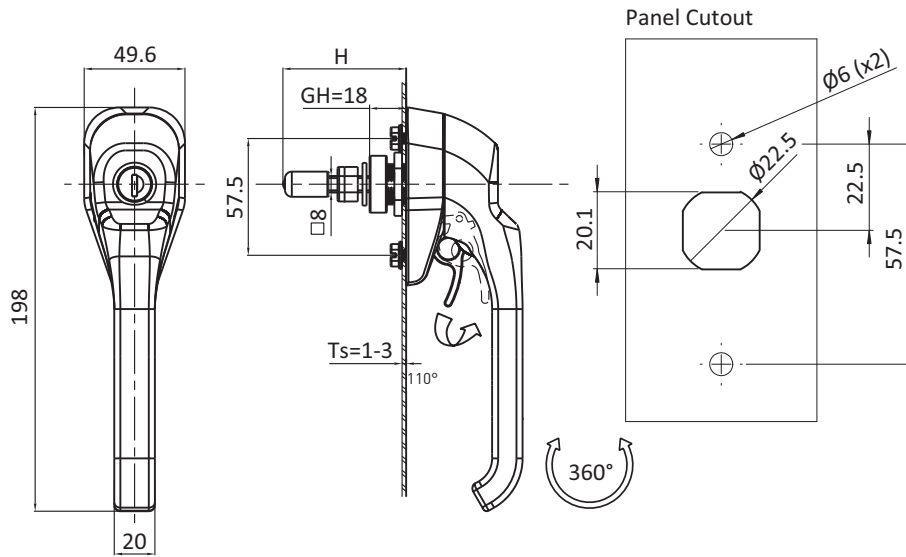


Pad Lock Compatible L-Handle Quarter Turn Locks	Die-cast Zinc, black powder coated	Die-cast Zinc, chrome plated
Key FH333	0810442	0810439
Key FH200	0810443	0810440
Non-locking	0810444	0810441

Compatible cams see pages 48-49, 238-239
 Chapter 5 and 9 for accessories

L-HANDLE QUARTER TURN LOCK WITH DEFEATER FUNCTION

DESCRIPTION	For easy and secure latching and locking of doors and flaps. Two stage unlocking, turn key and then trigger pull. Wide range of inserts, cams, and accessories.
MATERIAL	Die-cast zinc, stainless steel
SURFACE	Black powder coated / chrome plated
SPECIALS	Right and Left Pad lock compatible

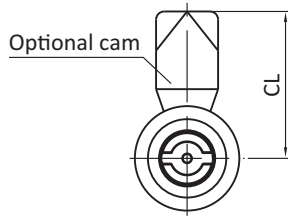
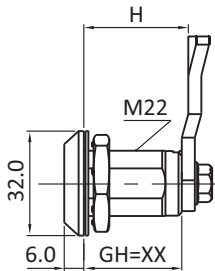


L-Handle Quarter Turn Lock with Defeater Function	Die-cast Zinc, black powder coated	316 SS	Handle: PA6 30 Housing: Die Cast Zinc - Black
Key locking (FH333)	0810112501	0810112502	
Key Locking (FH333) with no defeater	0810112503		
Non-locking	0810113501	0810116ES02	0810113503
2 x 4 Slot	0810117501	0810117501E	0810117502
Clean Line Insert		0810117ES02	

Compatible cams see pages 48-49, 238-239

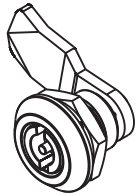
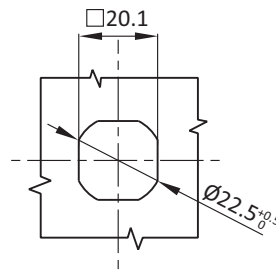
QUARTER TURN LOCKS EXTENDED HOUSING

DESCRIPTION	For easy and secure latching and locking of doors and flaps with padlock option. Wide range of inserts, cams, and accessories. Two and four padlock holes.
MATERIAL	Die-cast zinc / stainless steel
SURFACE	Black powder coated / Chrome plated
SPECIALS	Right and left

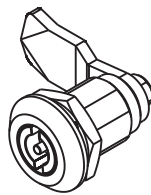


Cam Shown As Reference

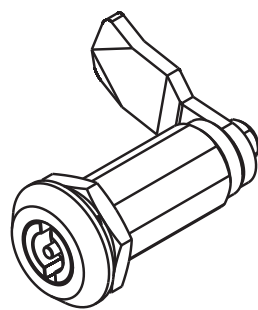
Panel cutout



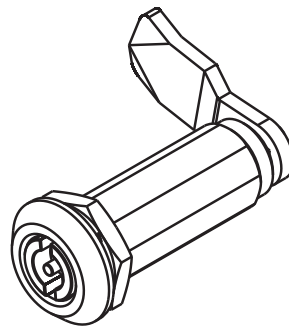
GH=18



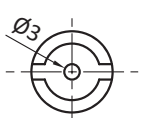
GH=30



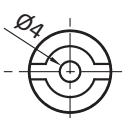
GH=50



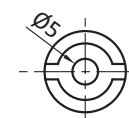
GH=60



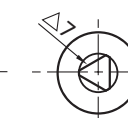
Double Bit 3mm



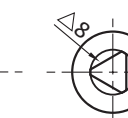
Double Bit 4mm



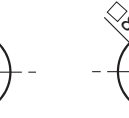
Double Bit 5mm



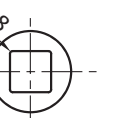
Triangular 7mm



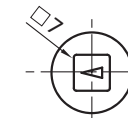
Triangular 8mm



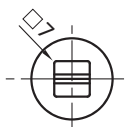
Female Square 8mm



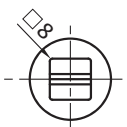
Square 7mm



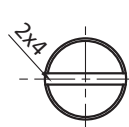
Square 8mm



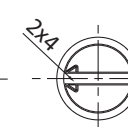
Square 7mm with slot



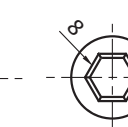
Square 8mm with slot



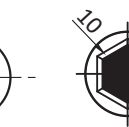
2x4 Slot



2x4 Slot coin proof



Hexagon female 8mm



Hexagon male 10mm



Hexagon female 8mm with pin 3mm



Triangular 10mm with M5 screwhole

Quarter Turn Locks	Cylinder type	Die-cast Zinc, black powder coated	Die-cast Zinc, chrome plated	PA Housing and die cast insert	Full 316 SS
Housing GH = 30	Double bit 3mm	0810733	0810734	0810735	0810736
	Double bit 4mm	0810741	0810742	0810743	0810744
	Double bit 5mm	0810749	0810750	0810751	0810752
	Slot 2 x 4	0810757	0810758	0810759	0810760
	Slot 2 x 4 coin proof	0810765	0810766	0810767	0810768
	Triangular 7mm	0810773	0810774	0810775	0810776
	Triangular 8mm	0810781	0810782	0810783	0810784
	Square 7mm	0810789	0810790	0810791	0810792
	Square 8mm	0810797	0810798	0810799	0810800
	Square 7mm with slot	0810805	0810806	0810807	0810808
	Square 8mm with slot	0810813	0810814	0810815	0810816
	Square 8mm female	0810821	0810822	0810823	0810824
	Hexagon 8mm female	0810829	0810830	0810831	0810832
	Hexagon 9mm female	0810837	0810838	0810839	0810840
	Hexagon 8mm female with 3mm pin	0810845	0810846	0810847	0810848
	Hexagon male 10mm	0810853	0810854	0810855	0810856
	Triangular 10mm with M5 screw hole	0810861	0810862	0810863	0810864
	Housing GH = 36	Double bit 3mm	0810865	0810866	0810867
Double bit 4mm		0810873	0810874	0810875	0810876
Double bit 5mm		0810881	0810882	0810883	0810884
Slot 2 x 4		0810889	0810890	0810891	0810892
Slot 2 x 4 coin proof		0810897	0810898	0810899	0810900
Triangular 7mm		0810905	0810906	0810907	0810908
Triangular 8mm		0810913	0810914	0810915	0810916
Square 7mm		0810921	0810922	0810923	0810924
Square 8mm		0810929	0810930	0810931	0810932
Square 7mm with slot		0810937	0810938	0810939	0810940
Square 8mm with slot		0810945	0810946	0810947	0810948
Square 8mm female		0810953	0810954	0810955	0810956
Hexagon 8mm female		0810961	0810962	0810963	0810964
Hexagon 9mm female		0810969	0810970	0810971	0810972
Hexagon 8mm female with 3mm pin		0810977	0810978	0810979	0810980
Hexagon male 10mm		0810985	0810986	0810987	0810988
Triangular 10mm with M5 screw hole		0810993	0810994	0810995	0810996
Housing GH = 40		Double bit 3mm	0810869	0810870	0810871
	Double bit 4mm	0810877	0810878	0810879	0810880
	Double bit 5mm	0810885	0810886	0810887	0810888
	Slot 2 x 4	0810893	0810894	0810895	0810896
	Slot 2 x 4 coin proof	0810901	0810902	0810903	0810904
	Triangular 7mm	0810909	0810910	0810911	0810912
	Triangular 8mm	0810917	0810918	0810919	0810920
	Square 7mm	0810925	0810926	0810927	0810928
	Square 8mm	0810933	0810934	0810935	0810936
	Square 7mm with slot	0810941	0810942	0810943	0810944
	Square 8mm with slot	0810949	0810950	0810951	0810952
	Square 8mm female	0810957	0810958	0810959	0810960
	Hexagon 8mm female	0810965	0810966	0810967	0810968
	Hexagon 9mm female	0810973	0810974	0810975	0810976
	Hexagon 8mm female with 3mm pin	0810981	0810982	0810983	0810984
	Hexagon male 10mm	0810989	0810990	0810991	0810992
	Triangular 10mm with M5 screw hole	0810997	0810998	0810999	08101000

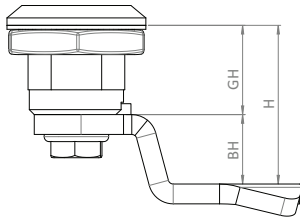
Compatible cams see pages 48-49, 238-239
 Chapter 5 and 9 for accessories

QUARTER TURN LOCKS

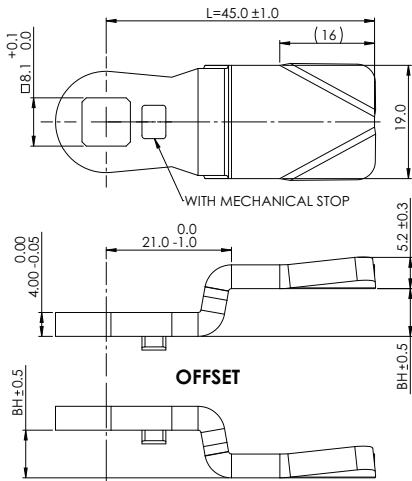
Quarter Turn Locks	Cylinder Type	Die-cast Zinc, black powder coated	Die-cast Zinc, chrome plated
Housing GH = 50	Double bit 3mm	0850043	0850044
	Double bit 4mm	0850047	0850048
	Double bit 5mm	0850051	0850052
	Slot 2 x 4	0850055	0850056
	Slot 2 x 4 coin proof	0850059	0850060
	Triangular 7mm	0850063	0850064
	Triangular 8mm	0850067	0850068
	Square 7mm	0850071	0850072
	Square 8mm	0850075	0850076
	Square 7mm with slot	0850079	0850080
	Square 8mm with slot	0850083	0850084
	Square 8mm female	0850087	0850088
	Hexagon 8mm female	0850091	0850092
	Hexagon 9mm female	0850095	0850096
	Hexagon 8mm female with 3mm pin	0850099	0850100
	Hexagon male 10mm	0850103	0850104
	Triangular 10mm with M5 screw hole	0850107	0850108
Housing GH = 60	Double bit 3mm	0890005	0850046
	Double bit 4mm	0850049	0850050
	Double bit 5mm	0850053	0850054
	Slot 2 x 4	0810400	0850058
	Slot 2 x 4 coin proof	0850061	0850062
	Triangular 7mm	0850065	0850066
	Triangular 8mm	0850069	0850070
	Square 7mm	0850073	0850074
	Square 8mm	0850077	0850078
	Square 7mm with slot	0850081	0850082
	Square 8mm with slot	0850085	0850086
	Square 8mm female	0850089	0850090
	Hexagon 8mm female	0850093	0850094
	Hexagon 9mm female	0850097	0850098
	Hexagon 8mm female with 3mm pin	0850101	0850102
	Hexagon male 10mm	0850105	0850106
	Triangular 10mm with M5 screw hole	0850109	0850110

Compatible cams see pages 48-49, 238-239
 Chapter 5 and 9 for accessories

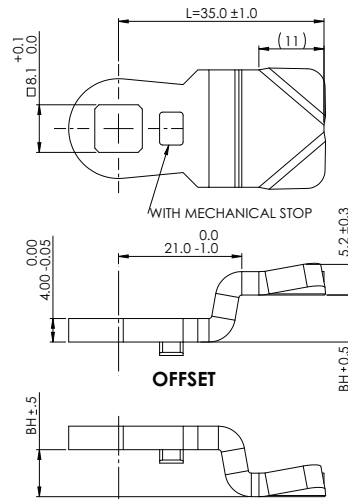
STANDARD QUARTER TURN CAMS



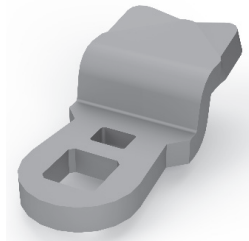
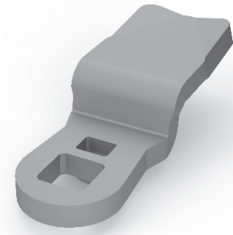
DESCRIPTION	Standard cams for standard quarter turns. Contains 3mm ramps. Cam contains a stop for quarter turns that do not have internal restraints.
MATERIAL	Mild steel, Stainless Steel
SURFACE	Zinc plated
SPECIALS	Other materials and custom cams on request



**REVERSED
 STYLE A**

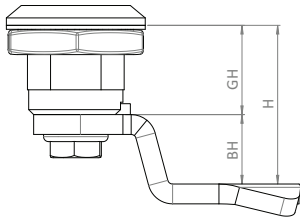


**REVERSED
 STYLE B**

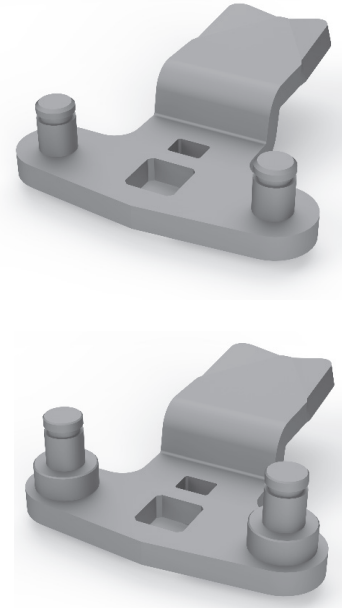
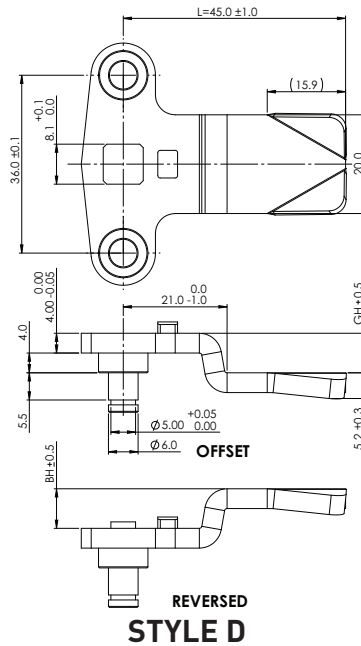
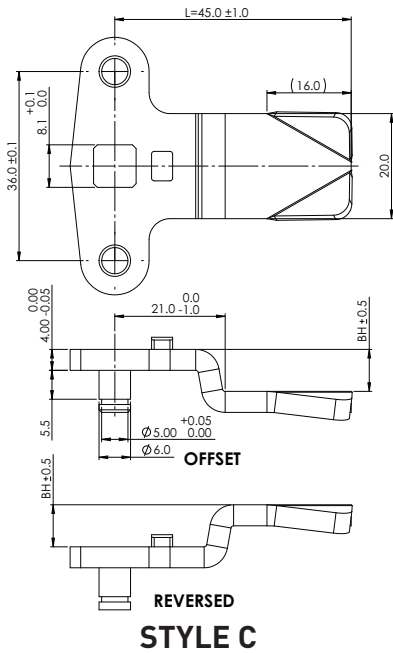


BH	GH = 18 Standard GH = 30 GH = 36 GH = 40 GH = 50 GH = 60						Style A			Style B		
	H = GH + BH						Mild Steel	Stainless Steel	No Stop	Mild Steel	Stainless Steel	No Stop
-16	2	14	20	24	34	44	0810247					
-14	4	16	22	26	36	46	0810248					
-12	6	18	24	28	38	48	0810249	0810249E		0810276		
-10	8	20	26	30	40	50	0810250	0810250E		0810277		
-8	10	22	28	32	42	52	0810251			0810278		
-5	13	25	31	35	45	55	0810252	0810252E		0810279		
-4	14	26	32	36	46	56	0810253	0810253E	0810253S02	0810280		
-2	16	28	34	38	48	58	0810254	0810254E		0810281		
0	18	30	36	40	50	60	0810255	0810255E		0810282		0810282S01
2	20	32	38	42	52	62	0810256	0810256E		0810283	0810283E	
4	22	34	40	44	54	64	0810257	0810257E	0810257S01	0810284	0810284E	0810284S01
6	24	36	42	46	56	66	0810258	0810258E	0810258S01	0810285		
7	25	37	43	47	57	67	0810259		0810259S01	0810286		
8	26	38	44	48	58	68	0810260	0810260E		0810287		0810287S01
10	28	40	46	50	60	70	0810261	0810261E	0810261S01	0810288		
12	30	42	48	52	62	72	0810262	0810262E	0810262S02	0810289		
14	32	44	50	54	64	74	0810263	0810263E				
16	34	46	52	56	66	76	0810264					
17	35	47	53	57	67	77	0810265	0810265E	0810265S01	0810290		
18	36	48	54	58	68	78	0810266	0810266E	0810266S03			
20	38	50	56	60	70	80	0810267	0810267E	0810267S01	0810291		
22	40	52	58	62	72	82	0810268			0810292		
24	42	54	60	64	74	84	0810269		0810269S01	0810293		
26	44	56	62	66	76	86	0810270			0810294		
27	45	57	63	67	77	87	0810271					
29	47	59	65	69	79	89	0810272					
32	50	62	68	72	82	92	0810273					
35	53	65	71	75	85	95	0810274					
37	55	67	73	77	87	97	0810275					

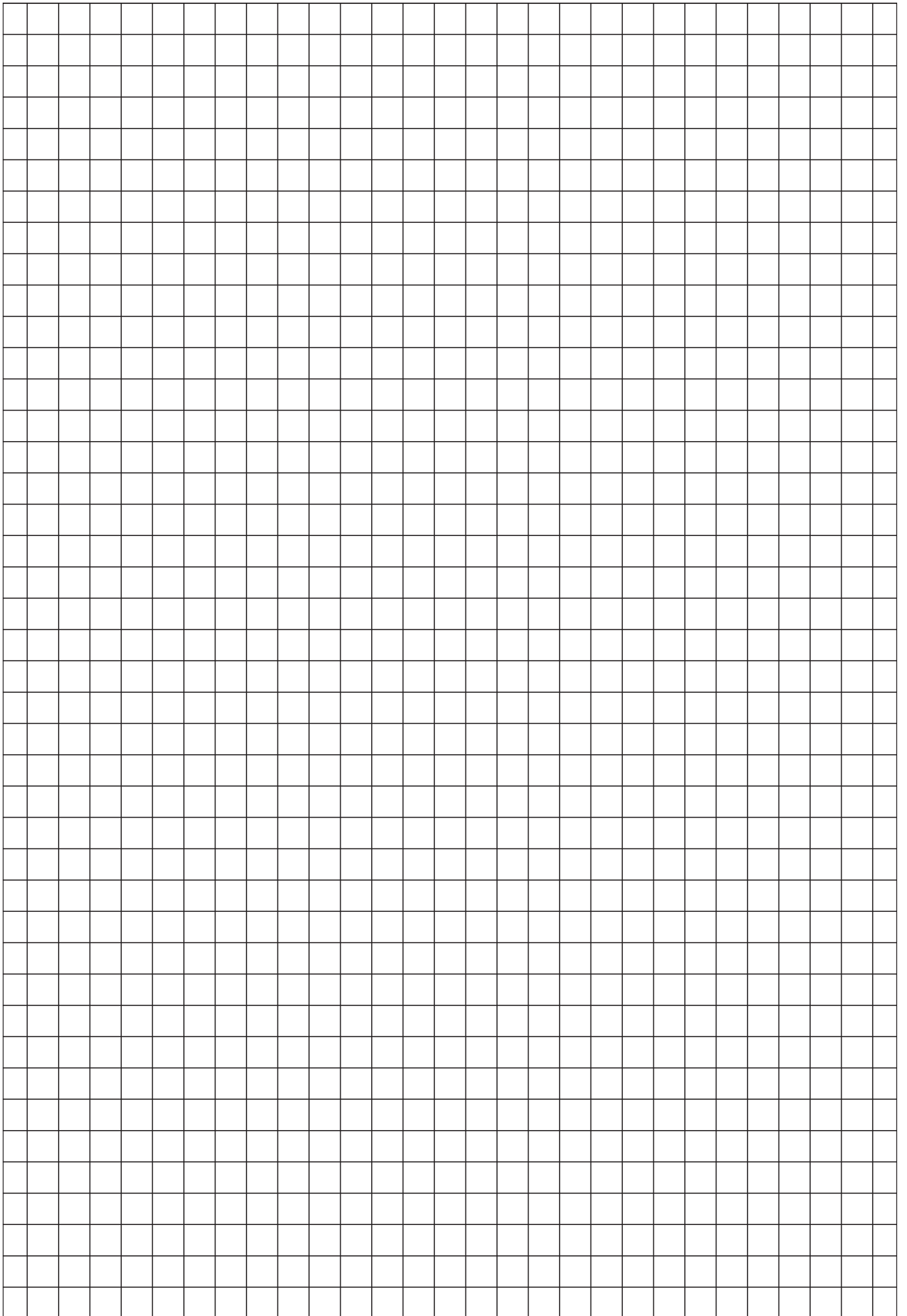
STANDARD QUARTER TURN CAMS



DESCRIPTION	Standard cams for standard quarter turns. Contains 3mm ramps. Cam contains a stop for quarter turns that do not have internal restraints.
MATERIAL	Mild steel, Stainless Steel
SURFACE	Zinc plated
SPECIALS	Other materials and custom cams on request



BH	GH = 18 Standard						Style C			Style D		
	GH = 30	GH = 36	GH = 40	GH = 50	GH = 60	Mild Steel	Stainless Steel	No Stop	Mild Steel	Stainless Steel	No Stop	
	H = GH + BH											
-14	4	16	22	26	36	0810295			0810321			
-12	6	18	24	28	38	0810296			0810322			
-10	8	20	26	30	40	0810297			0810323			
-8	10	22	28	32	42	0810298			0810324	0810324E		
-5	13	25	31	35	45	0810299			0810325			
-4	14	26	32	36	46	0810300			0810326			
-2	16	28	34	38	48	0810301			0810327			
0	18	30	36	40	50	0810302			0810328		0810328S01	
2	20	32	38	42	52	0810303			0810329		0810329S01	
4	22	34	40	44	54	0810304	0810304E	0810304S01	0810330			
6	24	36	42	46	56	0810305	0810305E		0810331		0810331S01	
7	25	37	43	47	57	0810306			0810332		0810332S01	
8	26	38	44	48	58	0810307			0810333		0810333S01	
10	28	40	46	50	60	0810308	0810308E		0810334			
12	30	42	48	52	62	0810309	0810309E		0810335		0810335S02	
14	32	44	50	54	64	0810310	0810310E		0810336		0810336S02	
16	34	46	52	56	66	0810311			0810337			
17	35	47	53	57	67	0810312			0810338			
18	36	48	54	58	68	0810313			0810339			
20	38	50	56	60	70	0810314		0810314S01	0810340			
22	40	52	58	62	72	0810315			0810341			
24	42	54	60	64	74	0810316			0810342			
26	44	56	62	66	76	0810317			0810343			
27	45	57	63	67	77	0810318			0810344			
29	47	59	65	69	79	0810319			0810345			
32	50	62	68	72	82	0810320			0810346			



INDUSTRIAL HARDWARE

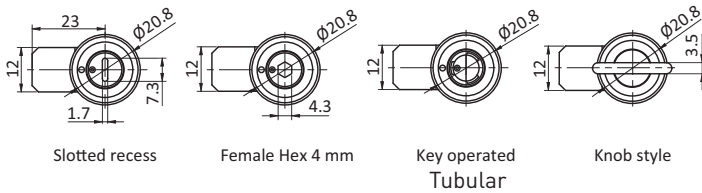
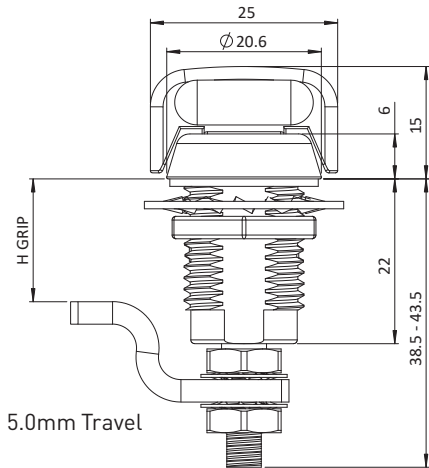
CHAPTER 2: **COMPRESSION LATCHES**



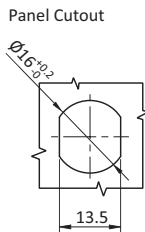
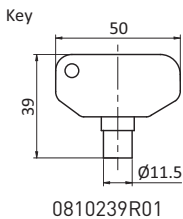
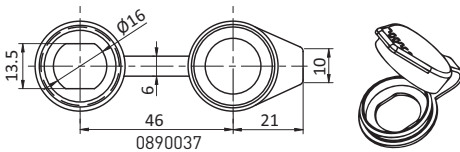
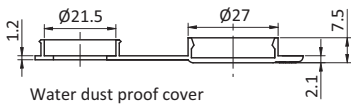
SMALL COMPRESSION LATCHES	52
LARGE COMPRESSION LATCHES	53-56
T-HANDLE COMPRESSION LATCHES - SHORT SHAFT	56
LARGE T-HANDLE COMPRESSION LATCHES	57
T-HANDLE COMPRESSION LATCHES - LONG SHAFT	58
WINGKNOB COMPRESSION LATCHES	58
SQUARE FACE COMPRESSION LATCHES	59-60
HANDLE COMPRESSION LATCHES	61-64
T-HANDLE COMPRESSION LATCHES	65-67
HANDLE COMPRESSION LATCHES	68-69
TRIGGER LATCHES	70-71
DRAW LATCHES	72
OVER-CENTER DRAW LATCHES	73-76
DRAW LATCHES	77
OVER-CENTER DRAW LATCHES	78

SMALL COMPRESSION LATCHES

DESCRIPTION	For easy, secure, and compressive latching and locking of doors and flaps.
MATERIAL	Housing and cylinder: Die-cast zinc Cam: Mild steel
SURFACE	Housing and cylinder: Black powder coated Cam: Zinc plated
SPECIALS	Right and left IP65 / NEMA 4



Optional Components:

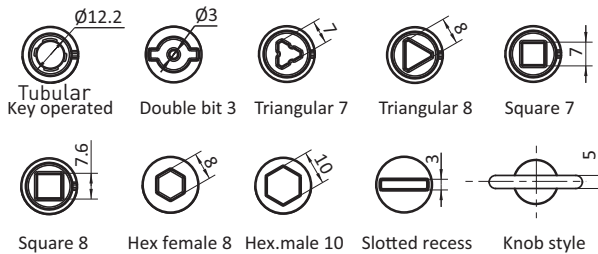
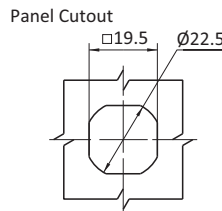
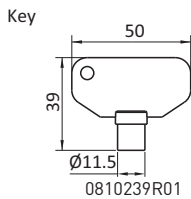
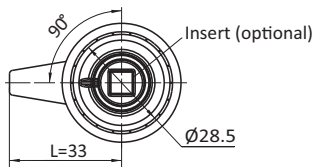
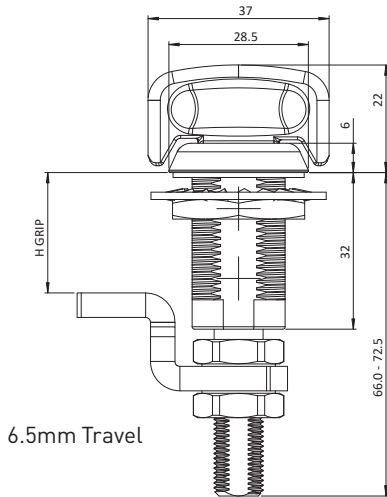


	H Grip Range [mm]							
Cylinder Style	3.2 - 6.4 mm	6.4 - 9.5 mm	9.5 - 12.7 mm	12.7 - 15.9 mm	15.9 - 19.0 mm	19.0 - 22.2 mm	22.2 - 25.4 mm	25.4 - 28.6 mm
Slotted Recess	0810203	0810204	0810205	0810206	0810207	0810208	0810209	0810210
Female Hex 4mm	0810211	0810212	0810213	0810214	0810215	0810216	0810217	0810218
Knob Style	0810219	0810220	0810221	0810222	0810223	0810224	0810225	0810226
Tubular Key	0810227	0810228	0810229	0810230	0810231	0810232	0810233	0810234

Chapter 5 and 9 for accessories

LARGE COMPRESSION LATCHES

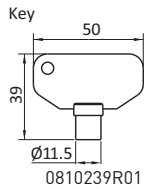
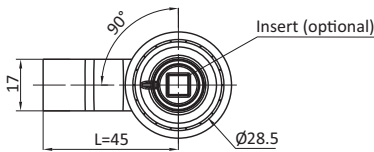
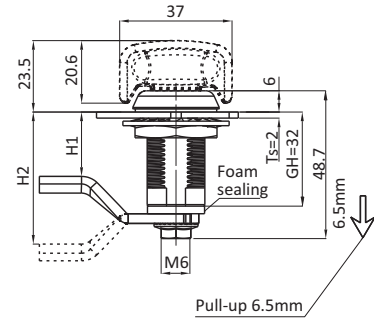
DESCRIPTION	For easy, secure, and compressive latching and locking of doors and flaps.
MATERIAL	Housing and cylinder: Die-cast zinc Cam: Mild steel
SURFACE	Housing and cylinder: Black powder coated Cam: Zinc plated
SPECIALS	Right and left IP65 / NEMA 4



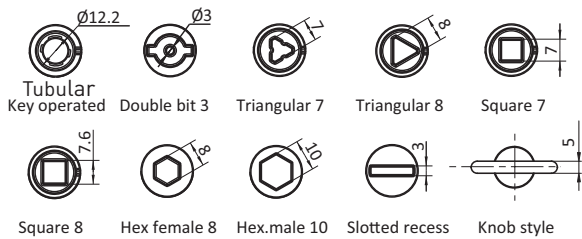
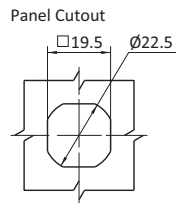
Cam Style	H Grip Range (mm)	Tubular Key Operated	Double Bit 3mm	Triangular 7mm	Triangular 8mm	Square 7mm	Square 8mm	Slotted Recess	Hex Female 8mm	Hex Male 10mm	Knob Style
Reversed	11.4 - 27.2	0810237	0810240	0810243	0810355	0810358	0811039	0810361	0810364	0810367	0810370
	25.4 - 41.1	0810238	0810241	0810244	0810356	0810359	0811040	0810362	0810365	0810368	0810371
Straight	38.9 - 54.6	0810239	0810242	0810245	0810357	0810360	0811041	0810363	0810366	0810369	0810372
	52.6 - 68.3	0810238	0810241	0810244	0810356	0810359	0811040	0810362	0810365	0810368	0810371
Offset	66.3 - 76.2	0810237	0810240	0810243	0810355	0810358	0811039	0810361	0810364	0810367	0810370

LARGE COMPRESSION LATCHES

DESCRIPTION	For easy, secure, and compressive latching and locking of doors and flaps.
MATERIAL	Housing and cylinder: Die-cast zinc Cam: mild steel
SURFACE	Housing and cylinder: Black powder coated Cam: zinc plated
SPECIALS	Right and left



Optional components:

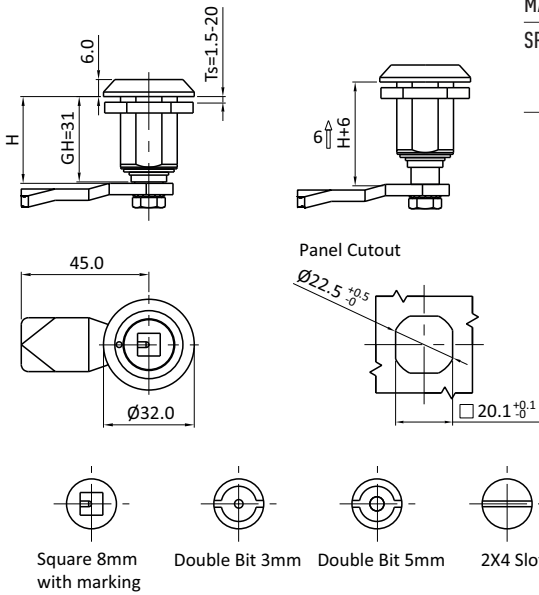


Large Compression Latches	Cylinder Style	Part #
	Tubular Key	0810488
	Double Bit w. 3mm Pin	0810489
	Triangle 7 mm	0810490
	Triangle 8 mm	0810491
	Square 7 mm	0810492
	Square 8 mm	0810493
	Slotted Recess	0810494
	Female Hex 8 mm	0810495
	Male Hex 10 mm	0810496
	Knob Style	0810497

Compatible Custom Style B cams see pages 242
 Chapter 5 and 9 for accessories

LARGE COMPRESSION LATCHES

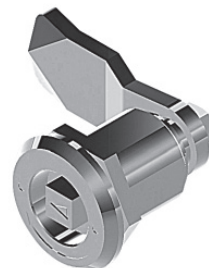
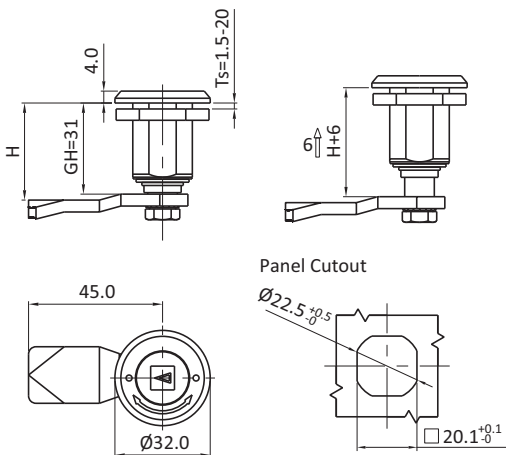
DESCRIPTION	For easy, secure, and compressive latching and locking of doors and flaps.
MATERIAL	316 SS
SPECIALS	Right and Left IP65 / NEMA 4 Spring and Seal



Large Compression Latches	Cylinder Style	Part #
	Square 8mm	0813126
	Double bit 3mm	0813128
	Double bit 5mm	0813129
	Slot 2 x 4 mm	0813127

Compatible cams see pages 48-49, 238-239
 Chapter 5 and 9 for accessories

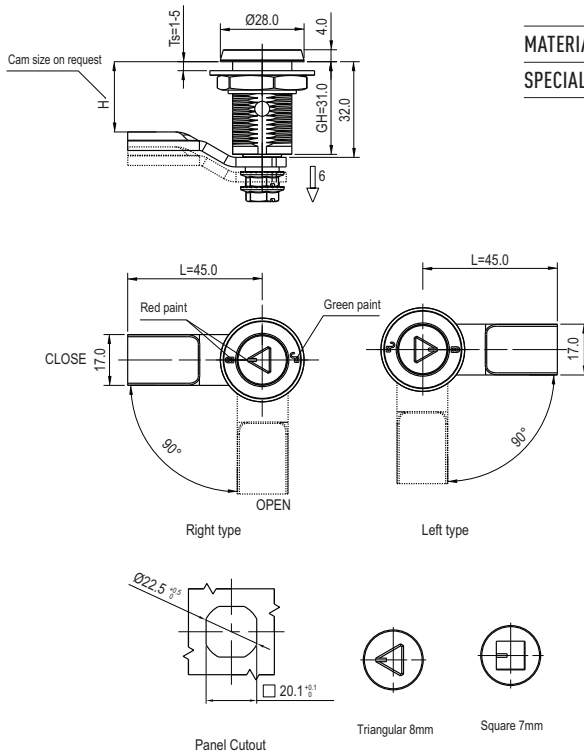
DESCRIPTION	For easy, secure, and compressive latching and locking of doors and flaps.
MATERIAL	316 SS
SPECIALS	Right and Left IP65 / NEMA 4 Spring and Seal Arrowhead and red-green marking



Large Compression Latches	Cylinder Style	Left	Right
	Square 8mm	0813130	0813131

Compatible cams see pages 48-49, 238-239
 Chapter 5 and 9 for accessories

LARGE COMPRESSION LATCHES



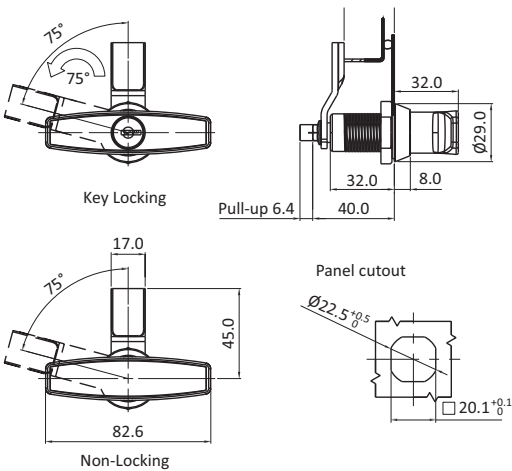
DESCRIPTION	For easy, secure, and compressive latching and locking of doors and flaps.
MATERIAL	316 SS
SPECIALS	Right and Left



Large Compression Latches	Cylinder Style	Left	Right
	Triangular 8mm	0813060	0813061
	Square 7mm	0813058	0813059

Compatible cams see pages 48-49, 238-239
 Chapter 5 and 9 for accessories

T-HANDLE COMPRESSION LATCHES - SHORT SHAFT



DESCRIPTION	For easy, secure, and compressive latching and locking of doors and flaps.
MATERIAL	Handle and Housing: Die cast zinc Shaft: Mild steel
SURFACE	Handle and Housing: Black powder coated Shaft: Zinc plated

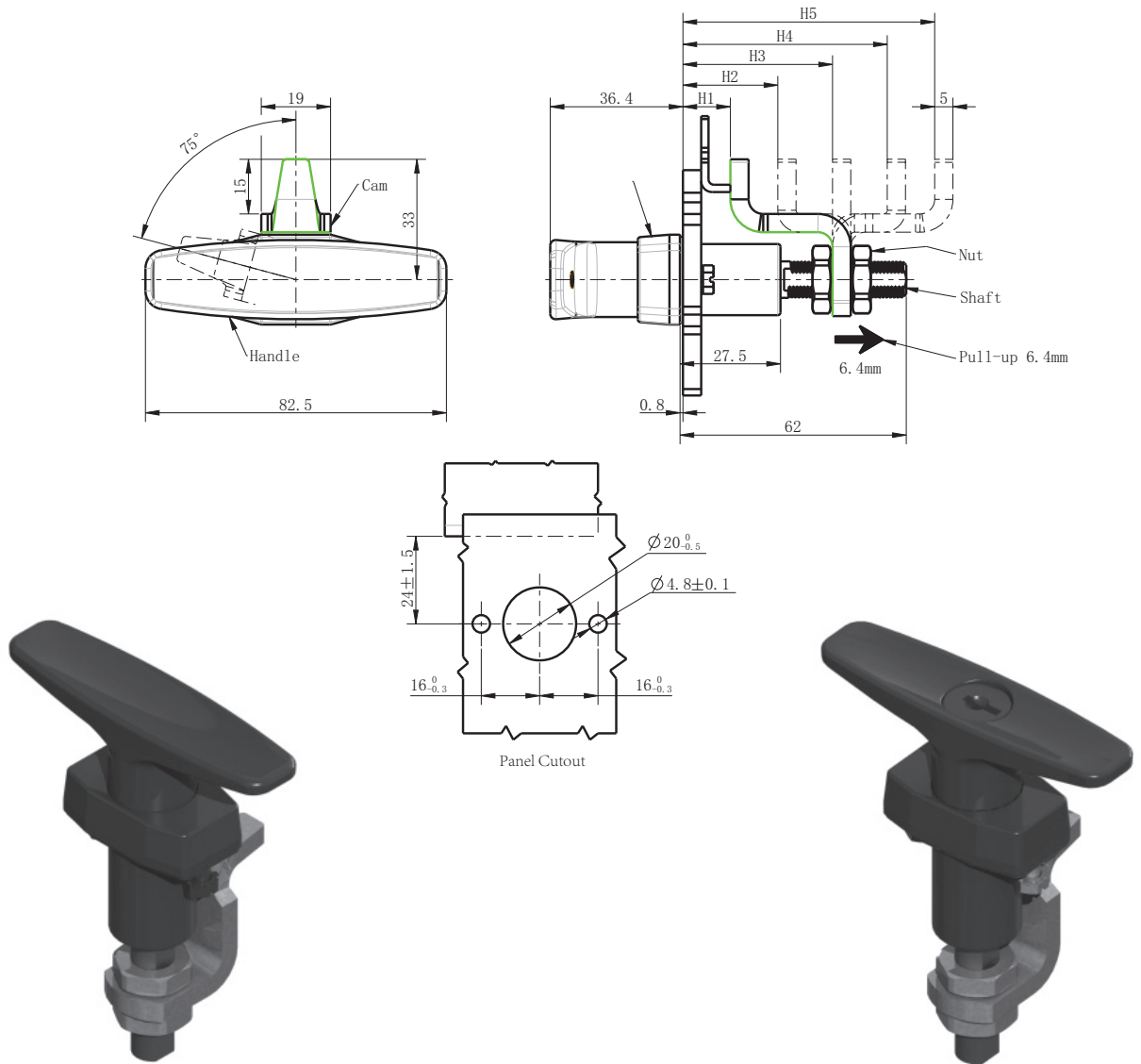


T-Handle Compression Latches - Short Shaft	FH751 Key Locking	Non-locking
	0850142	0850143

Compatible Custom Style B cams see pages 242

LARGE T-HANDLE COMPRESSION LATCHES

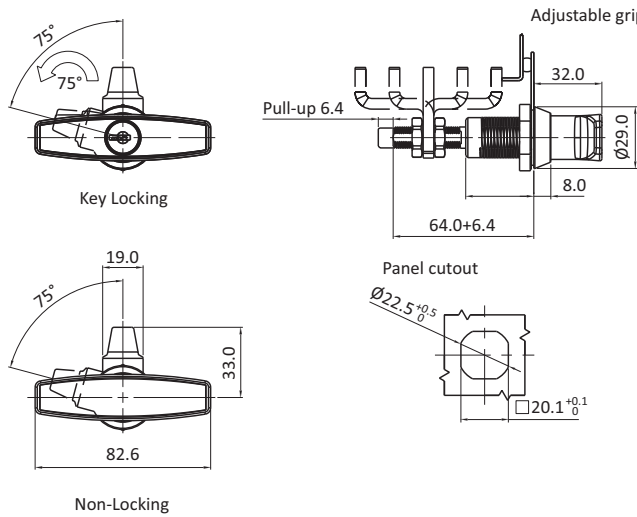
DESCRIPTION	For easy, secure, and compressive latching and locking of doors and flaps.
MATERIAL	Handle and Housing: Die cast zinc Shaft: Mild steel
SURFACE	Handle and Housing: Black powder coated Shaft: Zinc plated



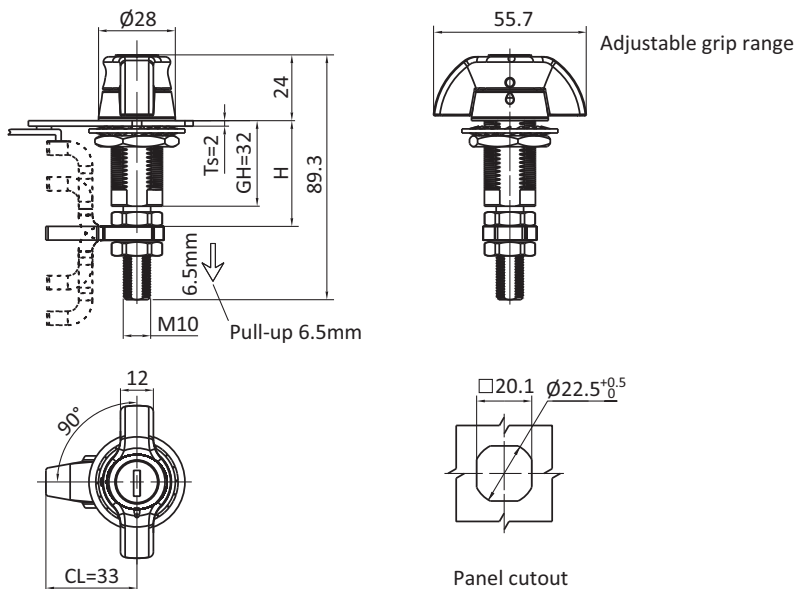
Cam Style	Grip Range [mm]	Non-Locking	Key Locking (Cylinder type needs to be specified)
Reversed	7.9-23.6	0850297	0850298
Straight	21.8-37.3	0850297S01	0850298S01
Offset	35.3-51	0850297S02	0850298S02
	49-64.8	0850297S01	0850298S01
	62.7-76.2	0850297	0850298

T-HANDLE COMPRESSION LATCHES - LONG SHAFT

DESCRIPTION	For easy, secure, and compressive latching and locking of doors and flaps.
MATERIAL	Handle and Housing: Die cast zinc Shaft: Mild steel
SURFACE	Handle and Housing: Black powder coated Shaft: Zinc plated



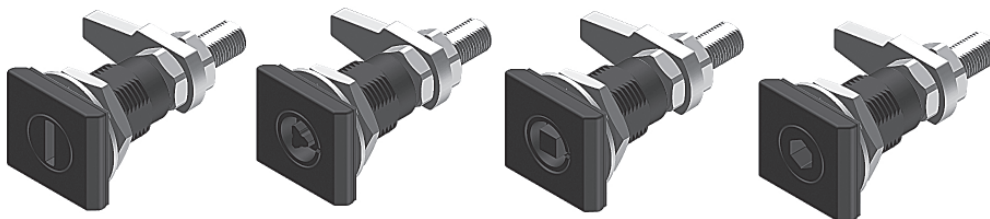
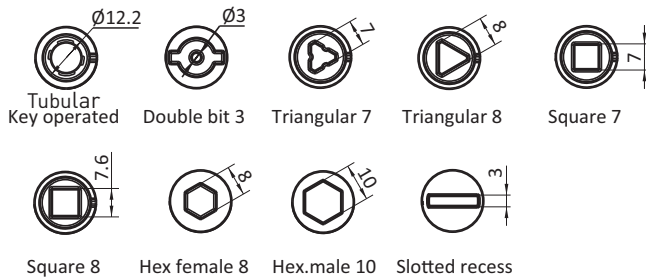
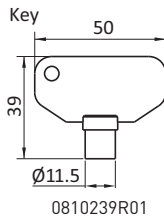
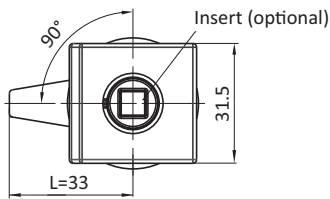
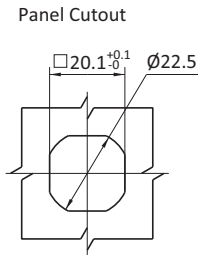
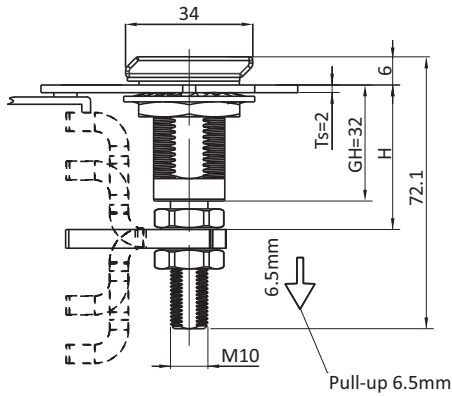
WINGKNOB COMPRESSION LATCHES



Cam Orientation	Grip Range		T-HANDLE		WING KNOB	
	Minimum	Maximum	FH751 Key locking	Non-locking	FH751 Key locking	Non-locking
Reversed Cam	11.4	27.2	0850144	0850147	0813099	0813102
	25.4	41.1	0850145	0850148	0813100	0813103
Straight Cam	38.9	54.6	0850146	0850149	0813101	0813104
Offset Cam	52.6	68.3	0850145	0850148	0813100	0813103
	66.3	76.2	0850144	0850147	0813099	0813102

SQUARE FACE COMPRESSION LATCHES

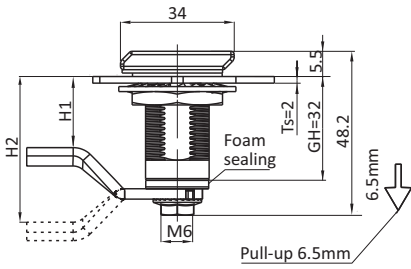
DESCRIPTION	For easy, secure, and compressive latching and locking of doors and flaps.
MATERIAL	Housing and cylinder: Die-cast zinc Cam: Mild steel
SURFACE	Housing and cylinder: Black powder coated Cam: Zinc plated
SPECIALS	Right and left IP65 / NEMA 4



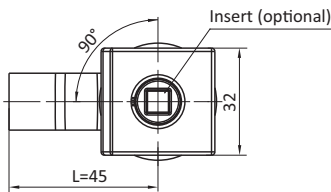
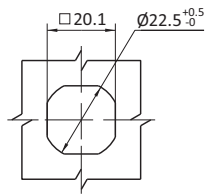
Shaft Style	Cam Style	Grip Range (mm)	Tubular Key Operated	Double Bit 3mm	Triangular 7mm	Triangular 8mm	Square 7mm	Square 8mm	Slotted Recess	Hex Female 8mm	Hex Male 10mm
Long Shaft	Reversed	11.4 - 27.2	0813072	0813073	0813074	0813075	0813076	0813077	0813078	0813079	0813080
		25.4 - 41.1	0813081	0813082	0813083	0813084	0813085	0813086	0813087	0813088	0813089
Offset	Straight	38.9 - 54.6	0813090	0813091	0813092	0813093	0813094	0813095	0813096	0813097	0813098
		52.6 - 68.3	0813081	0813082	0813083	0813084	0813085	0813086	0813087	0813088	0813089
		66.3 - 76.2	0813072	0813073	0813074	0813075	0813076	0813077	0813078	0813079	0813080

SQUARE FACE COMPRESSION LATCHES

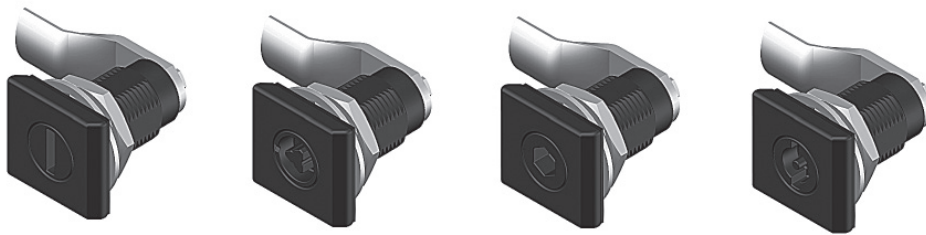
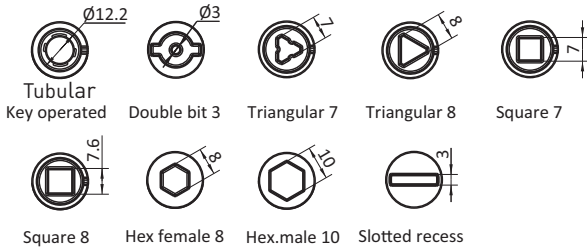
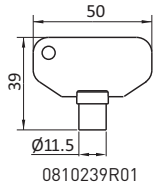
DESCRIPTION	For easy, secure, and compressive latching and locking of doors and flaps.
MATERIAL	Housing and cylinder: Die-cast zinc Cam and shaft: Mild steel
SURFACE	Housing and cylinder: Black powder coated Cam and shaft: Zinc plated
SPECIALS	Right and left IP65 / NEMA 4



Panel Cutout



Key



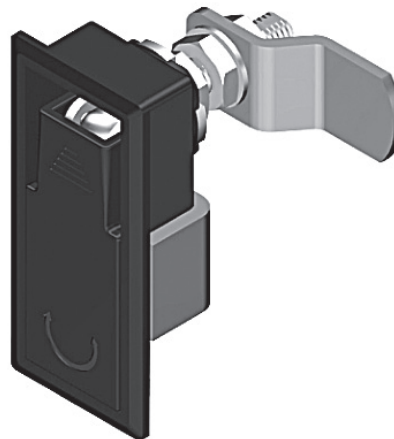
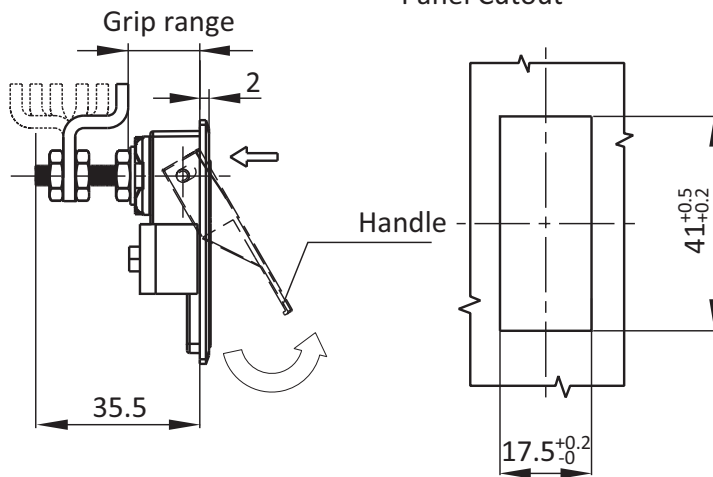
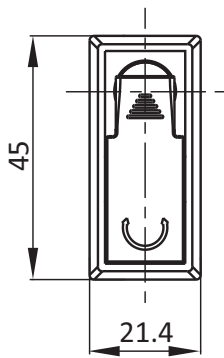
Shaft Style	Cylinder Style	Part #
Fixed H Dimension	Tubular Key operated	0813117
	Double bit 3mm	0813118
	Triangular bit 7mm	0813119
	Triangular bit 8mm	0813120
	Square 7mm	0813121
	Square 8mm	0813122
	Slotted recess	0813123
	Hex female 8mm	0813124
	Hex female 10mm	0813125

Compatible Custom Style B cams see pages 242

HANDLE COMPRESSION LATCHES

DESCRIPTION	For easy, secure, and compressive latching and locking of doors and flaps.
MATERIAL	Housing and cylinder: Die-cast zinc Cam: Mild steel
SURFACE	Housing and cylinder: Black powder coated / chrome plated Cam: Zinc plated

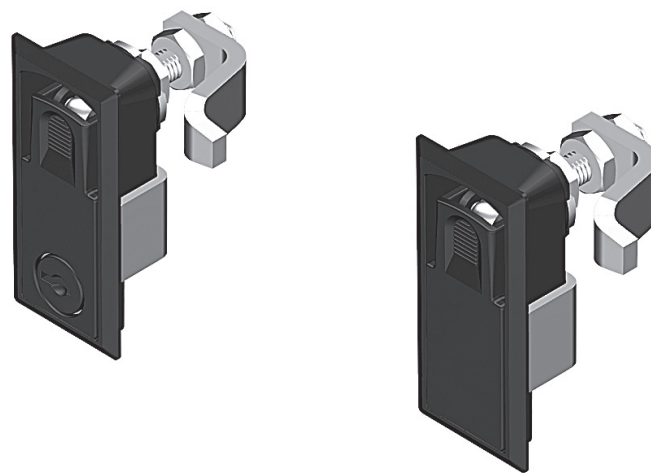
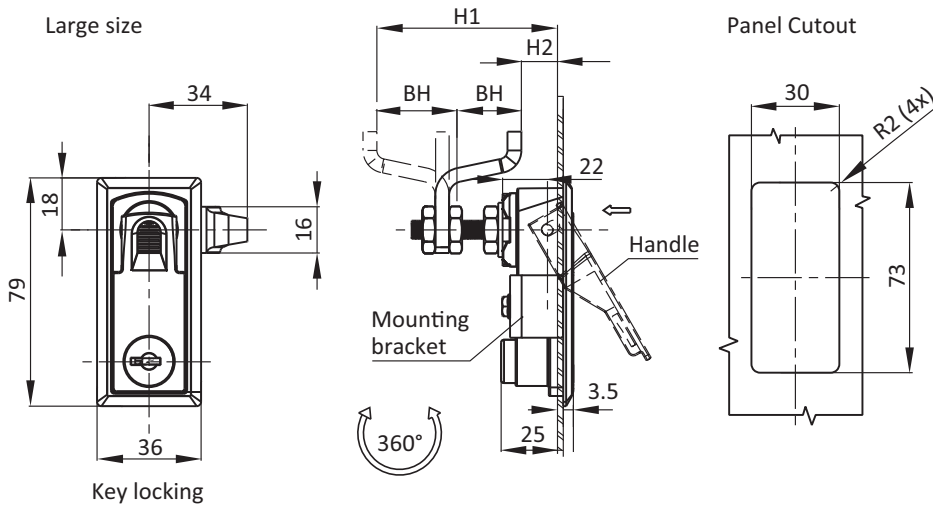
Small size



Cylinder Style	Cam forward	Cam reversed	Die-cast Zinc, black powder coated	Die-cast Zinc, chrome plated
	Min - Max (mm)	Min - Max (mm)		
Non-Locking	4.5 - 10.5	34.5 - 40.5	0813318	0813319
	10.5 - 16.5	28.5 - 34.5	0813320	0813321
	16.5 - 22.5	22.5 - 28.5	0813322	0813323

HANDLE COMPRESSION LATCHES

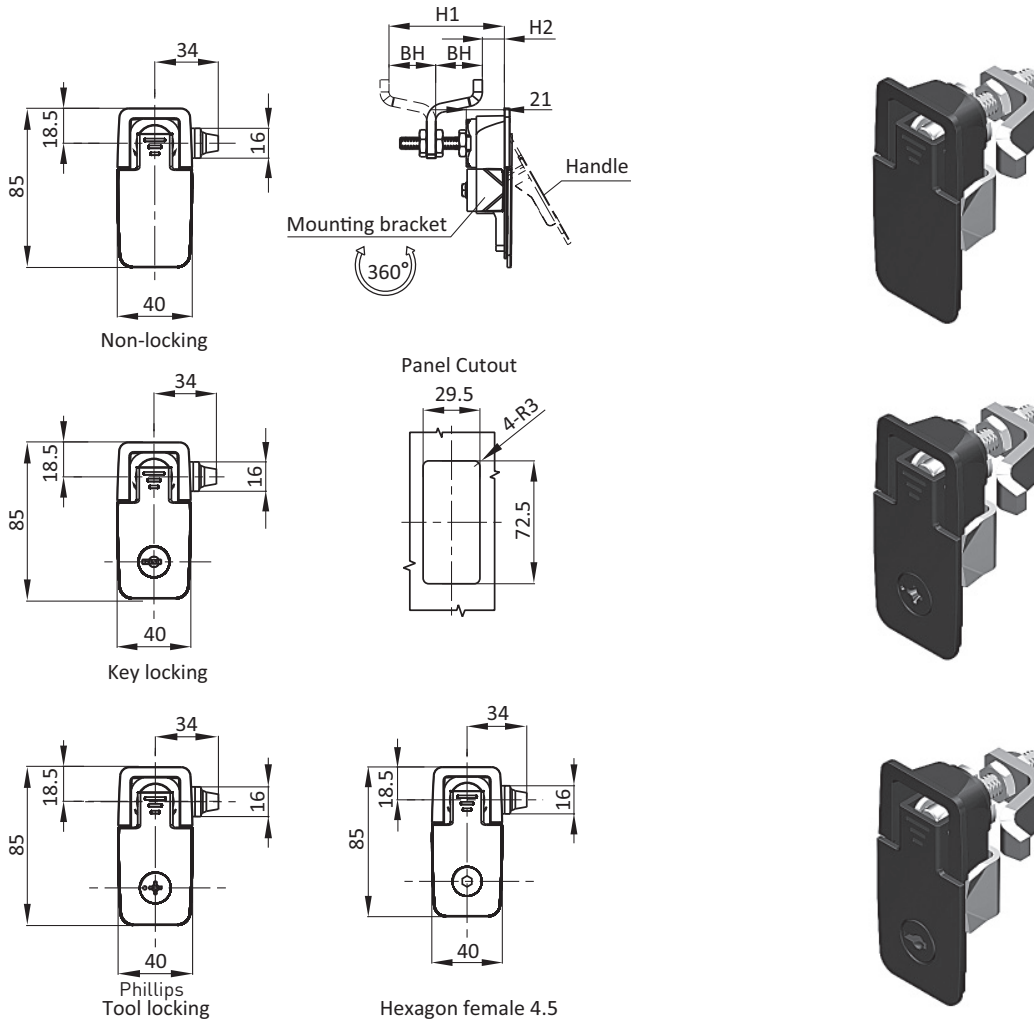
DESCRIPTION	For easy, secure, and compressive latching and locking of doors and flaps.
MATERIAL	Housing and cylinder: Die-cast zinc Cam: Mild steel
SURFACE	Housing and cylinder: Black powder coated / chrome plated Cam: Zinc plated



Cylinder Style	Cam forward Min - Max [mm]	Cam reversed Min - Max [mm]	Die-cast Zinc, black powder coated	Die-cast Zinc, chrome plated
Non-Locking	6 - 16	56 - 66	0811050	0811051
	16 - 26	46 - 56	0811052	0811053
	26 - 36	36 - 46	0811054	0811055
Key locking FH751	6 - 16	56 - 66	0811056	0811057
	16 - 26	46 - 56	0811058	0811059
	26 - 36	36 - 46	0811060	0811061
Tool locking	6 - 16	56 - 66	0811062	0811063
	16 - 26	46 - 56	0811064	0811065
	26 - 36	36 - 46	0811066	0811067

HANDLE COMPRESSION LATCHES

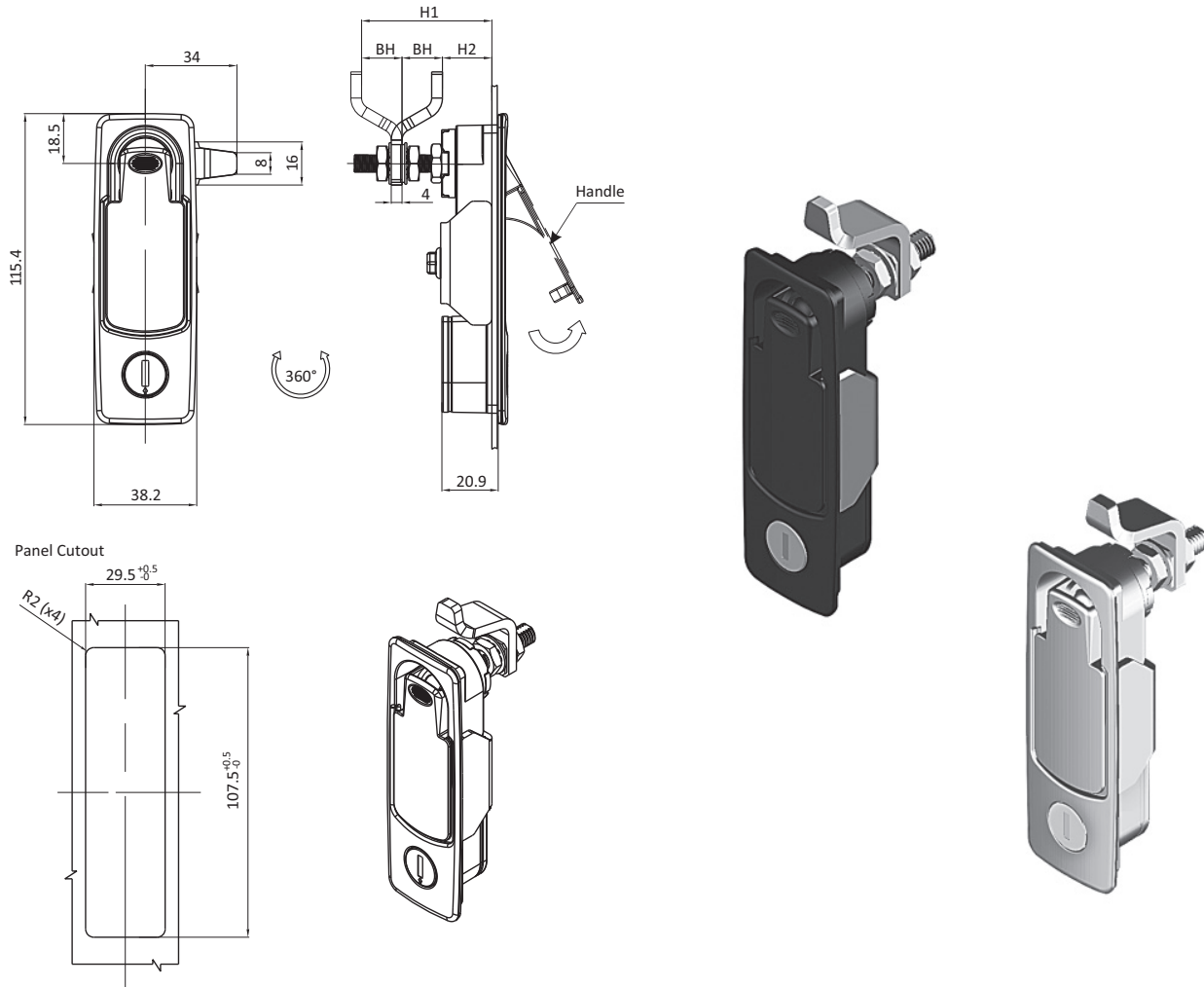
DESCRIPTION	For easy, secure, and compressive latching and locking of doors and flaps.
MATERIAL	Housing and cylinder: Die-cast zinc Cam: Mild steel
SURFACE	Housing and cylinder: Black powder coated / chrome plated Cam: Zinc plated



Cylinder Style	Cam forward		Cam reversed		Die-cast Zinc, black powder coated	Die-cast Zinc, chrome plated	
	Min	Max [mm]	Min	Max [mm]			
Non-Locking	6	16	56	66	0810039	0810048	
	16	26	46	56	0810040	0810010	
	26	36	36	46	0810041	0810011	
Key locking FH751	6	16	56	66	0810042	0810012	
	16	26	46	56	0810043	0810049	
	26	36	36	46	0810044	0810050	
Phillips locking	6	16	56	66	0810045	0810051	
	16	26	46	56	0810046	0810052	
	26	36	36	46	0810047	0810053	
Hexagon female 4.5	6	16	56	66	0811044	0811047	
	16	26	46	56	0811045	0811048	
	26	36	36	46	0811046	0811049	
		16	24	46	66	0810046S01	

HANDLE COMPRESSION LATCHES

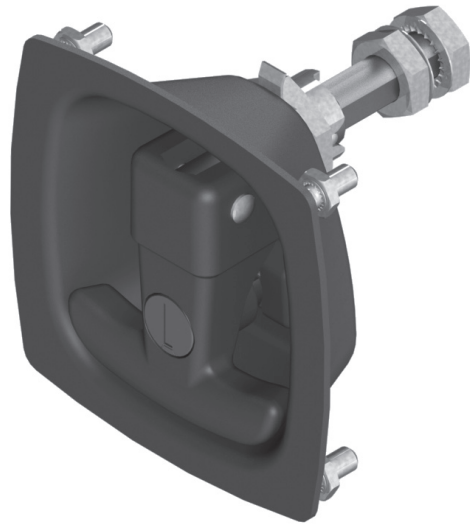
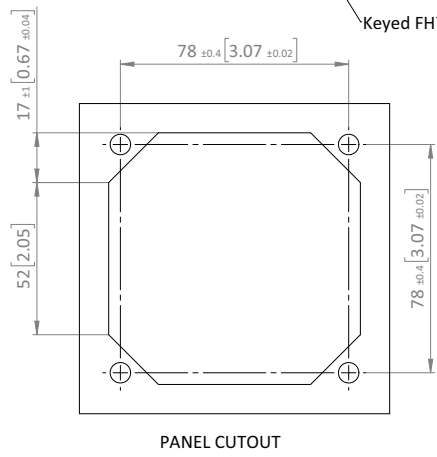
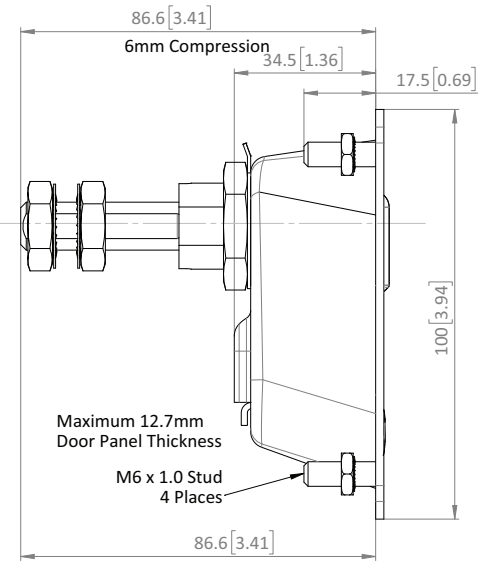
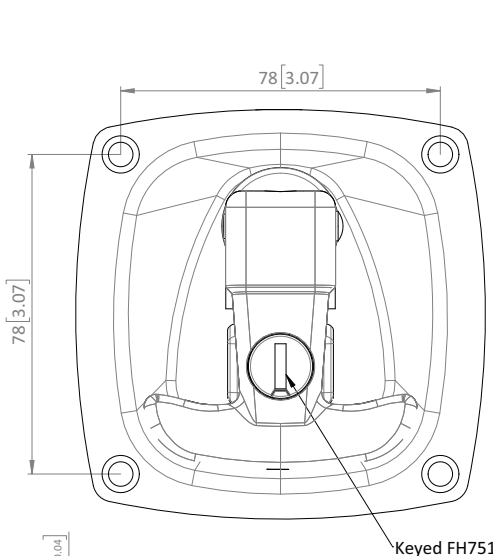
DESCRIPTION	For easy, secure, and compressive latching and locking of doors and flaps.
MATERIAL	Housing, handle, and trigger: Die-cast zinc Cam: Mild steel
SURFACE	Housing, handle, and trigger: Black powder coated / chrome plated Cam: Zinc plated



Cylinder Style	Cam forward Min - Max (mm)	Cam reversed Min - Max (mm)	Die-cast Zinc, black powder coated	Die-cast Zinc, chrome plated
	6 - 16	56 - 66	0811068	0811071
FH1245 Key locking	16 - 26	46 - 56	0811069	0811072
	26 - 36	36 - 46	0811070	0811073

T-HANDLE COMPRESSION LATCHES

DESCRIPTION	For easy, secure, and compressive latching and locking of doors and flaps.
MATERIAL	Housing, handle, and trigger: Die-cast zinc Cam: Mild steel
SURFACE	Housing, handle, and trigger: Black powder coated Cam: Zinc plated

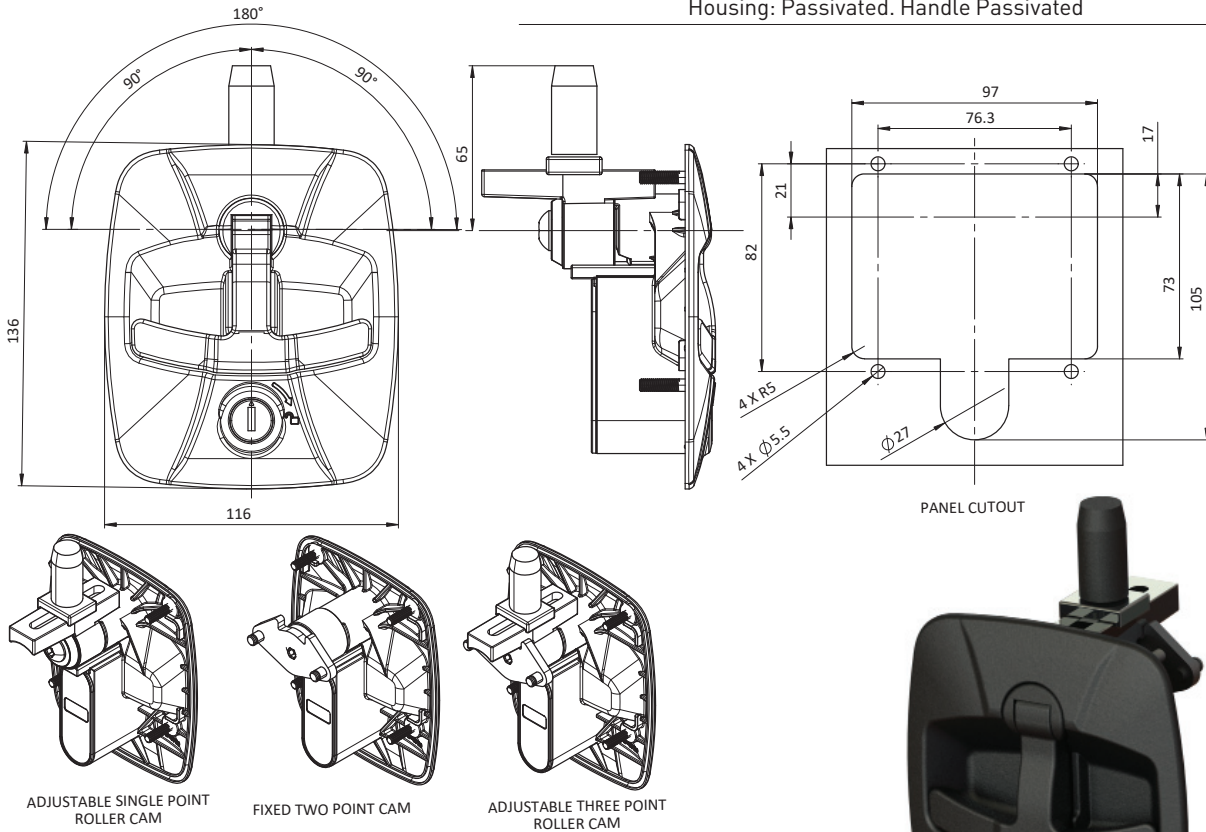


CAM
Specify grip range

FH751 Key locking
0810054

T-HANDLE COMPRESSION LATCHES

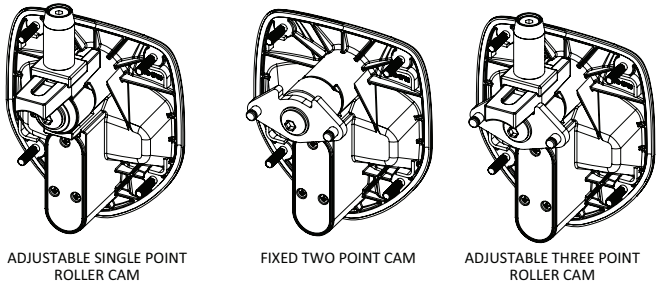
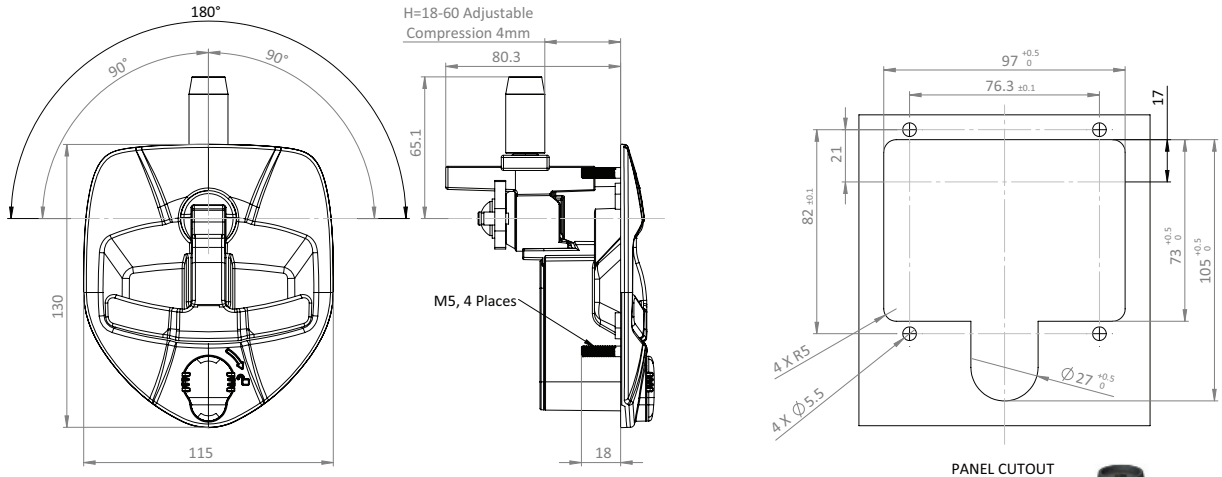
DESCRIPTION	For easy, secure, and compressive latching and locking of doors and flaps.
MATERIAL	Housing: PA6 30. Handle: Die Cast Zinc Housing: 304 SS. Handle 304 SS
SURFACE	Housing: Black. Handle: Black Powder Coated Housing: Passivated. Handle Passivated



Material	Finish	Rotation	Cam Type	FH805 Key Locking	FH751 Key Locking
Die Cast Zinc	Black Powder	180°	Adjustable Single Point	0810051805180	0810051751180
Die Cast Zinc	Black Powder	90° Left	Adjustable Single Point	081005180590L	081005175190L
Die Cast Zinc	Black Powder	90° Right	Adjustable Single Point	081005180590R	081005175190R
Die Cast Zinc	Black Powder	180°	Fixed Two Point	0810052805180	0810052751180
Die Cast Zinc	Black Powder	90° Left	Fixed Two Point	081005280590L	081005275190L
Die Cast Zinc	Black Powder	90° Right	Fixed Two Point	081005280590R	081005275190R
Die Cast Zinc	Black Powder	180°	Adjustable Three Point	0810053805180	0810053751180
Die Cast Zinc	Black Powder	90° Left	Adjustable Three Point	081005380590L	081005375190L
Die Cast Zinc	Black Powder	90° Right	Adjustable Three Point	081005380590R	081005375190R
304 Stainless Steel	Passivated	180°	Adjustable Single Point	0810051805180E	0810051751180E
304 Stainless Steel	Passivated	90° Left	Adjustable Single Point	081005180590LE	081005175190LE
304 Stainless Steel	Passivated	90° Right	Adjustable Single Point	081005180590RE	081005175190RE
304 Stainless Steel	Passivated	180°	Fixed Two Point	0810052805180E	0810052751180E
304 Stainless Steel	Passivated	90° Left	Fixed Two Point	081005280590LE	081005275190LE
304 Stainless Steel	Passivated	90° Right	Fixed Two Point	081005280590RE	081005275190RE
304 Stainless Steel	Passivated	180°	Adjustable Three Point	0810053805180E	0810053751180E
304 Stainless Steel	Passivated	90° Left	Adjustable Three Point	081005380590LE	081005375190LE
304 Stainless Steel	Passivated	90° Right	Adjustable Three Point	081005380590RE	081005375190RE

T-HANDLE COMPRESSION LATCHES

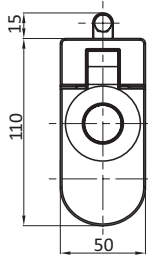
DESCRIPTION	For easy, secure, and compressive latching and locking of doors and flaps.
MATERIAL	Housing: PA6 30. Handle: Die Cast Zinc Key cover: 304 SS. Housing: 304 SS Handle 304 SS
SURFACE	Housing: Black. Handle: Black Powder Coated Housing: Passivated. Handle Passivated



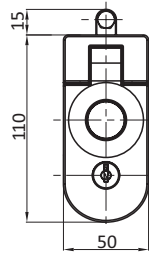
Material	Finish	Rotation	Cam Type	FH805 Key Locking	FH751 Key Locking
Die Cast Zinc	Black Powder	180°	Adjustable Single Point	081005S011805180	081005S011751180
Die Cast Zinc	Black Powder	90° Left	Adjustable Single Point	081005S01180590L	081005S01175190L
Die Cast Zinc	Black Powder	90° Right	Adjustable Single Point	081005S01180590R	081005S01175190R
Die Cast Zinc	Black Powder	180°	Fixed Two Point	081005S012805180	081005S012751180
Die Cast Zinc	Black Powder	90° Left	Fixed Two Point	081005S01280590L	081005S01275190L
Die Cast Zinc	Black Powder	90° Right	Fixed Two Point	081005S01280590R	081005S01275190R
Die Cast Zinc	Black Powder	180°	Adjustable Three Point	081005S013805180	081005S013751180
Die Cast Zinc	Black Powder	90° Left	Adjustable Three Point	081005S01380590L	081005S01375190L
Die Cast Zinc	Black Powder	90° Right	Adjustable Three Point	081005S01380590R	081005S01375190R
304 Stainless Steel	Passivated	180°	Adjustable Single Point	081005S011805180E	081005S011751180E
304 Stainless Steel	Passivated	90° Left	Adjustable Single Point	081005S01180590LE	081005S01175190LE
304 Stainless Steel	Passivated	90° Right	Adjustable Single Point	081005S01180590RE	081005S01175190RE
304 Stainless Steel	Passivated	180°	Fixed Two Point	081005S012805180E	081005S012751180E
304 Stainless Steel	Passivated	90° Left	Fixed Two Point	081005S01280590LE	081005S01275190LE
304 Stainless Steel	Passivated	90° Right	Fixed Two Point	081005S01280590RE	081005S01275190RE
304 Stainless Steel	Passivated	180°	Adjustable Three Point	081005S013805180E	081005S013751180E
304 Stainless Steel	Passivated	90° Left	Adjustable Three Point	081005S01380590LE	081005S01375190LE
304 Stainless Steel	Passivated	90° Right	Adjustable Three Point	081005S01380590RE	081005S01375190RE

HANDLE COMPRESSION LATCHES

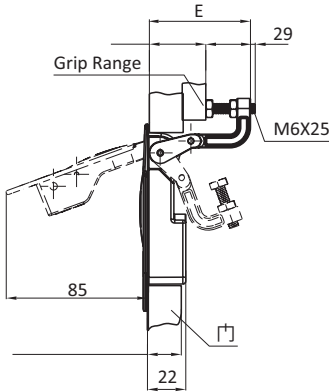
DESCRIPTION	For easy, secure, and compressive latching and locking of doors and flaps. Panel thickness must be 1 - 11 mm.
MATERIAL	Housing, handle, and trigger: Die-cast zinc Bolt: Mild steel
SURFACE	Housing, handle, and trigger: Black powder coated Bolt: Zinc plated



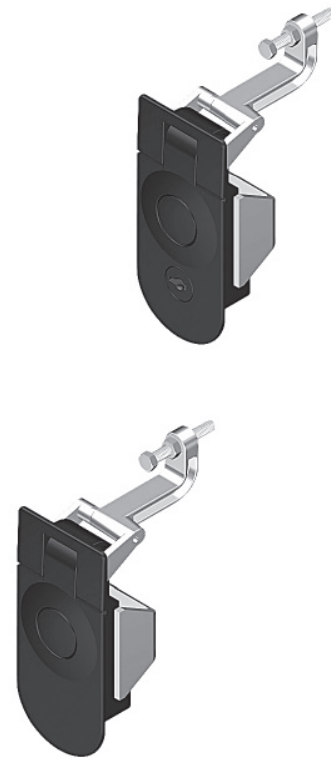
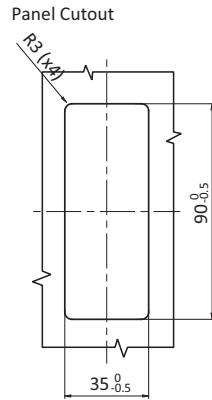
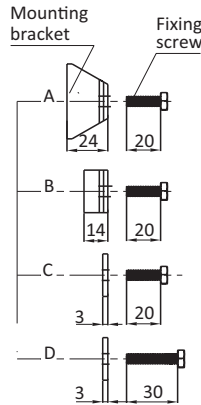
Non-locking



Key Locking



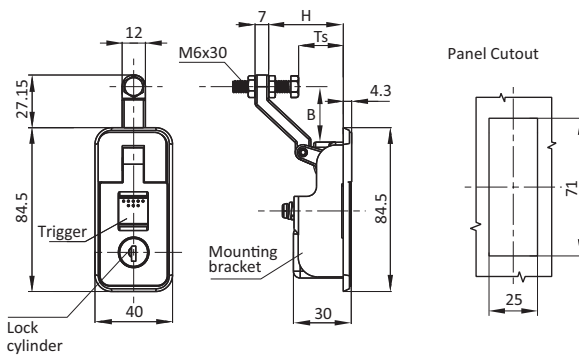
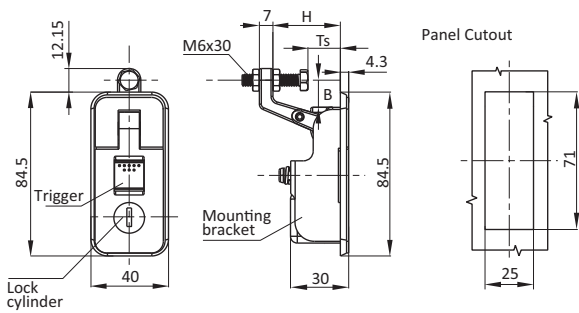
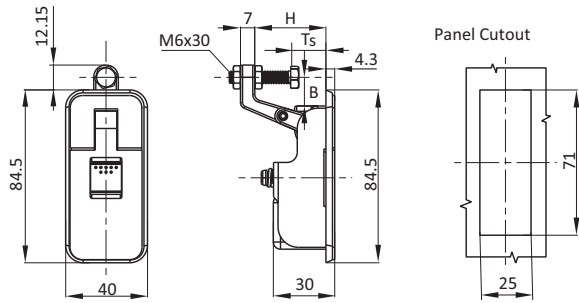
Max. panel Ts see table



Mounting Bracket	Panel Thickness Min - Max [mm]	Grip Range Min - Max [mm]	E [mm]	Non Locking	FH751 Key Locking with Shutter	FH751 Key Locking	Phillips Drive
A	1 - 11	1 - 14	29	0810072	0813001	0810076	0813003
B	11 - 21	1 - 14	29	0813004	0813005	0813006	0813007
A	1 - 11	14 - 29	44	0810073	0813009	0810077	0813011
B	11 - 21	14 - 29	44	0813012	0813013	0813014	0813015
C	21 - 31	14 - 29	44	0813016	0813017	0813018	0813019
A	1 - 11	29 - 45	60	0810074	0813021	0810088	0813023
B	11 - 21	29 - 45	60	0813024	0813025	0813026	0813027
C	21 - 31	29 - 45	60	0813028	0813029	0813030	0813031
D	31 - 41	29 - 45	60	0813032	0813033	0813034	0813035
A	1 - 11	45 - 57	72	0810075	0813037	0810089	0813039
B	11 - 21	45 - 57	72	0813040	0813041	0813042	0813043
C	21 - 31	45 - 57	72	0813044	0813045	0813046	0813047
D	31 - 41	45 - 57	72	0813048	0813049	0813050	0813051

HANDLE COMPRESSION LATCHES

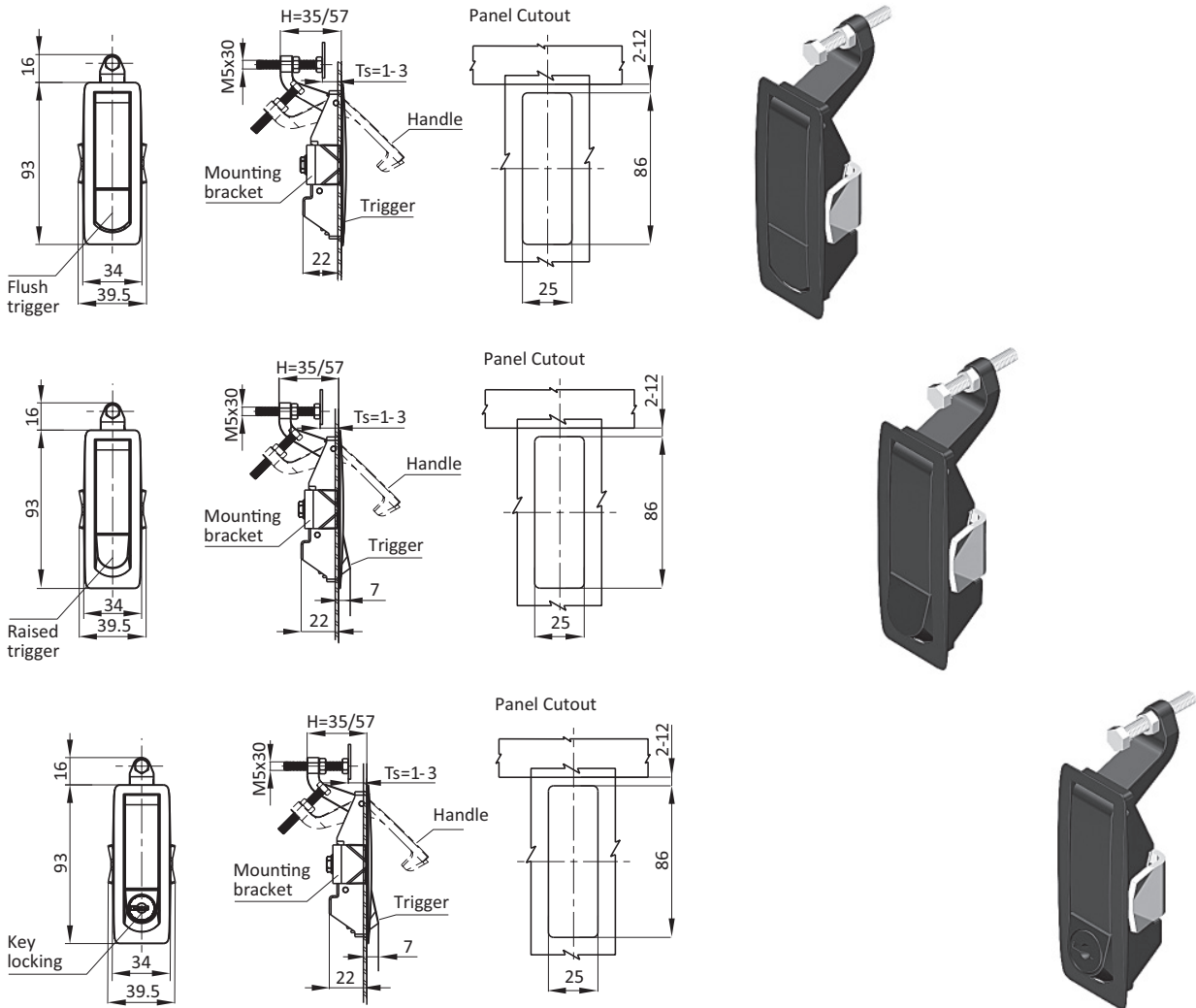
DESCRIPTION	For easy, secure, and compressive latching and locking of doors and flaps.
MATERIAL	Housing and handle: Die-cast zinc Bolt and trigger: Mild steel
SURFACE	Housing and handle: Black powder coated Bolt and trigger: Zinc plated



Panel Thickness[mm]	Grip Range [mm] Ts	H	B	Lock Style	Die-cast Zinc, black powder coated	Die-cast Zinc, chrome plated
1-11	1 - 25	36.5	13.5	Non-locking	0810498	0810499
				Key locking w. shutter (CH751)	0810500	0810501
1-11	15 - 30	40	28.5	Non-locking	0810502	0810503
				Key locking w. shutter (CH751)	0810504	0810505

TRIGGER LATCHES

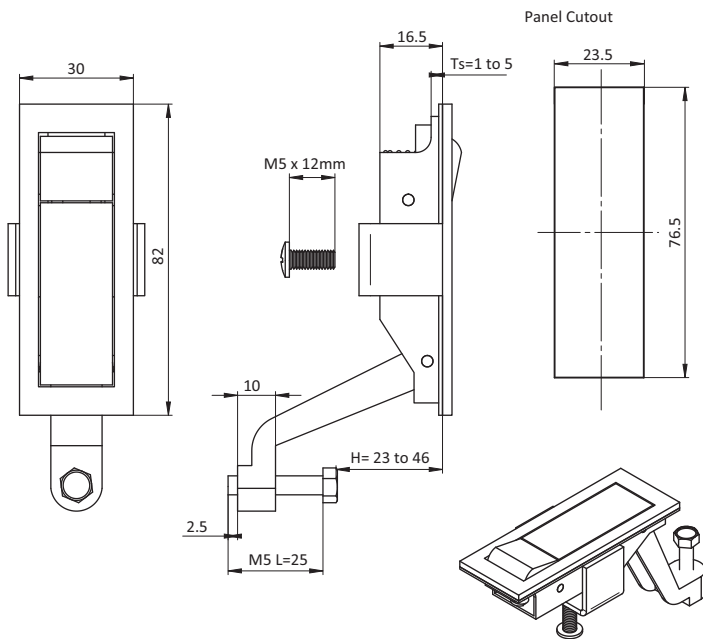
DESCRIPTION	For easy, secure, and compressive latching and locking of doors and flaps.
MATERIAL	Housing, handle, and trigger: Die-cast zinc Bolt: Mild steel
SURFACE	Housing, handle, and trigger: Black powder coated / chrome plated Bolt: Zinc plated



Trigger Latches	Trigger Style	Die-cast Zinc, black powder coated	Die-cast Zinc, chrome plated	NEMA 4 black powder coated
Short arm Grip range 1 - 24 mm	Non-locking raised trigger	0810056	0810060	0850240
	Non-locking flush trigger	0810057	0810061	0850241
	FH751 key locking	0810058	0810062	0850242
	Phillips Drive	0811074	0811076	0850243
	FH751 key locking with shutter	0810059	0810063	0850244
	Hexagon female 4.5mm	0811075	0811077	0850245
Long arm Grip range 23 - 46 mm	Non-locking raised trigger	0810064	0810068	0850246
	Non-locking flush trigger	0810065	0810069	0850247
	FH751 key locking	0810066	0810070	0850248
	Phillips Drive	0811078	0811080	0850249
	FH751 key locking with shutter	0810067	0810071	0850250
	Hexagon female 4.5mm	0811079	0811081	0850251

TRIGGER LATCHES

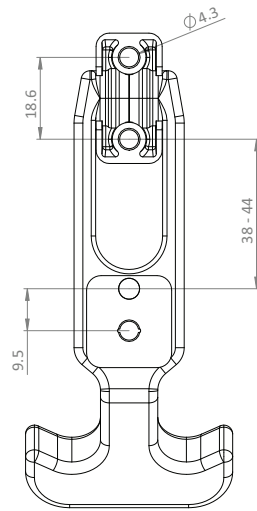
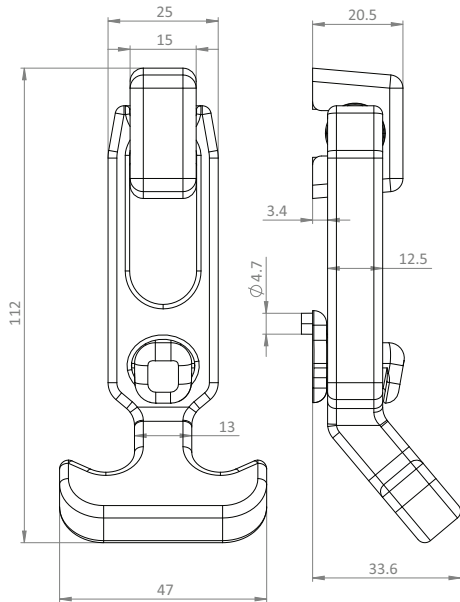
DESCRIPTION	For easy, secure, and compressive latching and locking of doors and flaps.
MATERIAL	304 SS / die-cast zinc
SURFACE	Black powder coated / Chrome plated



Trigger Latch	Grip Range [mm]	Version	Part #
	23 - 46	Die-cast zinc, chrome plated	0810093
	23 - 46	304 SS	0810093E
	23 - 46	Die-cast zinc, black powder coated	0810093S01
	35 - 58	Die-cast zinc, black powder coated	0810093S03

DRAW LATCHES

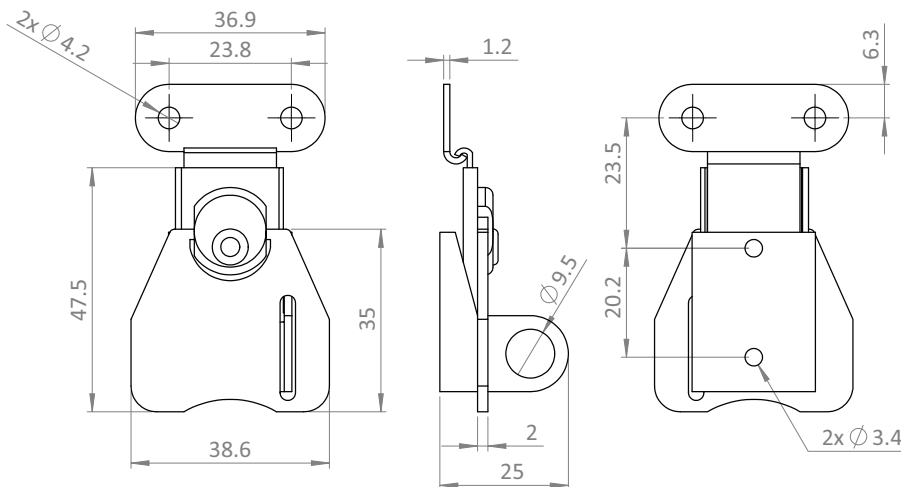
DESCRIPTION	For easy, secure, and compressive latching and locking of doors and flaps.
MATERIAL	Handle: Black Rubber Attachment Brackets: PA6
MAX STATIC LOAD	600 N



Blind Mounting Holes
 Through Mounting Holes

08100991
 08100991S01

DESCRIPTION	For easy, secure, and compressive latching and locking of doors and flaps.
MATERIAL	304 Stainless Steel

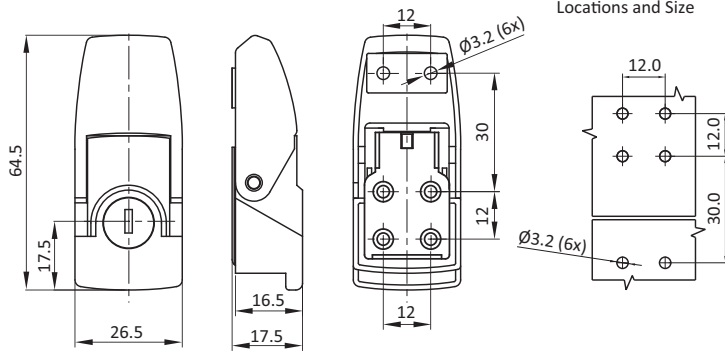


0850278

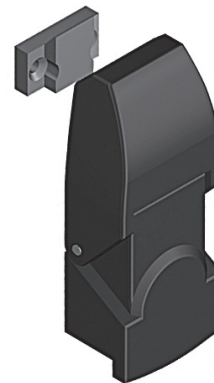
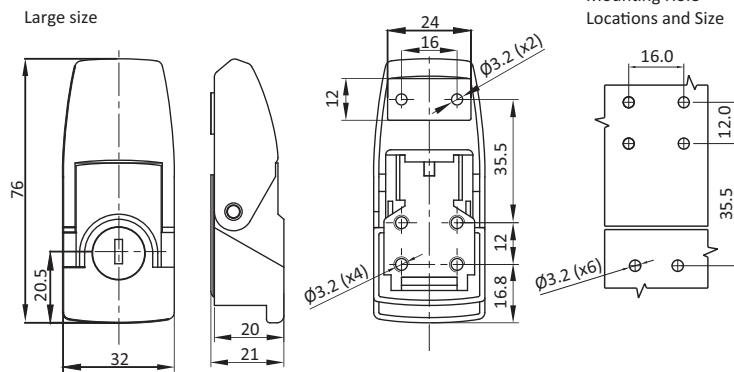
OVER-CENTER DRAW LATCHES

DESCRIPTION	For easy, secure, and compressive latching and locking of doors and flaps.
MATERIAL	Die-cast zinc
SURFACE	Black powder coated / chrome plated

Small size



Large size

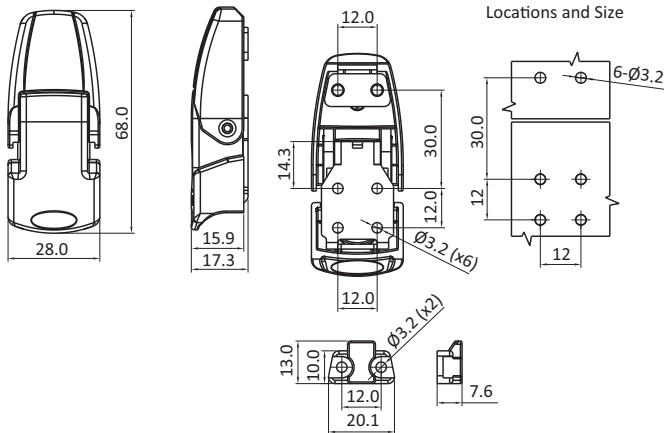


Over-Center Draw Latches	Lock Style	Die-cast Zinc, black powder coated	Die-cast Zinc, chrome plated
		Small	Non-locking
	Key Locking (D200)	0813066	0813067
Large	Non-locking	0813068	0813069
	Key locking (D200)	0813489	0813065

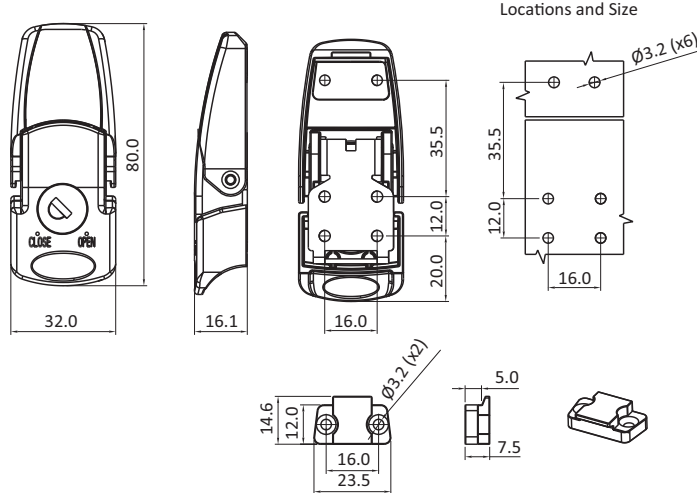
OVER-CENTER DRAW LATCHES

DESCRIPTION	For easy, secure, and compressive latching and locking of doors and flaps.
MATERIAL	Die-cast zinc
SURFACE	Black powder coated / chrome plated

Small size



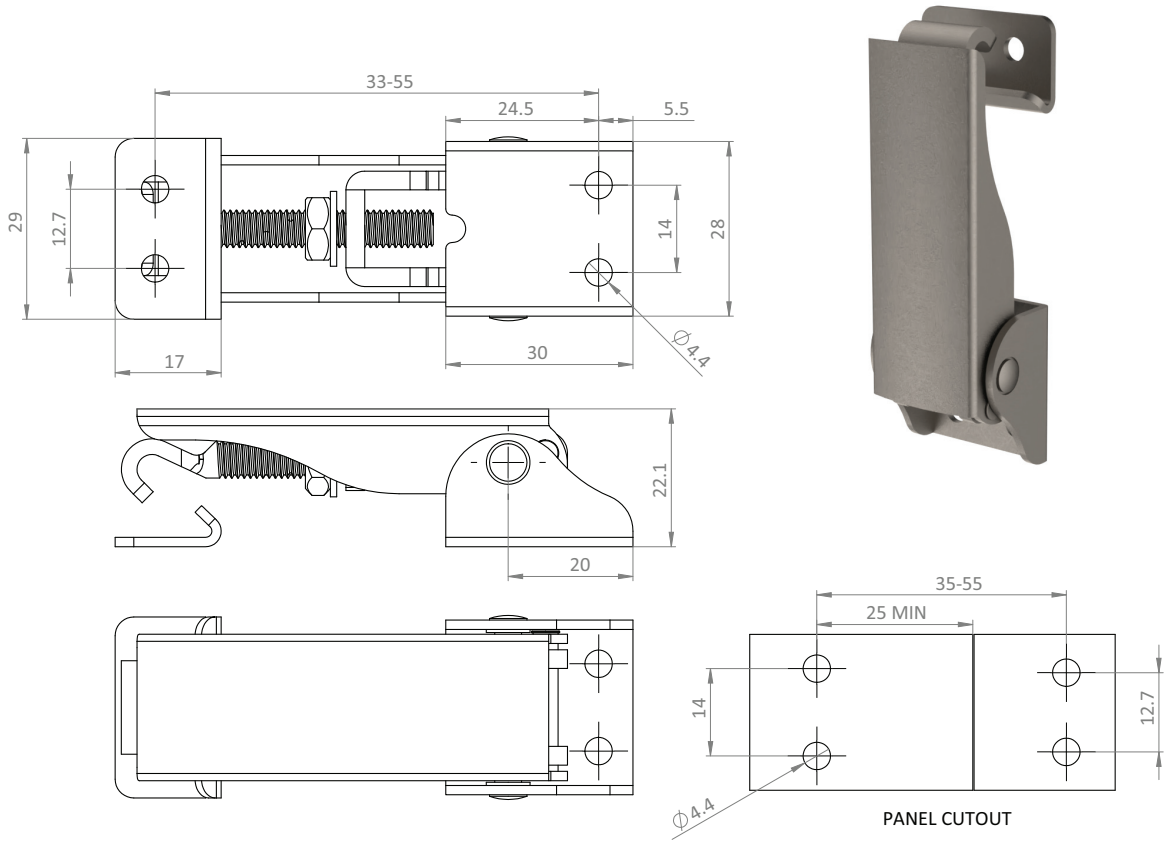
Large size



Over-Center Draw Latches	Lock Style	Die-cast Zinc, black powder coated	Die-cast Zinc, chrome plated
		Small	Non-locking
	Key locking FH200	0810096	0810098
Large	Non-locking	0810099	0810101
	Key locking FH200	0810095	0810097

OVER-CENTER DRAW LATCHES

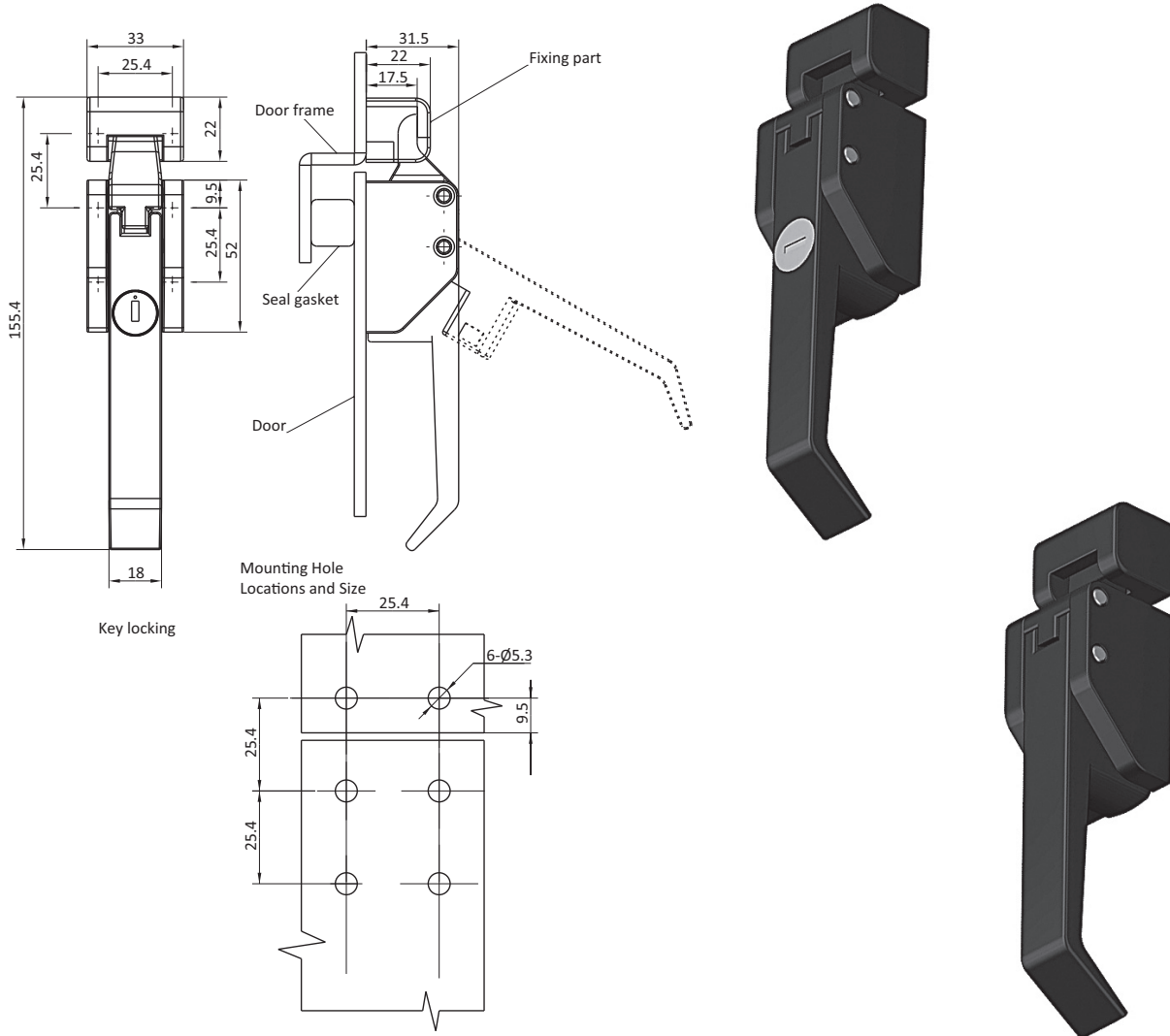
DESCRIPTION	For easy, secure, and compressive latching and locking of doors and flaps.
MATERIAL	304 Stainless Steel
SURFACE	Passivated



08100993

OVER-CENTER DRAW LATCHES

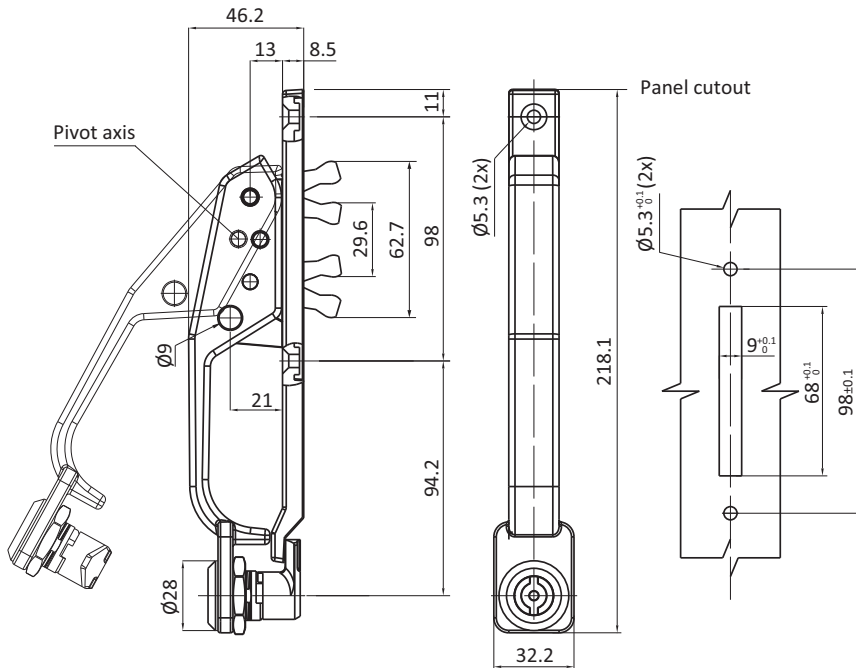
DESCRIPTION	For easy, secure, and compressive latching and locking of doors and flaps.
MATERIAL	Die-cast zinc / 316 SS
SURFACE	Black powder coated / Chrome plated



Screw Hole	Lock Style	Die-cast Zinc, black powder coated	Die-cast Zinc, chrome plated	316 SS
		M5 x 0.8	FH751 locking	0810433
	Non-locking	0810430	0810432	0810431
10 - 32UNC	FH751 locking	0813052	0813053	0813054
	Non-locking	0813055	0813056	0813057

DRAW LATCHES

DESCRIPTION	For easy and secure latching and locking of doors and flaps. Wide range of cams and accessories.
MATERIAL	Die-cast zinc
SURFACE	Black Powder Coat / Black E-Coat / RAL 7012 Powder Coat
SPECIALS	Double Bit 4mm Insert



Push To Close Quarter Turn Locks

Die-cast Zinc,
black powder coated

0810121

Die-cast Zinc,
black E-coated

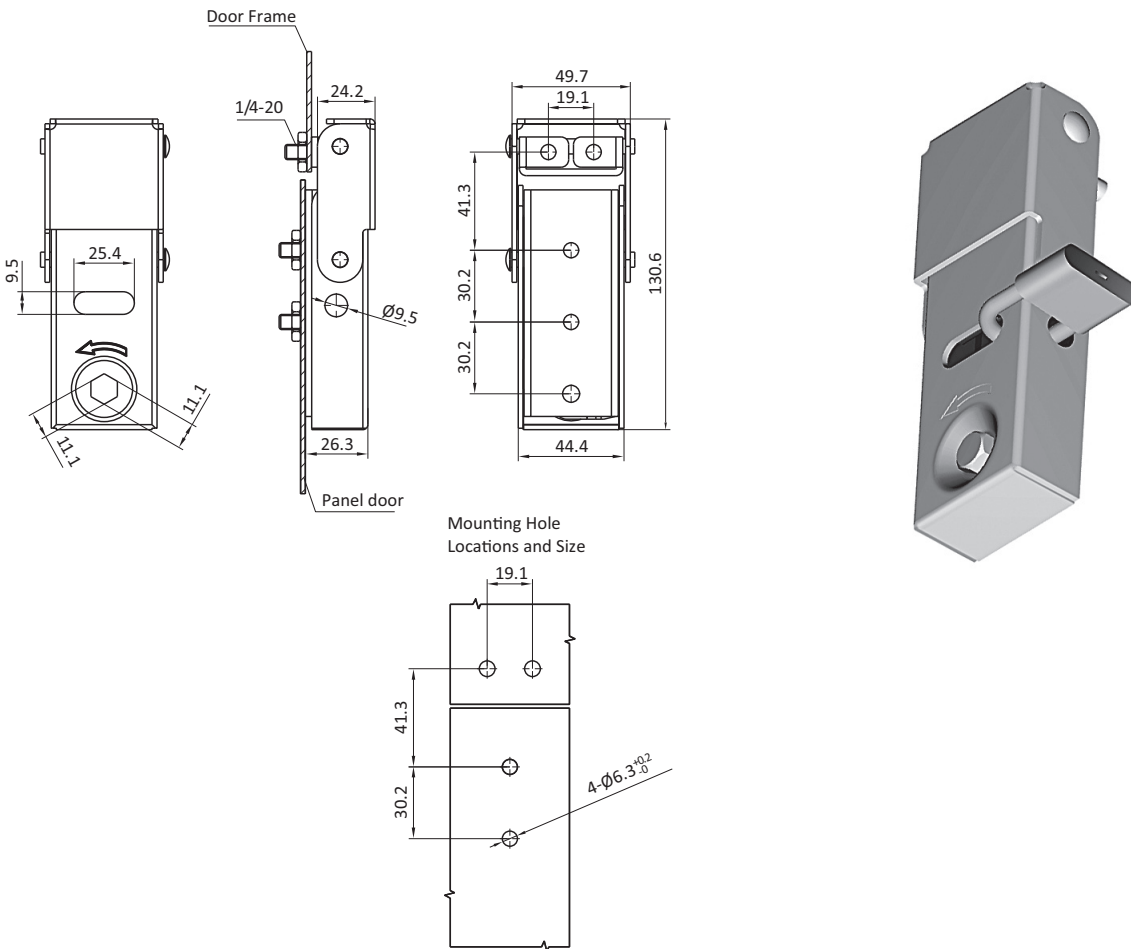
0810122

Die-cast Zinc,
RAL 7012 powder coated

0811037

OVER-CENTER DRAW LATCHES

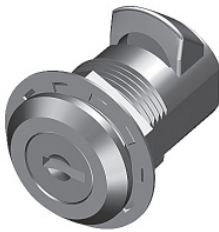
DESCRIPTION	For easy, secure, and compressive latching and locking of doors and flaps.
MATERIAL	304 / 316 SS / Mild Steel
SURFACE	Zinc plated
SPECIALS	Padlock Compatible



Over-Center Draw Latches	Material	Part #
	316 SS	0813062
	304 SS	0813063
	Mild Steel	0813064

INDUSTRIAL HARDWARE

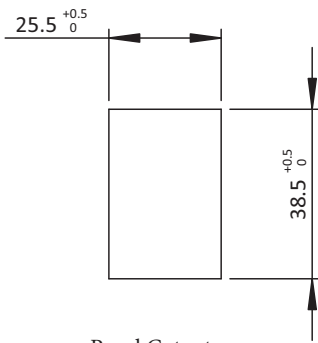
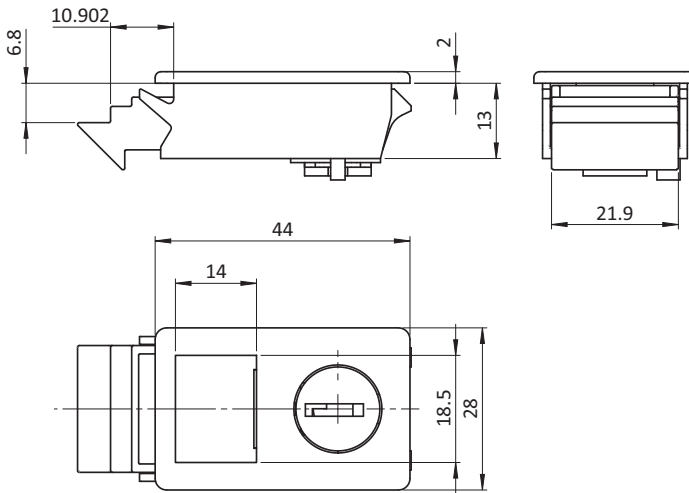
CHAPTER 3: **SLAM LATCHES**



SLIDE LATCH	80-81
SLAM LATCH	82
SLAM LATCHES	83
QUICK RELEASE CLAMP	83-85
SLAM LATCHES	86
SLAM LATCH ACCESSORIES	87-88
SLAM TO CLOSE PUSHBUTTON LATCH	89-90
SLAM LATCH	91-92
PUSH TO CLOSE PADDLE LATCH	93-94
SLAM TO CLOSE PADDLE LATCH	95-96
SLAM/SLIDE LATCHES COMPACT	97
TWIN SLAM LATCH	98
EMERGENCY OPENER FOR SLAM LATCHES	99

SLIDE LATCH

DESCRIPTION	Slam to close latch for panels and doors
MATERIAL	Nylon PA, glass fiber reinforced
COLOR	Black



Panel Cutout



Slide Latch

Part #

Key Locking FH333

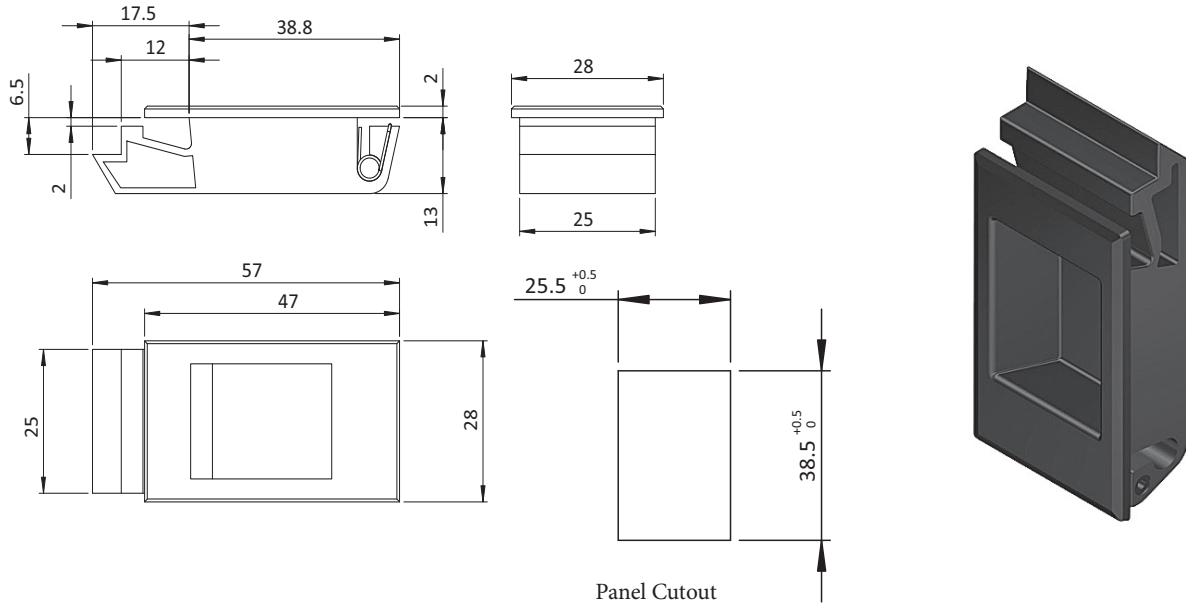
0810094S01

Key Locking FH2233

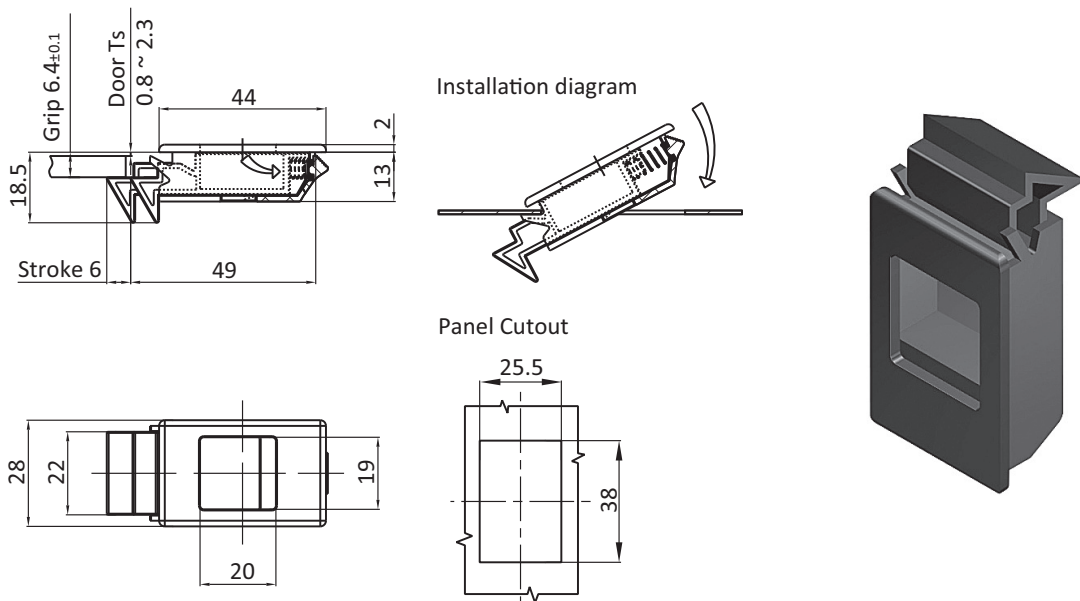
0810094S06

SLIDE LATCH

DESCRIPTION	Slam to close latch for panels and doors
MATERIAL	Housing: ABS Spring: SS
COLOR	Black



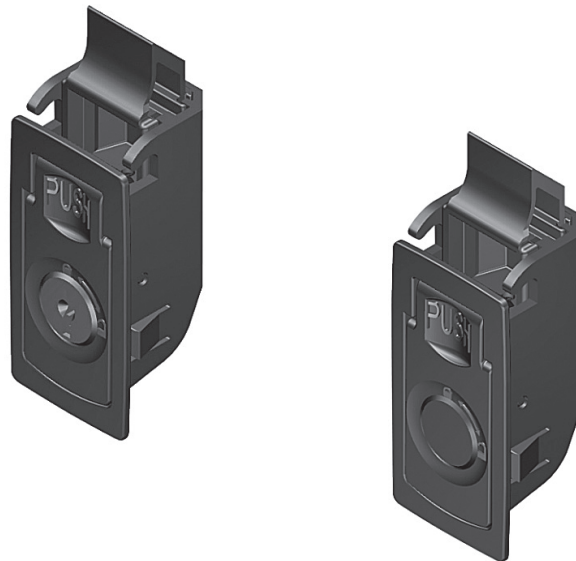
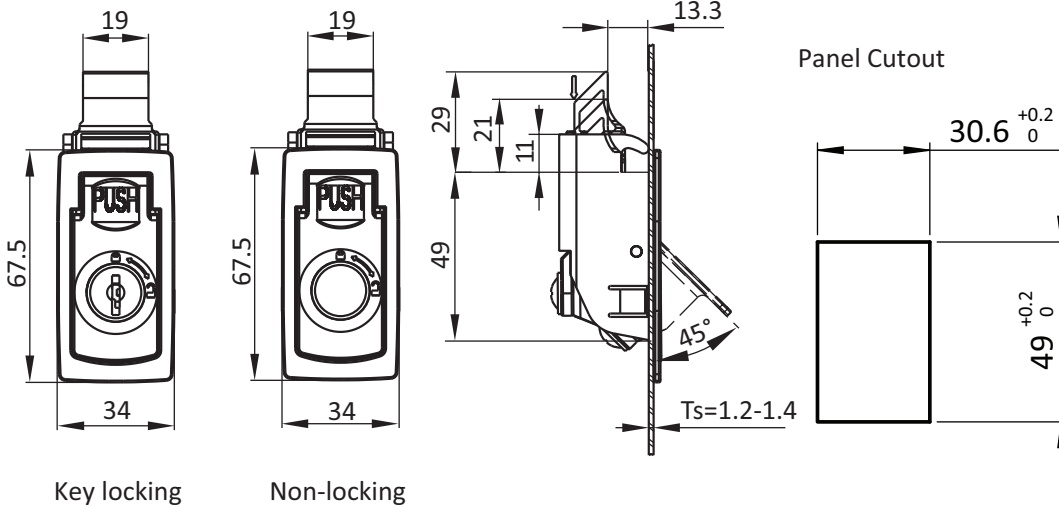
Slide Latch	Panel Thickness	
With Return Spring	0.8 - 1.2	1.2-1.5
	089201	089202



Slide Latch	Panel Thickness [mm]
With Return Spring	0.8 - 2.3
	0810094

SLAM LATCH

DESCRIPTION	Slam to close latch for easy and secure latching and locking of panels and doors
MATERIAL	Nylon PA, glass fiber reinforced
COLOR	Black



Slam Latch

Part #

Key Locking FH333

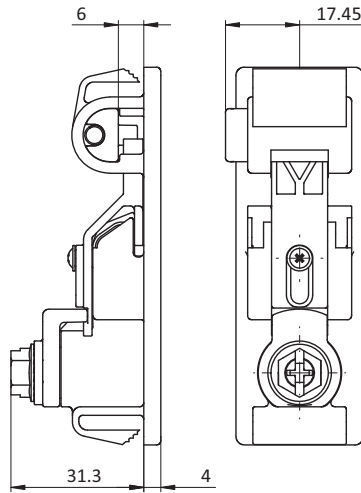
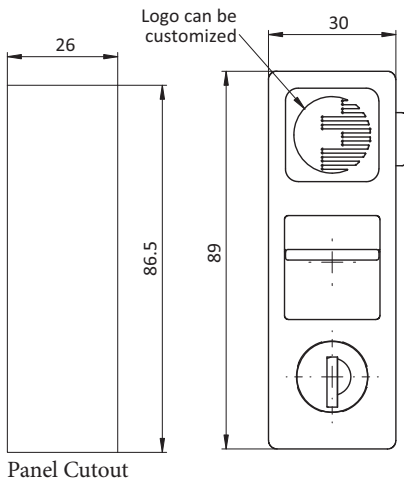
089203

Non-Locking

089204

SLAM LATCHES

DESCRIPTION	For easy and secure latching and locking of doors and flaps, no mechanical preparation needed for the assembly.
MATERIAL	PA6 30 housing, Die cast zinc bolt
SURFACE	Natural Black
FASTENING	Snap in

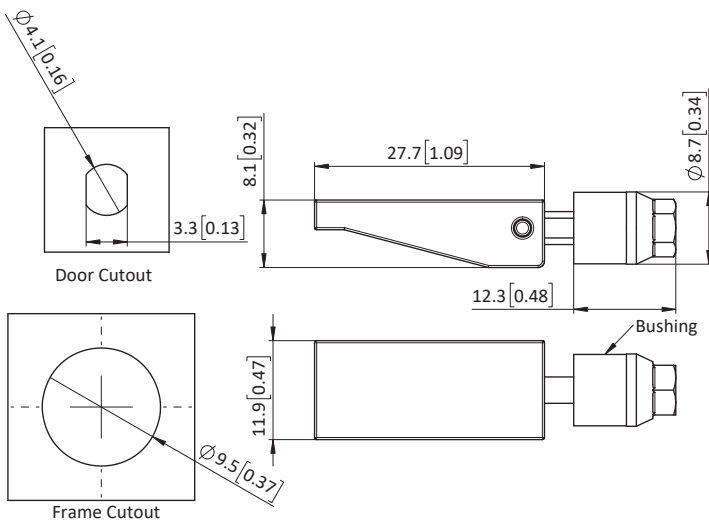


LEFT HAND VERSION SHOWN

Slam Latch - Snap In	Lock	Left Hand	Right Hand
	Keyed FH333	0850197	0850197S02
	Keyed FH751	0850197S03	0850197S04
	Non Locking	0850197S05	0850197S06

QUICK RELEASE CLAMP

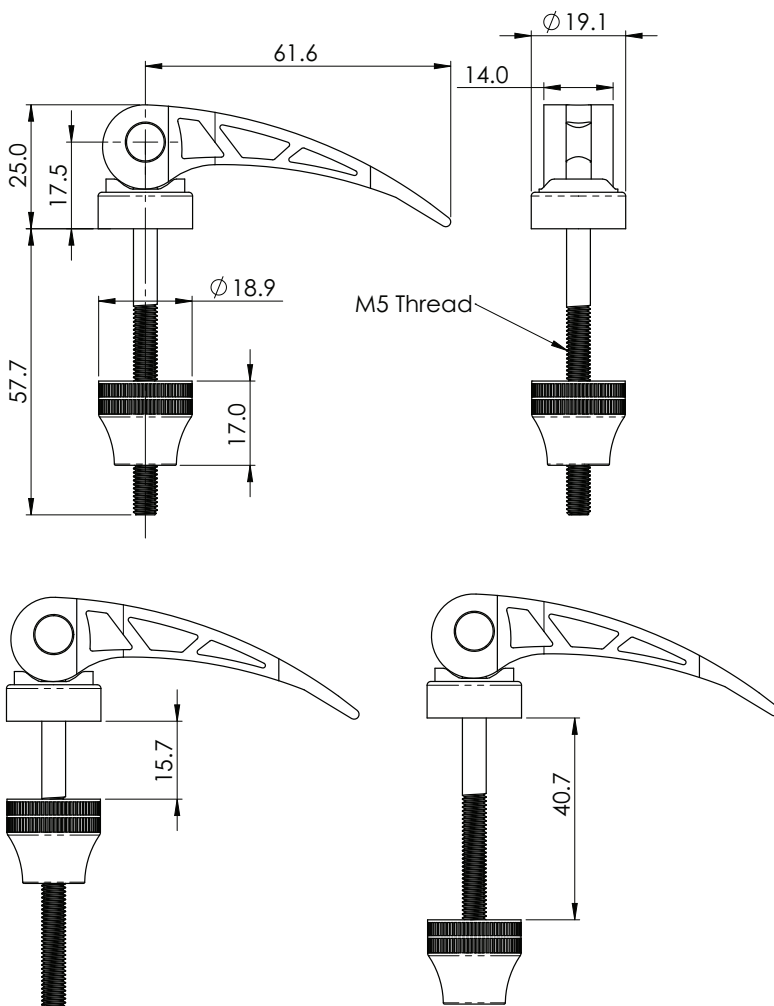
DESCRIPTION	For easy and secure latching and locking of doors and flaps, no mechanical preparation needed for the assembly.
MATERIAL	PA6 30 housing
SURFACE	Black
FASTENING	Swell Latch



Slam Latch	Part #
Swell Latch	0850487

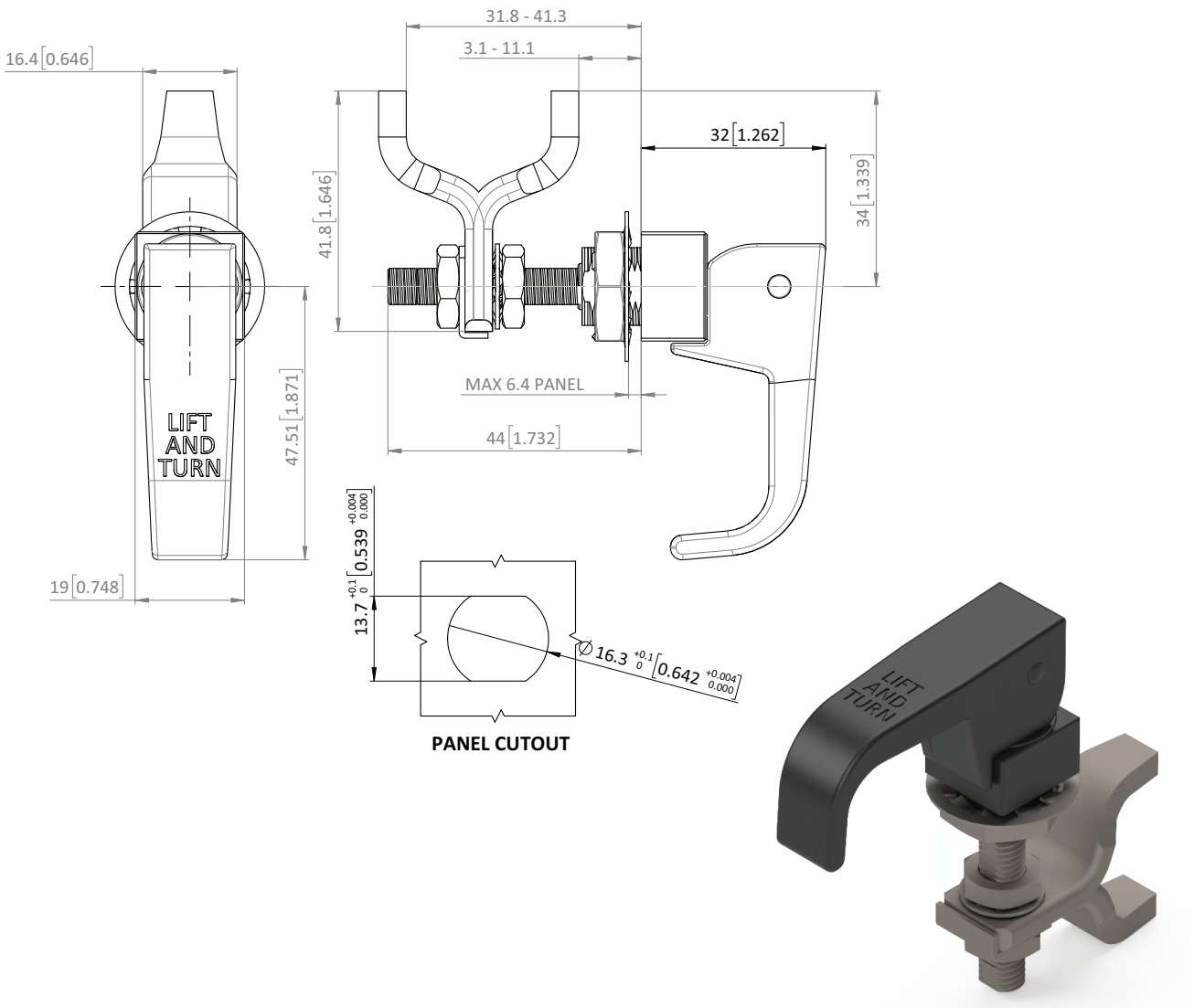
QUICK RELEASE CLAMP

DESCRIPTION	For easy and secure latching and locking of doors and flaps.
MATERIAL	Handle: Die cast zinc Cup: PA6 30 Hardware: Mild Steel
SURFACE	Handle: Black E-Coat Cup: Black Hardware: Clear Zinc Plated
FASTENING	Screw On



QUICK RELEASE CLAMP

DESCRIPTION	For easy and secure latching and locking of doors and flaps.
MATERIAL	Handle: Die cast zinc Hardware: Mild Steel
SURFACE	Handle: Black E-Coat Hardware: Clear Zinc Plated
FASTENING	Screw On

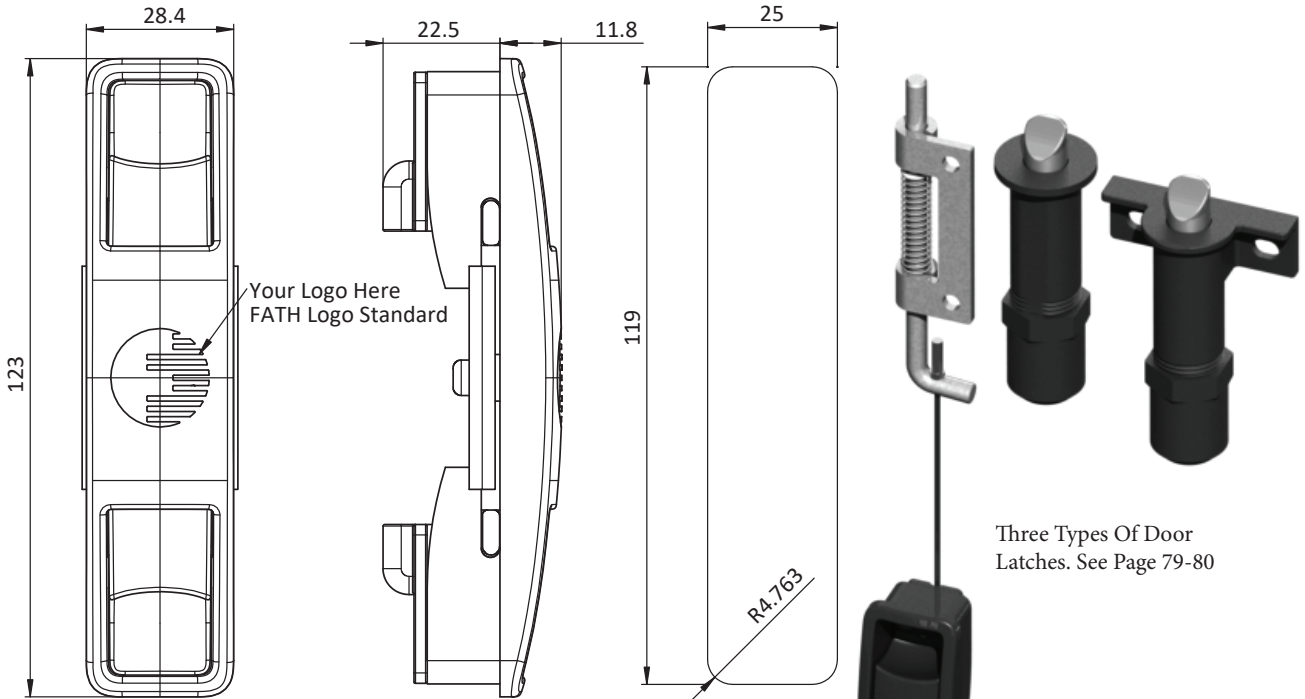


Quick Release Clamp

Part #
0850490

SLAM LATCHES

DESCRIPTION	For easy and secure latching and locking of doors and flaps, no mechanical preparation needed for the assembly.
MATERIAL	PA6 30, Die cast zinc
SURFACE	Natural Black, Chrome Plated
FASTENING	Screw On



Three Types Of Door Latches. See Page 79-80



Other Key Options Available Upon Request

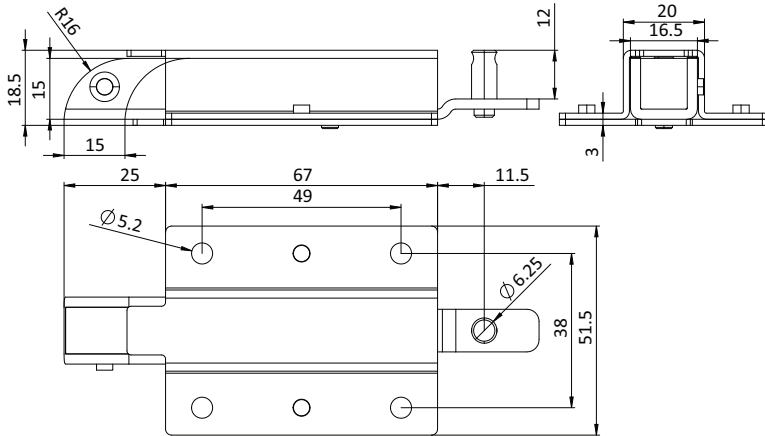
FH333 Keyed

Flexible Cable Top And Bottom Cut To The Height Of Your Door

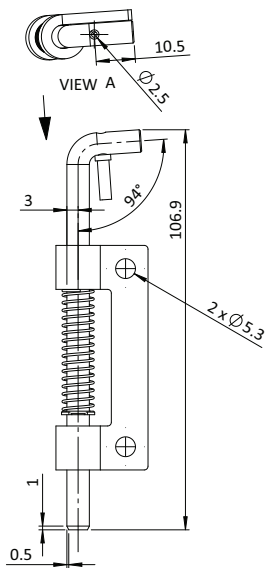
Slam Latch	Part #
Non Locking	0850484
8mm Triangular Key Locking	0850484S01
FH333 Keyed	CP101809056

SLAM LATCH ACCESSORIES

DESCRIPTION	Slam to close latch for easy and secure latching and locking of panels and doors
MATERIAL	Mild Steel
COLOR	Clear Zinc Plate



STYLE A



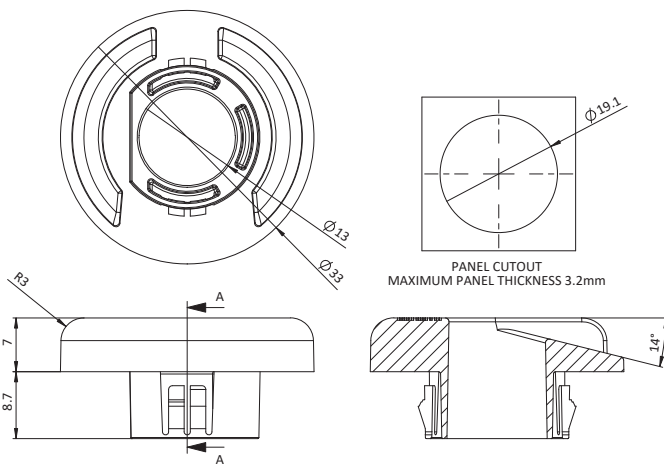
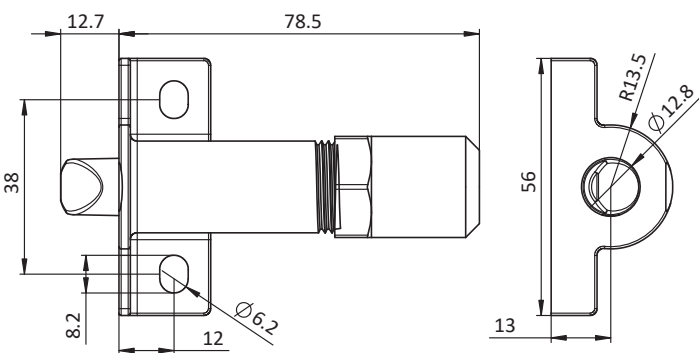
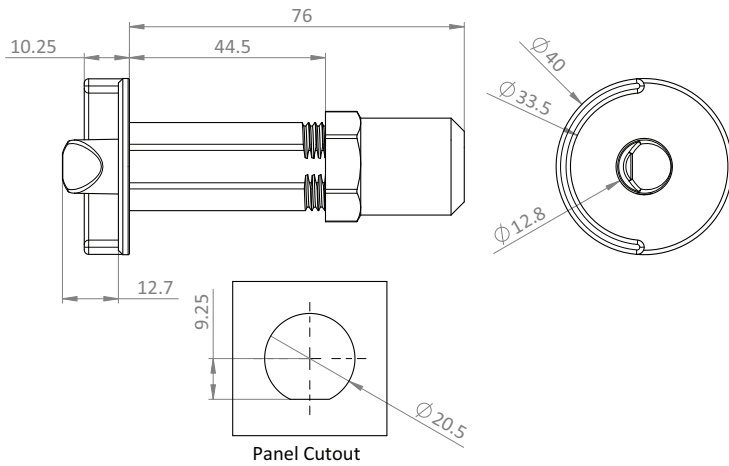
STYLE B



Style	Compression Force	Part #
A	13 Pounds Compression	0814701
A	4.5 Pounds Compression	0814701S01
B	NA	CP101780002

SLAM LATCH ACCESSORIES

DESCRIPTION	Slam to close latch accessories for easy and secure latching and locking of panels and doors
MATERIAL	Die Cast Zinc, PA6 30
COLOR	Clear Zinc Plate



Slam Latch Accessories

Part #

Slam Bolt - D-Hole

CP10189001

Slam Bolt - Bolt On

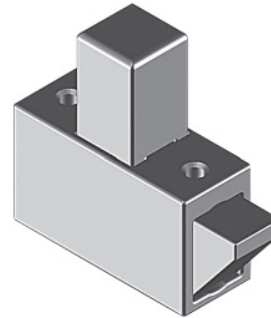
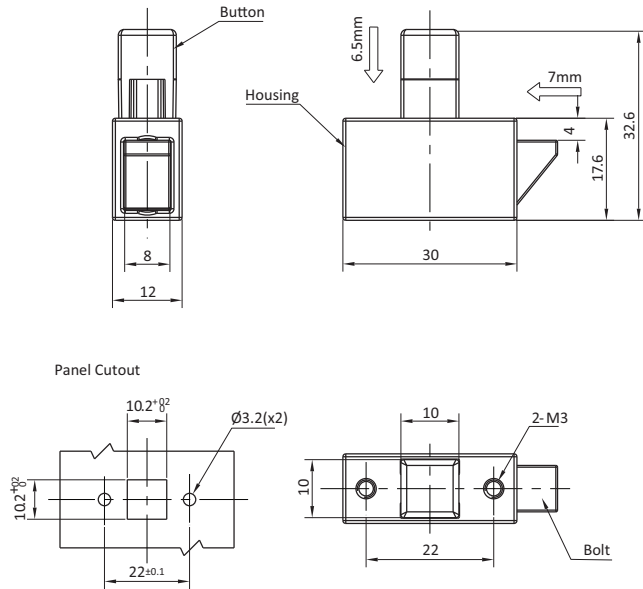
CP101809052

Slam Bolt Bushing

0850486

SLAM TO CLOSE PUSHBUTTON LATCH

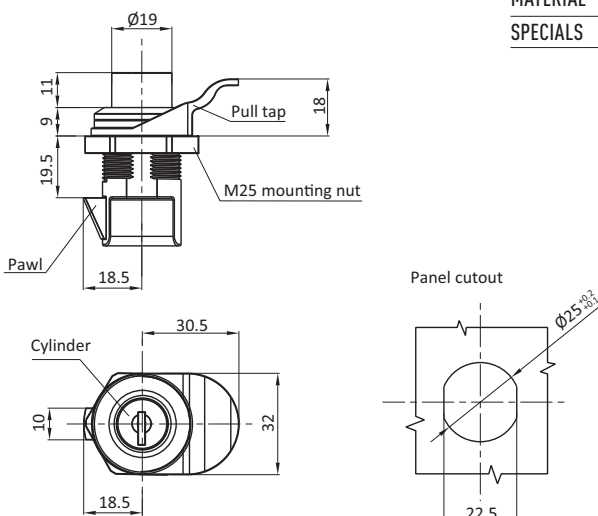
DESCRIPTION	Slam to close latch for easy and secure latching and locking of panels and doors
MATERIAL	Die cast zinc Spring and pin: Stainless steel
SURFACE	Nickel plated



Slam to close Pushbutton Latch

Part #
0813153

DESCRIPTION	For easy and secure latching and locking of doors and flaps.
MATERIAL	Housing and pull: PA
SPECIALS	Right and left

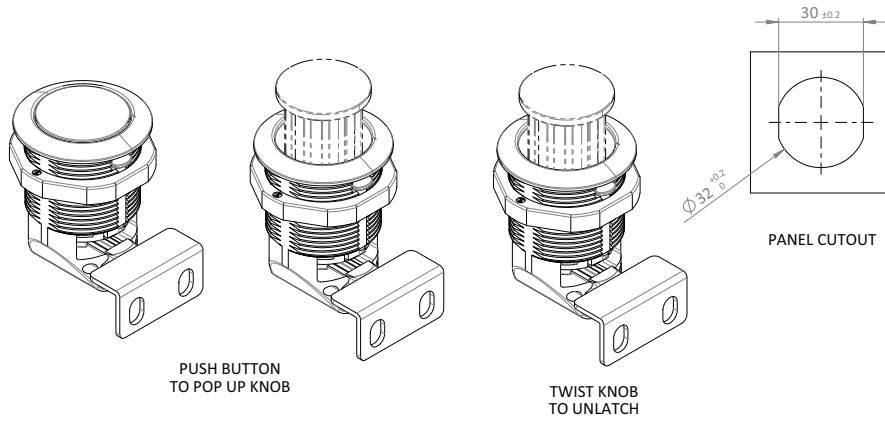
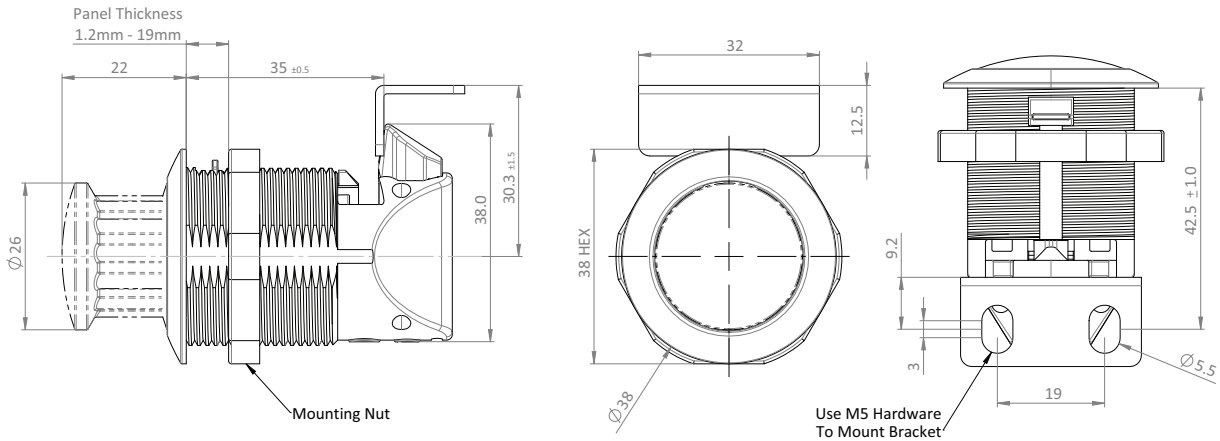


Push To Close Quarter Turn Locks

	Latch Parallel to Pull	Latch Perpendicular to Pull
Key locking	0810664	0810664S01
Non-locking	0810665	0810665S01

SLAM TO CLOSE PUSHBUTTON LATCH

DESCRIPTION	For easy and secure latching and locking of doors and flaps.
MATERIAL	Housing and button: PC + ABS Retainer: 304 Stainless Steel
SPECIALS	Right and left



Push To Close Quarter Turn Locks

Black

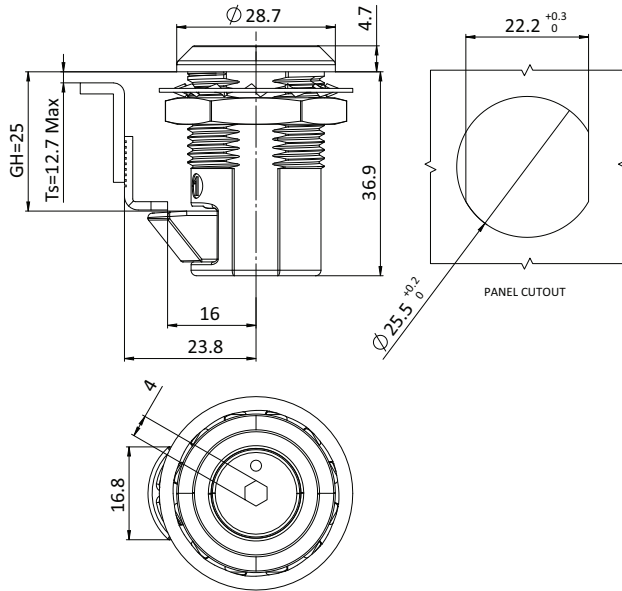
Chrome

0814800

0814800S01

SLAM LATCH

DESCRIPTION	Slam to close latch for easy and secure latching and locking of panels and doors
MATERIAL	Housing: Die-cast zinc Cam: Acetal, Black
SURFACE	Chrome plated



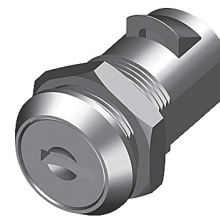
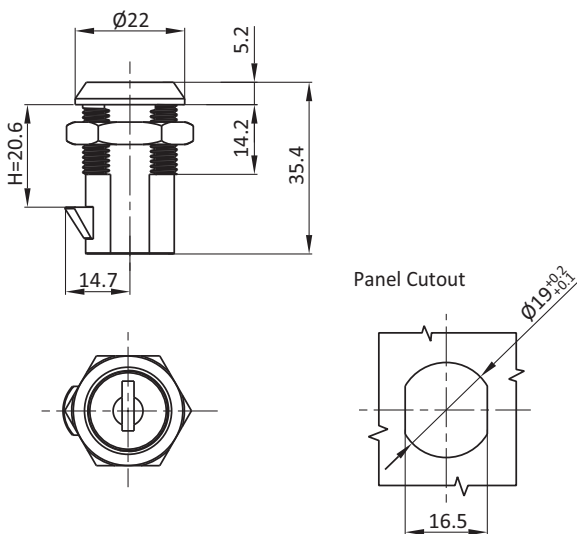
Push To Close Slam Latch

Part #

FH751 Key Locking
M4 Female Hex

0810235
0810235S02

DESCRIPTION	Slam to close latch for easy and secure latching and locking of panels and doors
MATERIAL	Die-cast zinc
SURFACE	Chrome plated



Push To Close Slam Latch

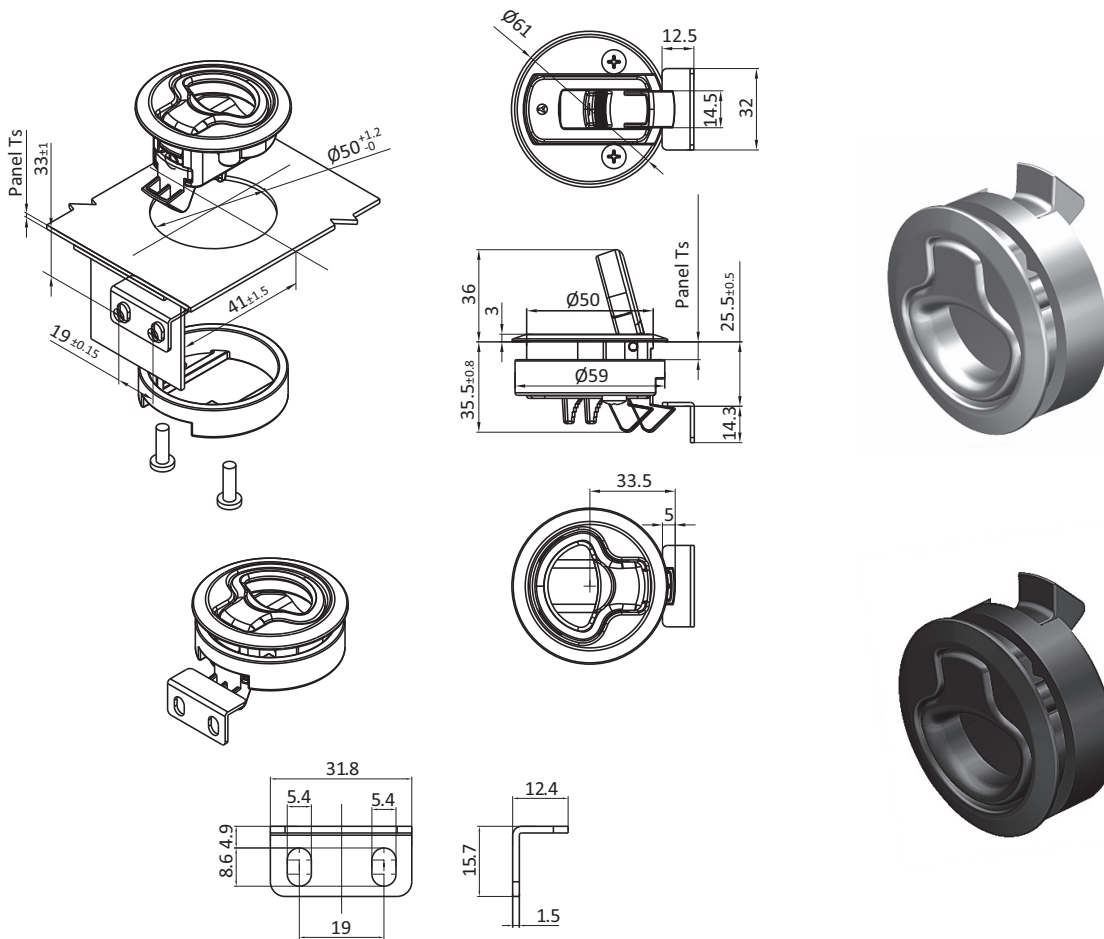
Part #

FH751 Key Locking

0810236

SLAM LATCHES

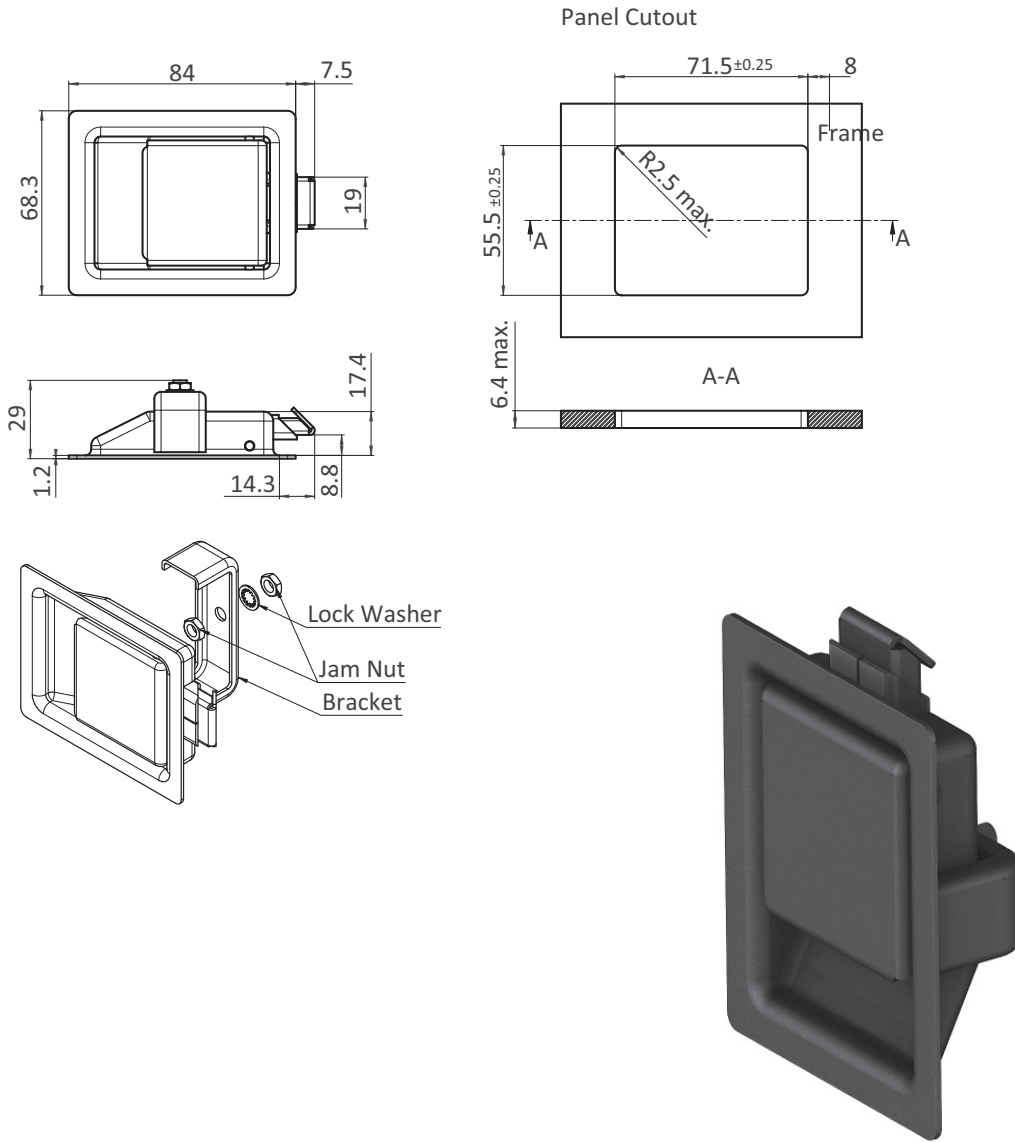
DESCRIPTION	Slam to close latch for easy and secure latching and locking of panels and doors
MATERIAL	PA, Stainless Steel, Die Cast Zinc
COLOR/FINISH	Black / Grey, Chrome Plated



Panel Thickness min - max. [mm]	FH751 Key Locking				Non Locking		
	Acetal black	Acetal Grey	Die Cast Zinc Chrome Plated	Stainless Steel	Die Cast Zinc Chrome Plated	Acetal black	Acetal Grey
2 - 7	0813132	0813133		0813134E		0813134	0813135
2 - 12			0813585		0813586		
7 - 12	0813136	0813137		0813138E		0813138	0813139
12 - 17	0813140	0813141		0813142E		0813142	0813143
17 - 22	0813144	0813145		0813146E		0813146	0813147

PUSH TO CLOSE PADDLE LATCH

DESCRIPTION	Push to close latch for easy and secure latching and locking of panels and doors
MATERIAL	Mild steel
COLOR	Black powder coated



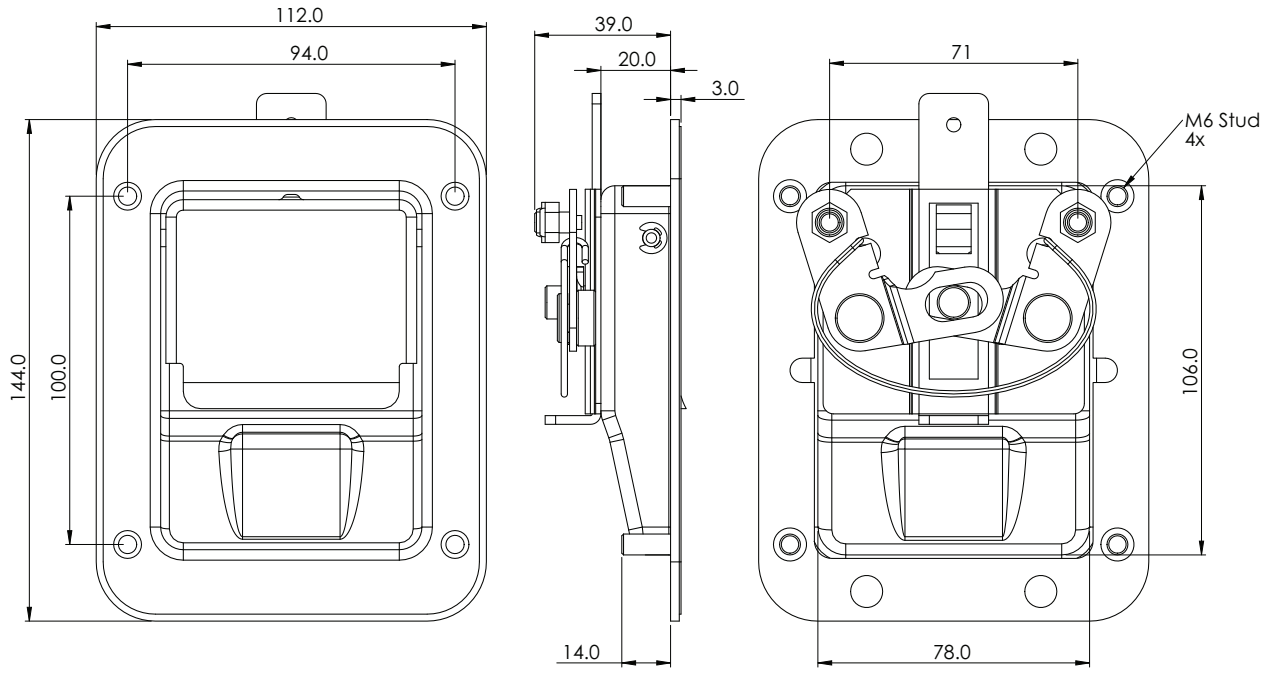
Push To Close Paddle Latch

Part #

0810531

PUSH TO CLOSE PADDLE LATCH

DESCRIPTION	Push to close latch for easy and secure latching and locking of panels and doors. Three point latching
MATERIAL	Mild steel
COLOR	Black powder coated



PANEL CUTOUT

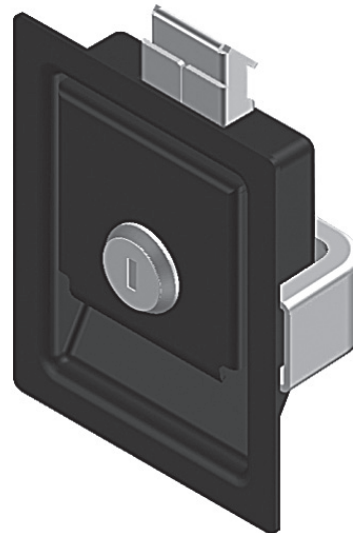
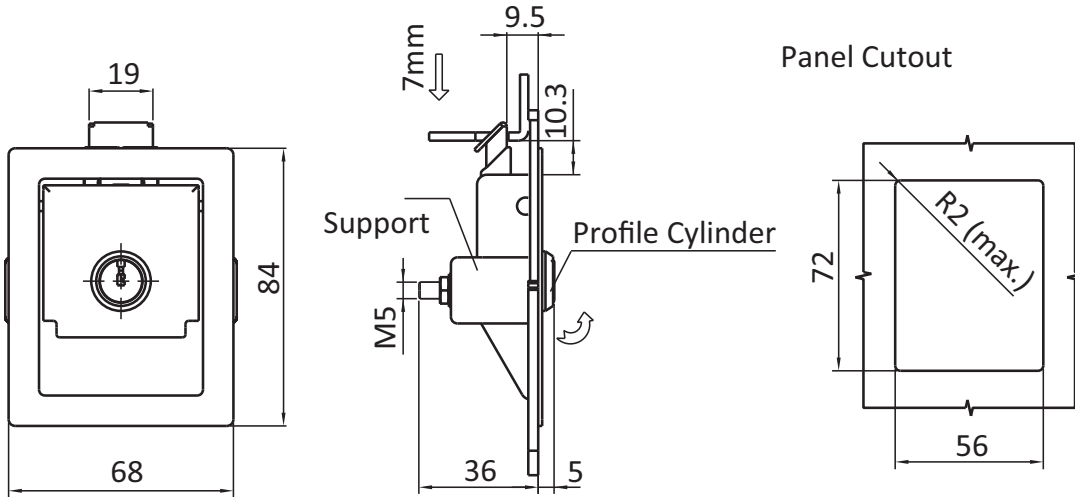
Push To Close Paddle Latch

Part #

0850224

SLAM TO CLOSE PADDLE LATCH

DESCRIPTION	For easy, secure, and compressive latching and locking of doors and flaps
MATERIAL	Pad, handle, hook and hasp: CRS and 304 SS Cam: Mild steel
SURFACE	Dish and cylinder: Black powder coated Cam: Zinc plated

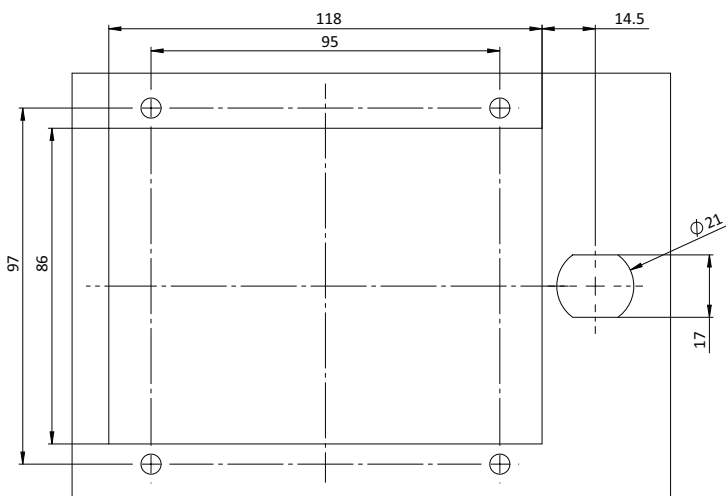
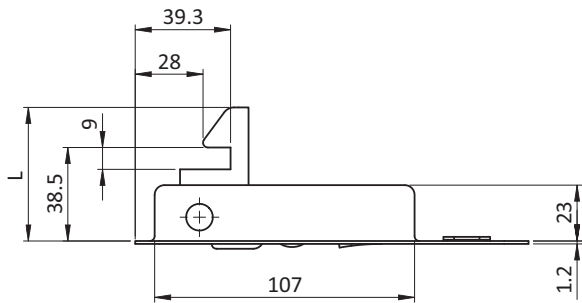
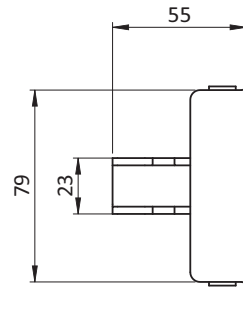
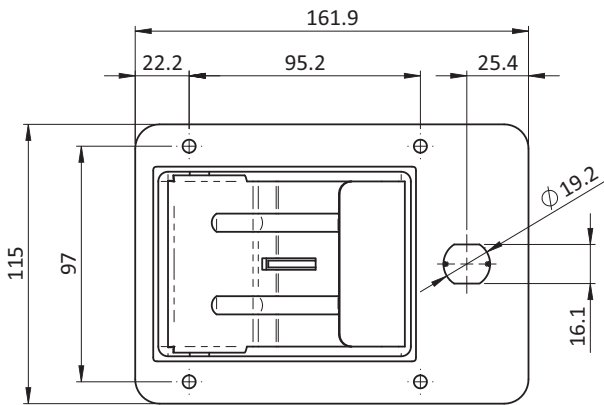


Panel Locks	Version	Die-cast Zinc, black powder coated	304 SS
	With insert	0813149	
	Without insert	0813150	



SLAM TO CLOSE PADDLE LATCH

DESCRIPTION	Slam to close latch for easy and secure latching and locking of panels and doors
MATERIAL	Pad, Handle, Hook and Hasp: CRS
COLOR	Black powder coated
SPECIALS	Pad-Lockable



Slam to Close Paddle Latch

L [mm]

Part #

56

0810405

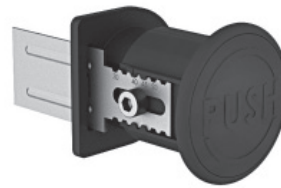
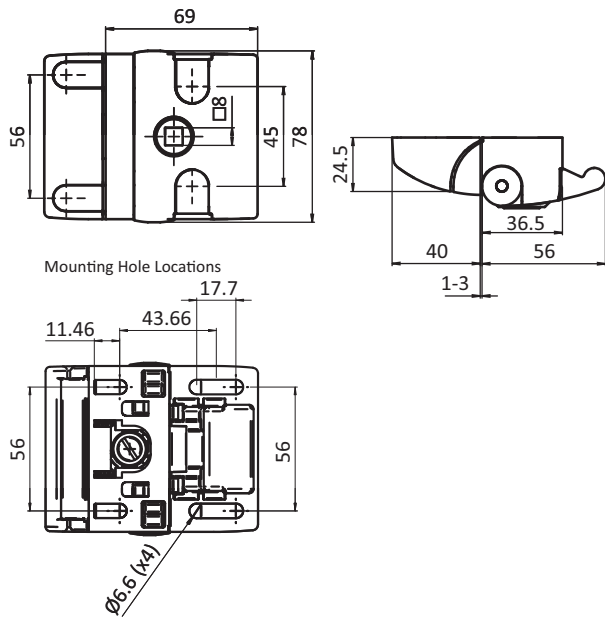
65

0810406



SLAM/SLIDE LATCHES COMPACT

DESCRIPTION	For easy and secure latching and locking of doors and flaps, no mechanical preparation needed for the assembly; safe against disassembling in the locked position
MATERIAL	Die-cast aluminum
SURFACE	Black powder coated / aluminum color powder coated
FASTENING	From the front, using M6 socket head or pan head screws



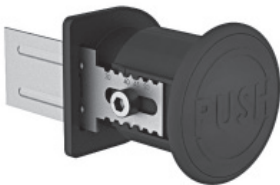
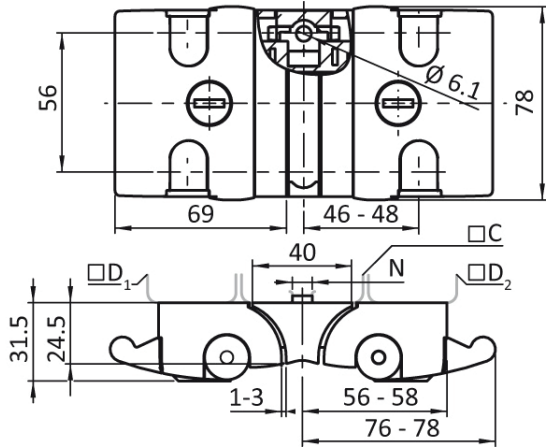
Emergency Opener can be found on page 89

Slam Latch	Surface	Lock	Weight [g]	Part #
SLAM LATCH	Black powder coated	Keyed FH333	235.5	0957408
		Keyed Differently	235.5	0957411
		Non Locking	204.0	0957410
		Square Insert	220.0	0957431
SLAM LATCH	Aluminum color powder coated	Double Bit Insert	220.0	0957432
		Keyed FH333	235.5	0957408S01
		Keyed Differently	235.5	0957411S01
SLIDE DOOR LATCH	Black powder coated	Non Locking	204.0	0957410S01
		Keyed FH333	246.0	0957415
		Keyed Differently	246.0	0957416
		Non-Locking	216.0	0957417



TWIN SLAM LATCH

DESCRIPTION	For easy and secure latching and locking of doors and flaps, no mechanical preparation needed for the assembly; safe against disassembling in the locked position
MATERIAL	Die-cast aluminum
SURFACE	Black powder coated
FASTENING	From the front, using M6 socket head or pan head screws

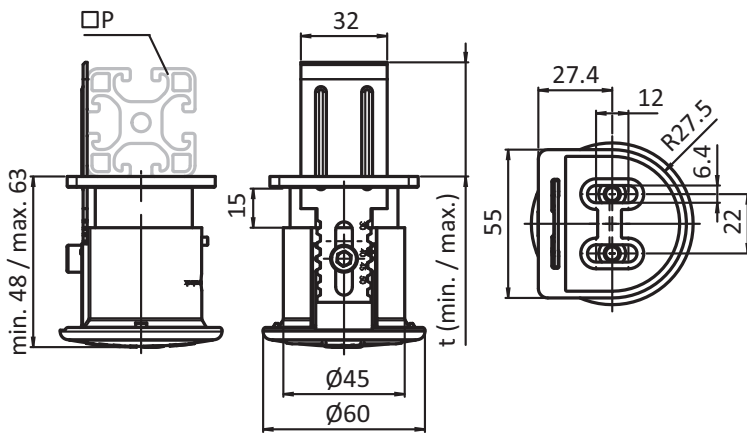


Emergency Opener can be found on page 89

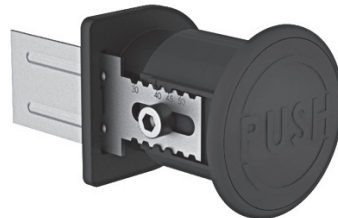
Slam Latch	Lock	Weight [g]	Part #
Black powder coated	Keyed FH333	235.5	0957420S01
	Keyed Differently	235.5	0957420S02

EMERGENCY OPENER FOR SLAM LATCHES

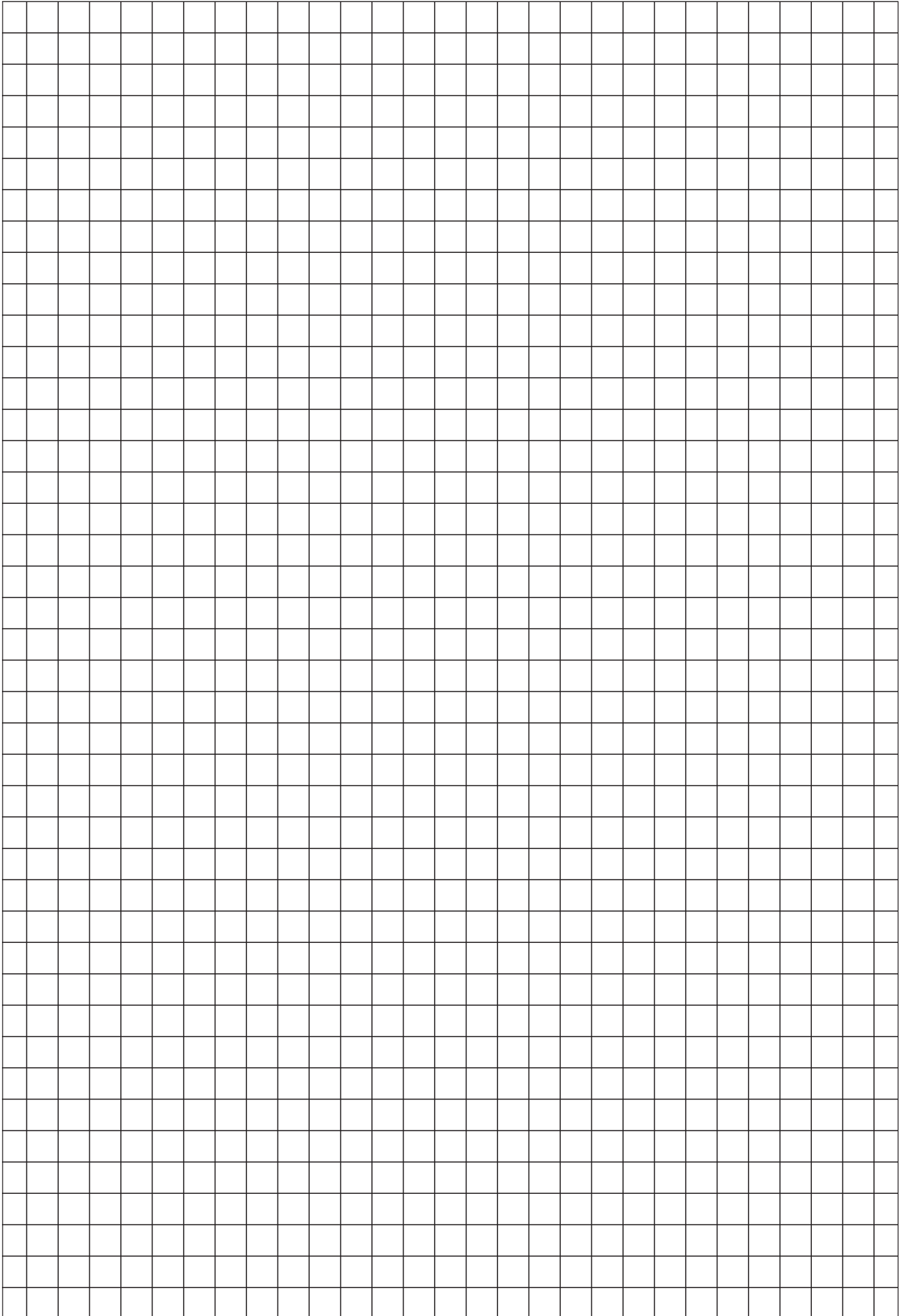
DESCRIPTION	Inside emergency release for slam latches PROe, PRO and Compact; with or without safety catch
MATERIAL	Base part: Nylon PA, glass Fiber reinforced Push button: Nylon PA, glass Fiber reinforced Unlocking plate: Steel
SURFACE	Unlocking plate: Zinc plated
COLOR	Base part: Black Push button: Red ≈RAL 3020
FASTENING	From the front, using two socket head screws DIN 912 M6 x 20, Hardware included



Used for Slam Latches on Pages 87 and 88



Emergency Opener for Slam Latch	t (min.) [mm]	t (max.) [mm]	P [mm]	Weight [g]	Part #
Without safety catch	30	50	30-50	110.8	0957409
	60	80	60-80	115.4	0957409S03
With safety catch	30	50	30-50	110.8	0957409S02



INDUSTRIAL HARDWARE

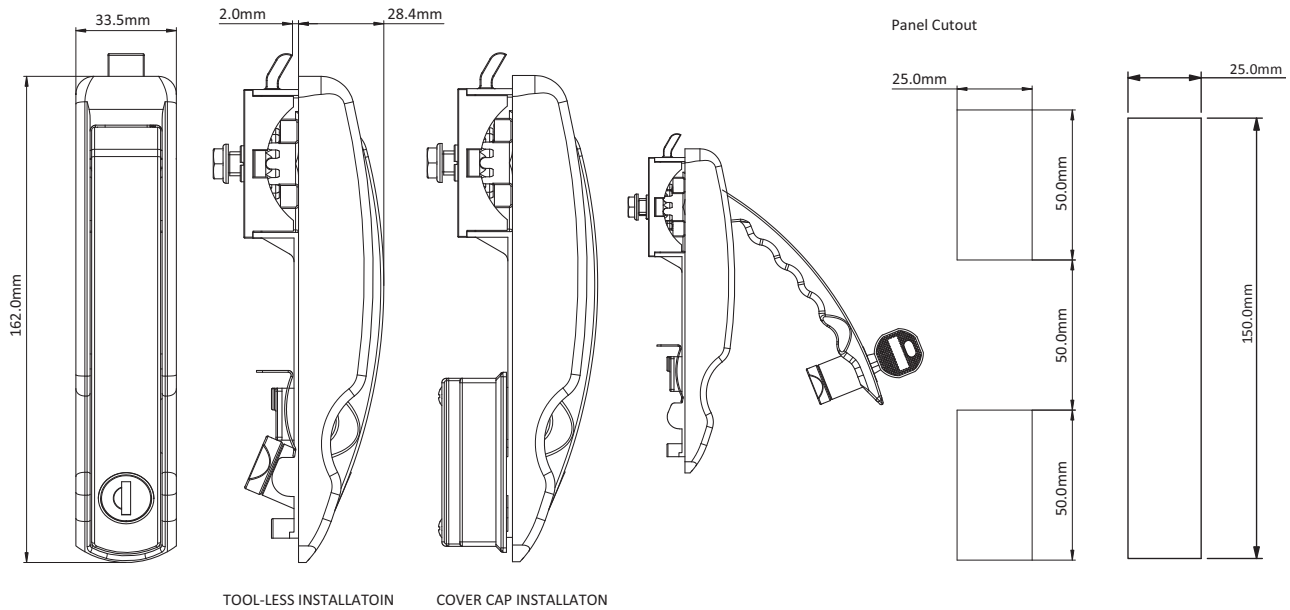
CHAPTER 4: SWING HANDLES



CYLINDER LOCK LEVER HANDLE - CAM CONTROL	102-105
PROFILE CYLINDER SWING HANDLE - CAM CONTROL	106
BEST CYLINDER SWING HANDLE - CAM CONTROL	107
PROFILE CYLINDER SWING HANDLE - CAM CONTROL	108
CYLINDER LOCK SWING HANDLE - CAM CONTROL	109
PROFILE CYLINDER SWING HANDLE - CAM CONTROL	110
PROFILE CYLINDER LOCK SWING HANDLE - CAM CONTROL	111
CYLINDER LOCK SWING HANDLE - CAM CONTROL	112-114
COMBINATION LOCK SWING HANDLE - CAM STYLE	115
COMBINATION LOCK SWING HANDLE WITH BEST CYLINDER	116
CYLINDER LOCK SWING HANDLE - CAM CONTROL	117-118
VANDAL RESISTANT SWING HANDLE	119
PADLOCKABLE SWING HANDLE	120
CYLINDER LOCK SWING HANDLE - ROD CONTROL	121-129
PROFILE CYLINDER LOCK SWING HANDLE - ROD CONTROL	130
CYLINDER LOCK SWING HANDLE - ROD CONTROL	131
COMBINATION LOCK SWING HANDLE	132
CYLINDER LOCK SWING HANDLE - ROD CONTROL	133
CYLINDER LOCK SWING HANDLE - SPECIAL	134
CYLINDER LOCK SWING HANDLE - ROD CONTROL	135

CYLINDER LOCK LEVER HANDLE - CAM CONTROL

DESCRIPTION	For easy and secure latching and locking of doors and flaps. Wide range of inserts, cams, and accessories.
MATERIAL	PA 30% glass filled Mounting bracket, push plate, baffle plate and pin: Stainless steel
SURFACE	Black
SPECIALS	Right and Left Keyed FH333



Mounting panel thickness 1.0-2.0mm



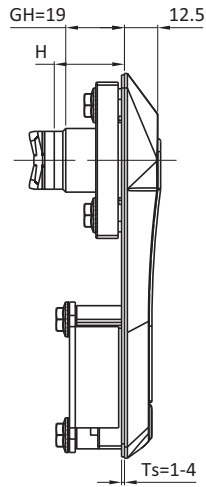
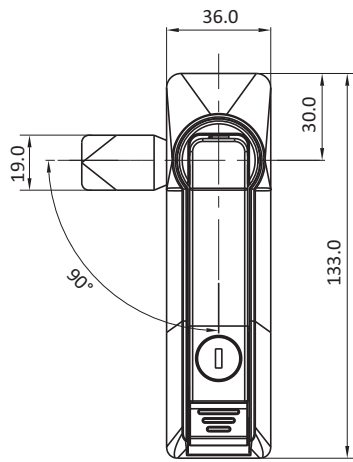
We can incorporate your company logo onto either the front or side of the handle upon request

Examples above

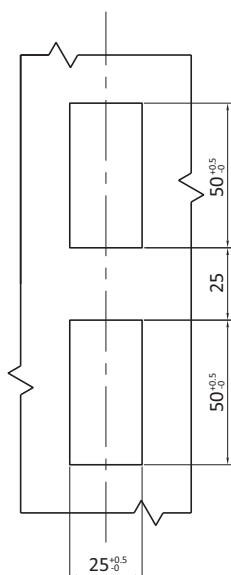
Key Options	Mounting Options	Standard Operation	Spring Assist Operation	Constant Friction Operation
FH333	Tool-Less Installation	0813569	0813569S01	0813569S02
	Dust Cap Installation	0850111	0850111S01	0850111S02
FH2233	Tool-Less Installation	0813569S04	0813569S05	0813569S03
	Dust Cap Installation	0850111S04	0850111S05	0850111S03

CYLINDER LOCK SWING HANDLE - CAM CONTROL

DESCRIPTION	For easy and secure latching and locking of doors and flaps. Wide range of inserts, cams, and accessories.
MATERIAL	Body: Die-cast zinc Hardware: Mild steel
SURFACE	Body: Black powder coated Hardware: Zinc plated
SPECIALS	Right and Left PUR foam gasket Keyed different on request FH751 key code on request Padlockable on request



Panel Cutout



Cylinder Lock Swing Handle - Cam Control

FH333 key

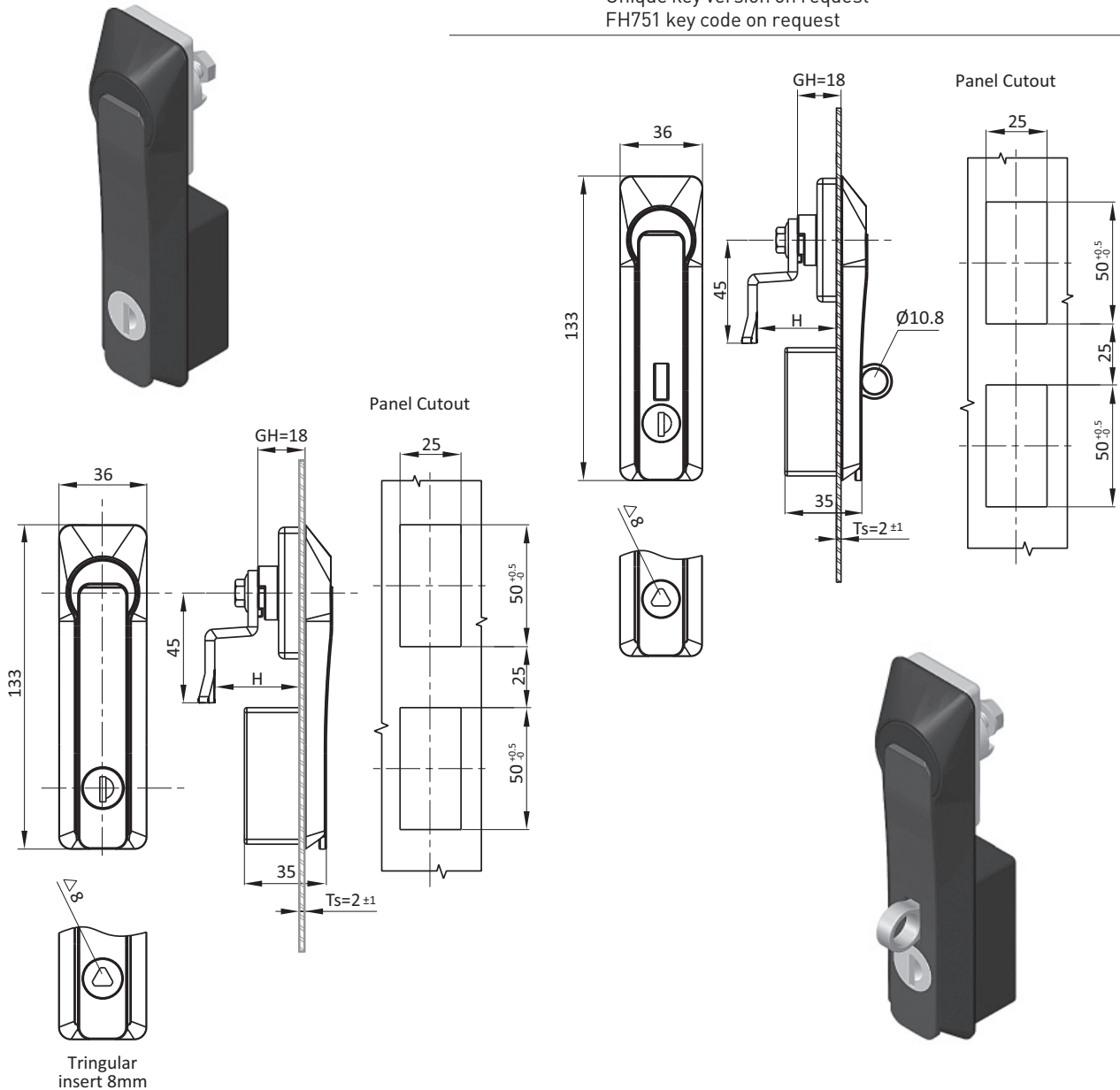
Part #

0813201

Compatible cams see pages 48-49, 238-239

CYLINDER LOCK SWING HANDLE - CAM CONTROL

DESCRIPTION	For easy and secure latching and locking of doors and flaps. Wide range of inserts, cams, and accessories.
MATERIAL	Body: PA, glass fiber reinforced Handle: Die cast zinc Shaft and hardware: Mild steel
COLOR	Body: Black
SURFACE	Shaft and hardware: Zinc plated
SPECIALS	Right and Left Unique key version on request FH751 key code on request

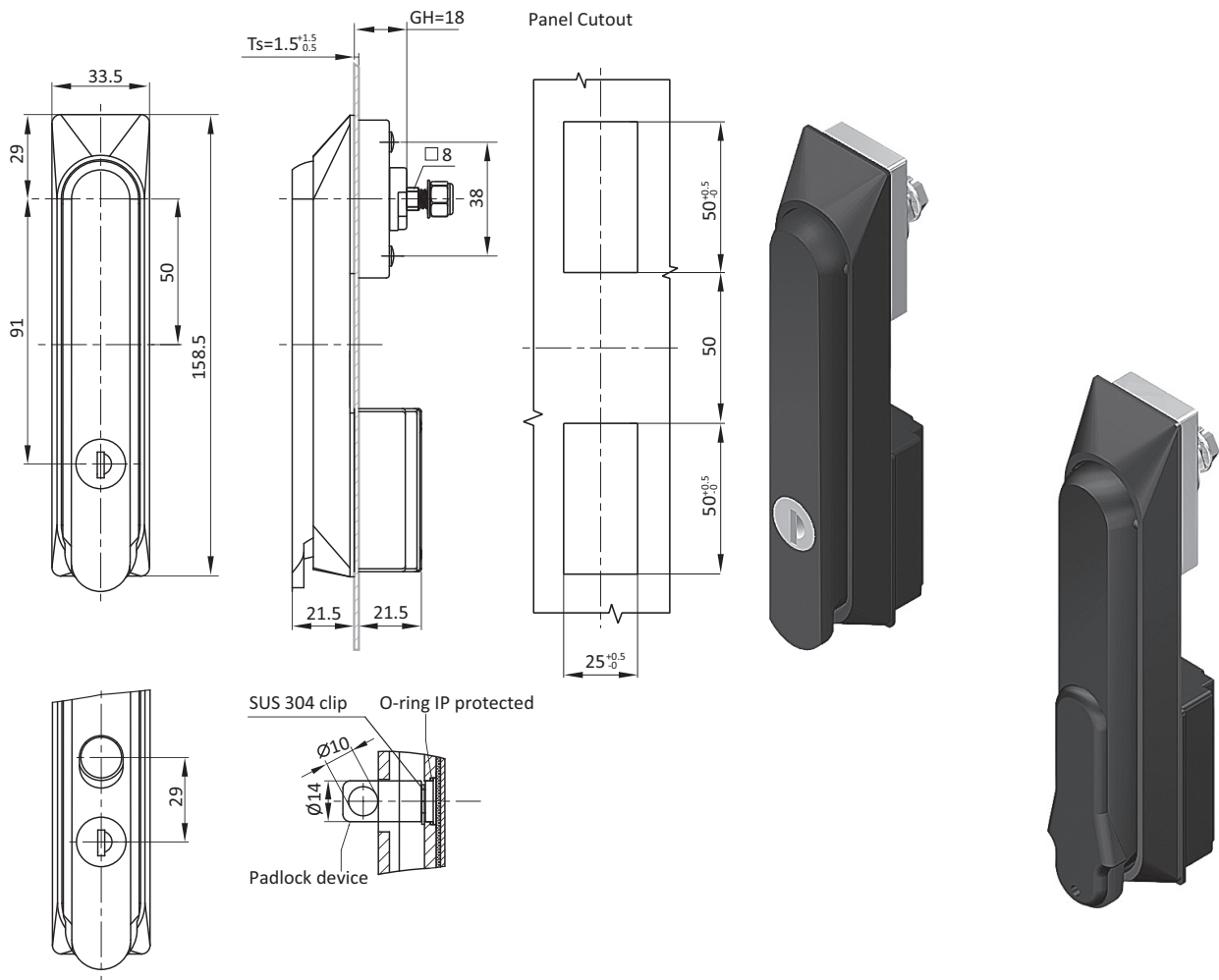


Cylinder Style	Padlock Compatible	Cam control black E-coated	Cam control black powder coated
With dust shutter and FH333 cylinder	Padlockable	0880025	0880029
	Without padlock	0880026	0880030
Triangle insert	Padlockable	0880027	0880031
	Without padlock	0880028	0880032

Compatible cams see pages 48-49, 238-239

CYLINDER LOCK SWING HANDLE - CAM CONTROL

DESCRIPTION	For easy and secure latching and locking of doors and flaps. Wide range of inserts, cams, and accessories.
MATERIAL	Body: PA, glass fiber reinforced Handle: Die cast zinc Shaft and hardware: Mild steel
COLOR	Body: Black
SURFACE	Shaft and hardware: Zinc plated
SPECIALS	Cam control Right and Left IP65 / NEMA 4 PUR Foam Gasket Unique key version on request FH751 key code on request Padlockable on request



Cylinder Style
 FH333 cylinder

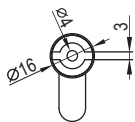
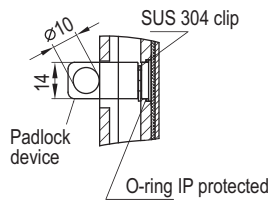
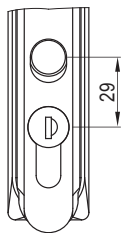
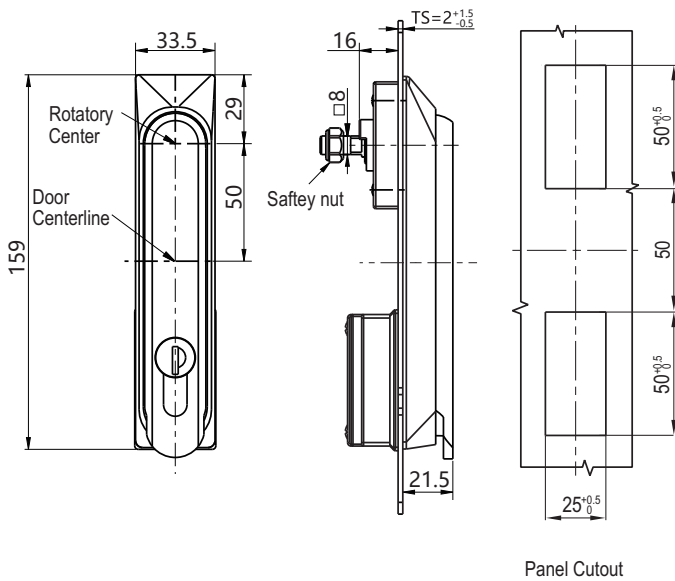
Cam control
 with dust shutter
0880001

Cam control
 without dust shutter
0880005

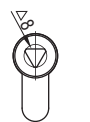
Compatible cams see pages 48-49, 238-239
 Chapter 5 and 9 for accessories

PROFILE CYLINDER SWING HANDLE - CAM CONTROL

DESCRIPTION	For easy and secure latching and locking of doors and flaps. Wide range of inserts, cams, and accessories.
MATERIAL	Body: PA, glass fiber reinforced Handle: Die cast zinc Shaft and hardware: Mild steel
COLOR	Body: Black
SURFACE	Shaft and hardware: Zinc plated
SPECIALS	Cam control Right and Left IP65 / NEMA 4 PUR Foam Gasket Unique key version on request FH751 key code on request Padlockable on request



Double Bit 4mm



Triangular 8mm



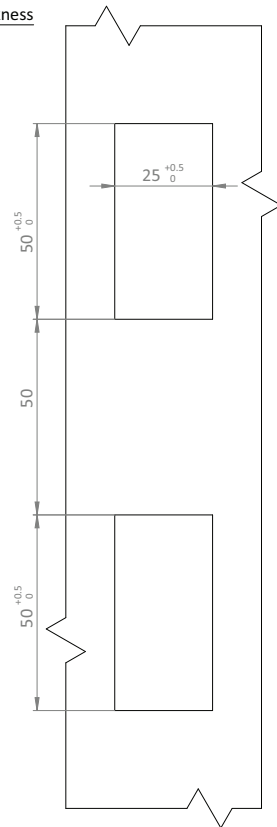
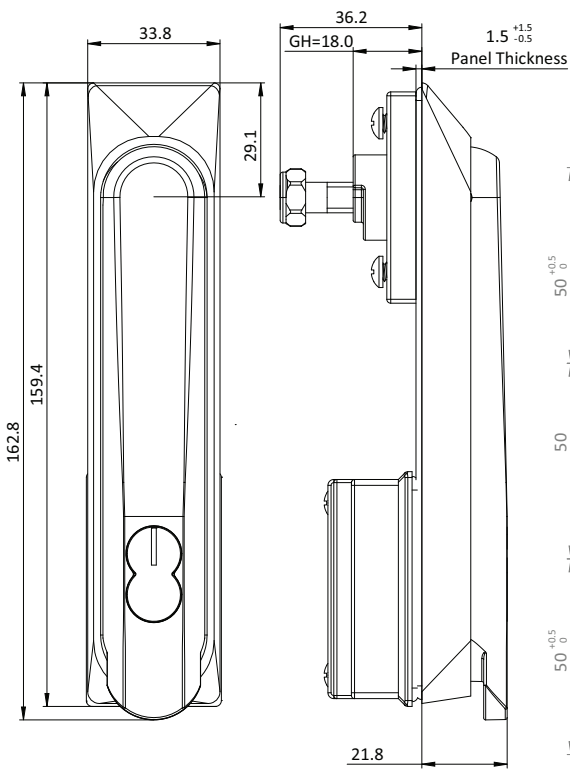
Square 7mm

Cylinder Style	Cam control with dust shutter	Cam control without dust shutter
FH333 Profile DIN cylinder	0880009	0880013
Double bit 4mm	0880010	0880014
Triangular 8mm	0880012	0880016
Square 7mm	0880011	0880015

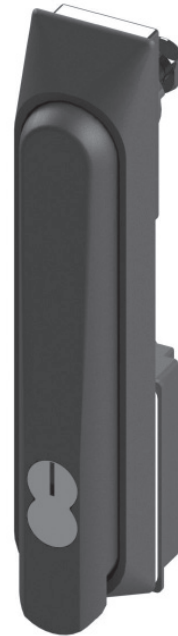
Compatible cams see pages 48-49, 238-239
 Chapter 5 and 9 for accessories
 Compatible profile cylinder page 149

BEST CYLINDER SWING HANDLE - CAM CONTROL

DESCRIPTION	For easy and secure latching and locking of doors and flaps. Wide range of inserts, cams, and accessories.
MATERIAL	Body: PA, glass fiber reinforced Handle: Die cast zinc Shaft and hardware: Mild steel
COLOR	Body: Black
SURFACE	Shaft and hardware: Zinc plated
SPECIALS	Cam control Right and Left IP65 / NEMA 4 PUR Foam Gasket Unique key version on request FH751 key code on request Padlockable on request



PANEL CUTOUT



Cylinder Style

BEST Cylinder Compatible

Cam control
with dust shutter

0880009BEST

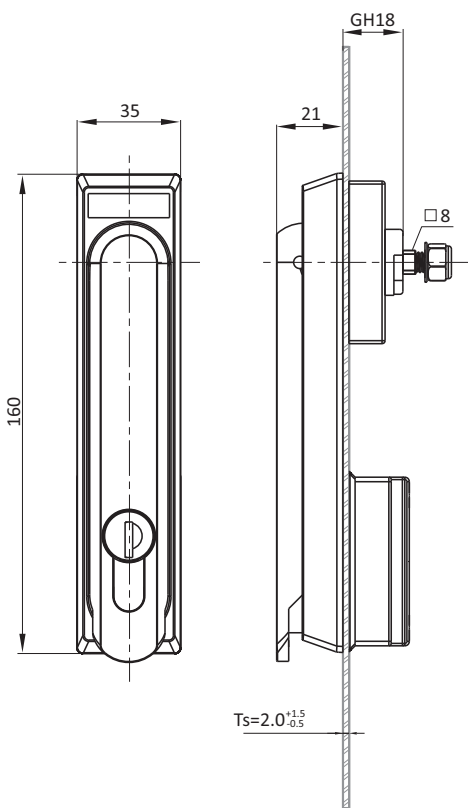
Cam control
without dust shutter

0880013BEST

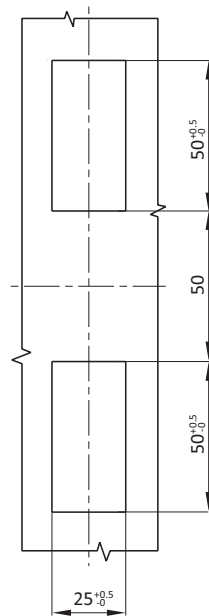
Compatible cams see pages 48-49, 238-239
 Chapter 5 and 9 for accessories
 Compatible profile cylinder page 149

PROFILE CYLINDER SWING HANDLE - CAM CONTROL

DESCRIPTION	For easy and secure latching and locking of doors and flaps. Wide range of inserts, cams, and accessories.
MATERIAL	Body: Die cast zinc Rod control: Zinc Hardware: Mild steel Padlock option: 304 SS
SURFACE	Black powder coated
SPECIALS	Cam controlled Unique key version on request FH751 key code on request Padlockable on request



Panel Cutout



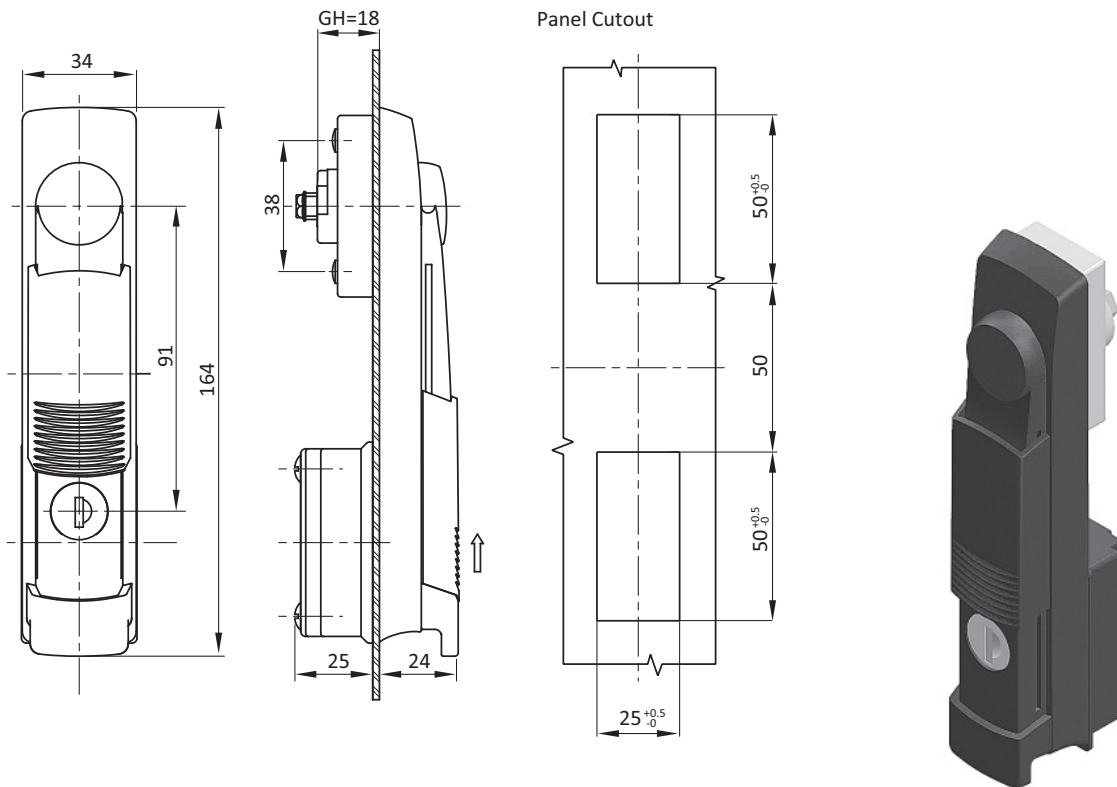
Cylinder Style

	Cam control with dust shutter	Cam control without dust shutter
FH333 Profile DIN cylinder	0813154	0813155
Double bit 4mm	0813156	0813157
Square 7mm	0813158	0813159
Triangular 8mm	0813160	0813161

Compatible profile cylinders see page 149
 Compatible cams see pages 48-49, 238-239

CYLINDER LOCK SWING HANDLE - CAM CONTROL

DESCRIPTION	For easy and secure latching and locking of doors and flaps. Wide range of inserts, cams, and accessories.
MATERIAL	Body: PA, glass fiber reinforced Handle and shaft: Brass Hardware: MS
COLOR	Black
SURFACE	Hardware: Zinc plated
SPECIALS	With dust cover Cam actuated Unique key version on request FH751 key code on request

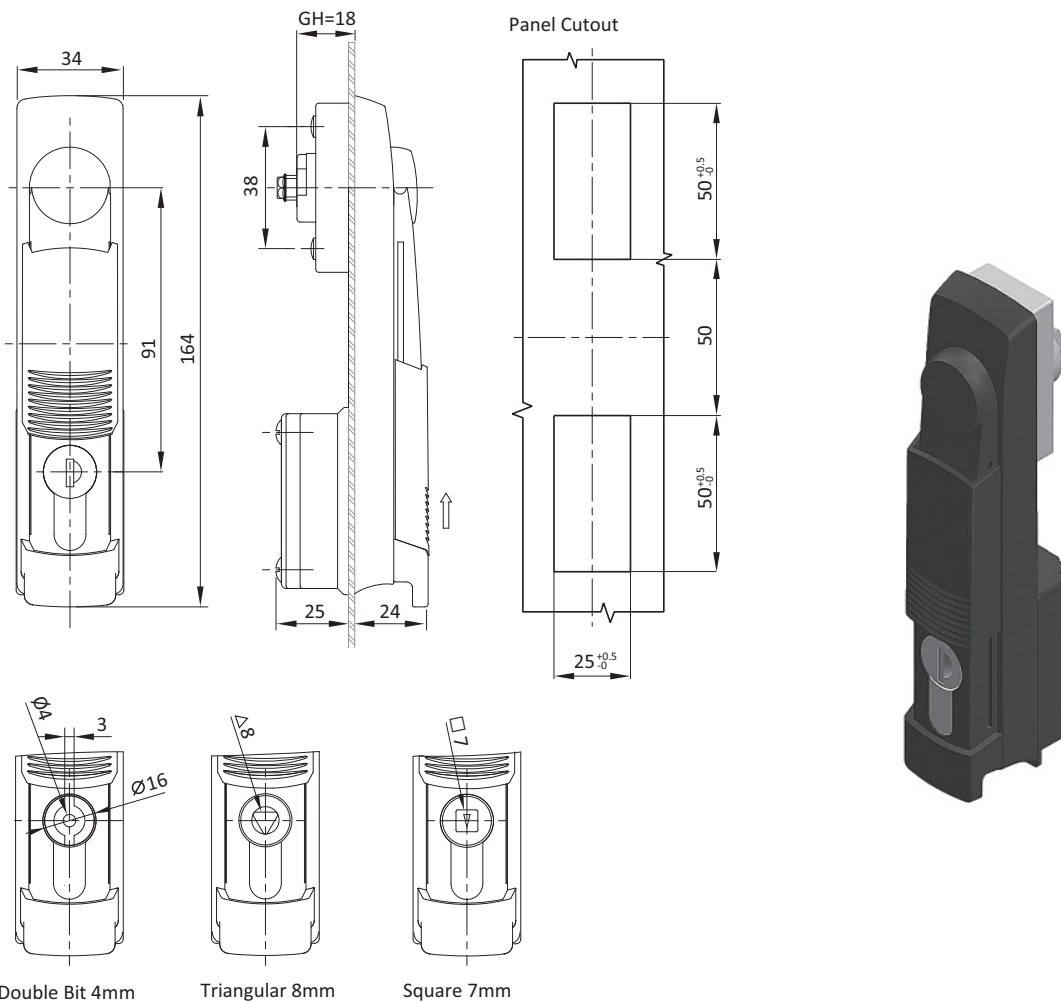


Cylinder Swing Handle	Cylinder Style	Part #
	FH333 round cylinder	0880017
	Double bit 4mm	0880018
	Square 7mm	0880019
	Triangular 8mm	0880020

Compatible cams see pages 48-49, 238-239

PROFILE CYLINDER SWING HANDLE - CAM CONTROL

DESCRIPTION	For easy and secure latching and locking of doors and flaps. Wide range of inserts, cams, and accessories.
MATERIAL	Body: PA, glass fiber reinforced Shaft: Brass Hardware: Mild steel
COLOR	Body: Black
SPECIALS	With dust cover Right and Left IP65 / NEMA 4 PUR Foam Gasket Unique key version on request FH751 key code on request

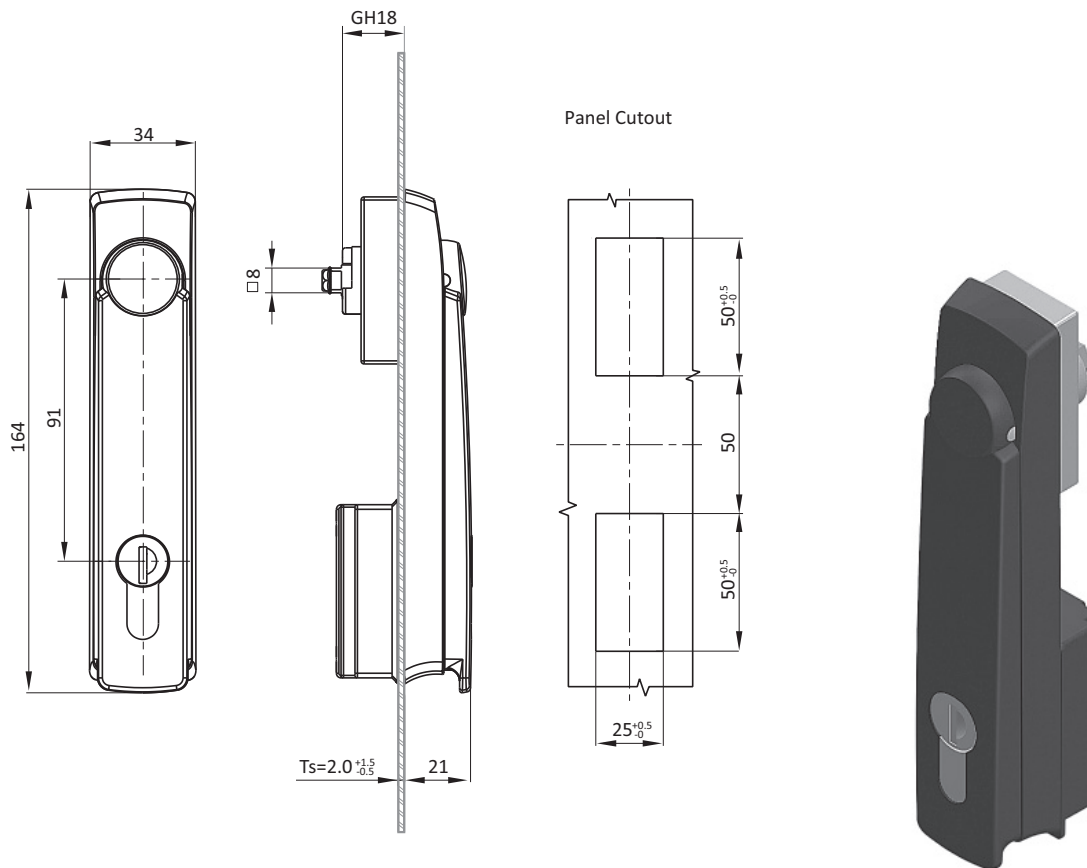


Profile Cylinder Swing Handle - Cam Control	Cylinder Style	Part #
	FH333 Profile DIN cylinder	0880021
	Square 7mm	0880023
	Triangular 8mm	0880024
	Double bit 4mm	0880022

Compatible profile cylinders see page 149
 Compatible cams see pages 48-49, 238-239

PROFILE CYLINDER LOCK SWING HANDLE - CAM CONTROL

DESCRIPTION	For easy and secure latching and locking of doors and flaps. Wide range of inserts, cams, and accessories.
MATERIAL	Body: PA, glass fiber reinforced Handle and shaft: Die-cast zinc
COLOR	Body: Black
SURFACE	Handle and shaft: Zinc plated
SPECIALS	Right and Left IP65 / NEMA 4 PUR Foam Gasket Unique key version on request FH751 key code on request Padlockable on request

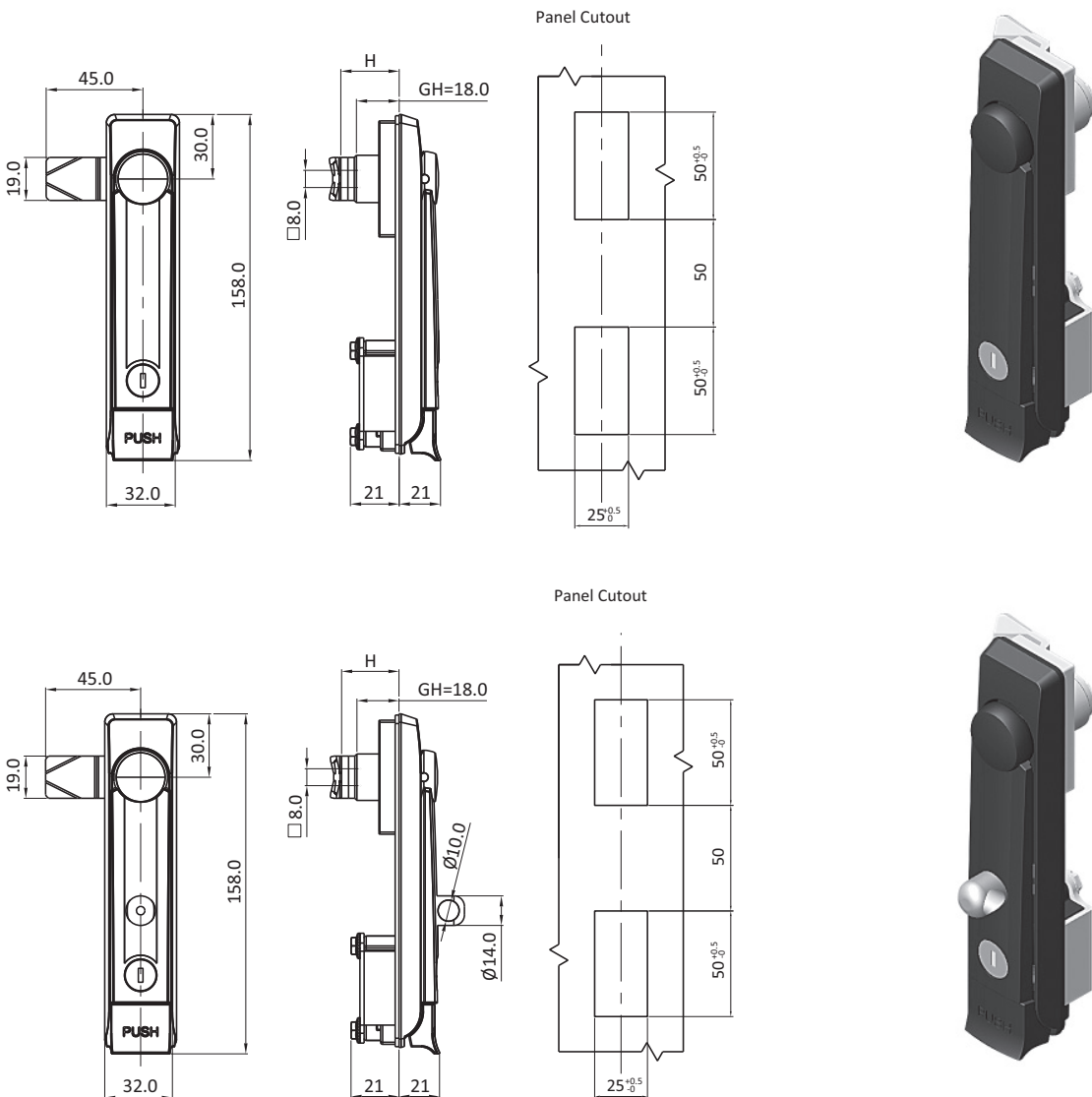


Profile Cylinder Swing Handle - Cam Control	Cylinder Style	Part #
	FH333 Profile DIN cylinder	0813180
	Double bit 4mm	0813181
	Square 7mm	0813182
	Triangular 8mm	0813183

Compatible cams see pages 48-49, 238-239

CYLINDER LOCK SWING HANDLE - CAM CONTROL

DESCRIPTION	For easy and secure latching and locking of doors and flaps. Wide range of inserts, cams, and accessories.
MATERIAL	Body, handle, and button: Die-cast zinc Cam and rod control: Mild steel
SURFACE	Body, handle, and button: Black powder coated Cam and rod control: Zinc plated
SPECIALS	Right and Left Unique key version on request Unique key version on request FH751 key code on request



Cylinder Lock Swing Handle - Cam Control

Padlock Compatible

Part #

Padlockable

0880037

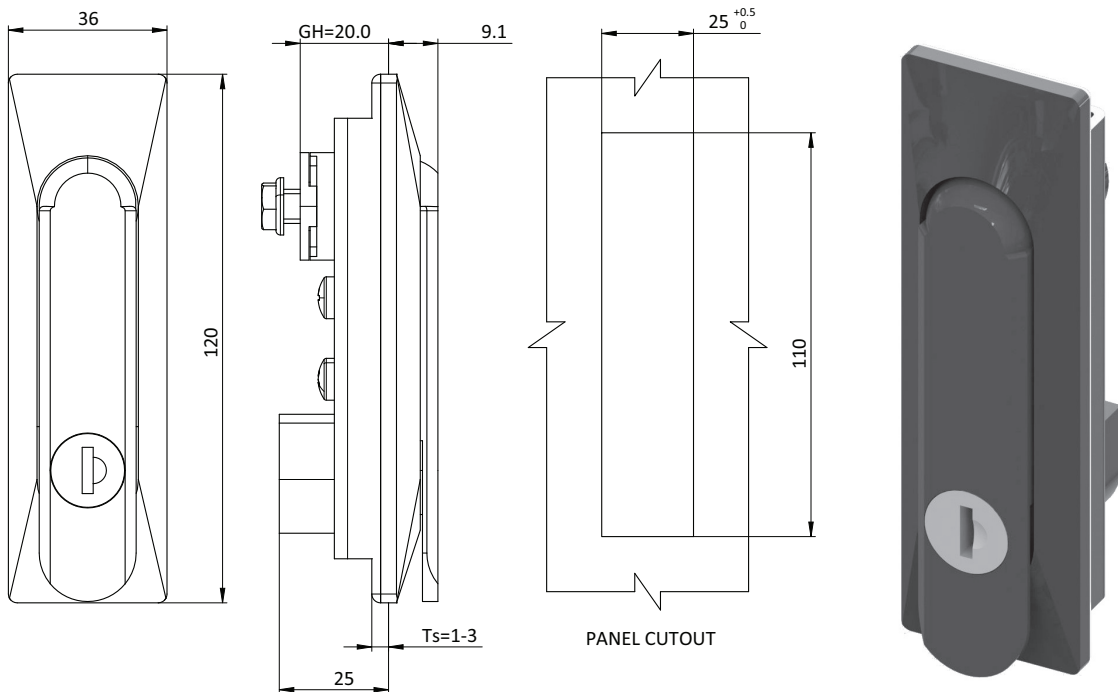
Without padlock

0880039

Compatible cams see pages 48-49, 238-239

CYLINDER LOCK SWING HANDLE - CAM CONTROL

DESCRIPTION	For easy and secure latching and locking of doors and flaps. Wide range of cams and accessories.
MATERIAL	Body: Die-cast zinc / PA, glass fiber reinforced Handle and shaft: Die-cast zinc Hardware: Mild steel
SURFACE	Black powder coated Hardware: Zinc plated
SPECIALS	Right and left Large Size Unique key version on request FH751 key code on request Padlock version on request

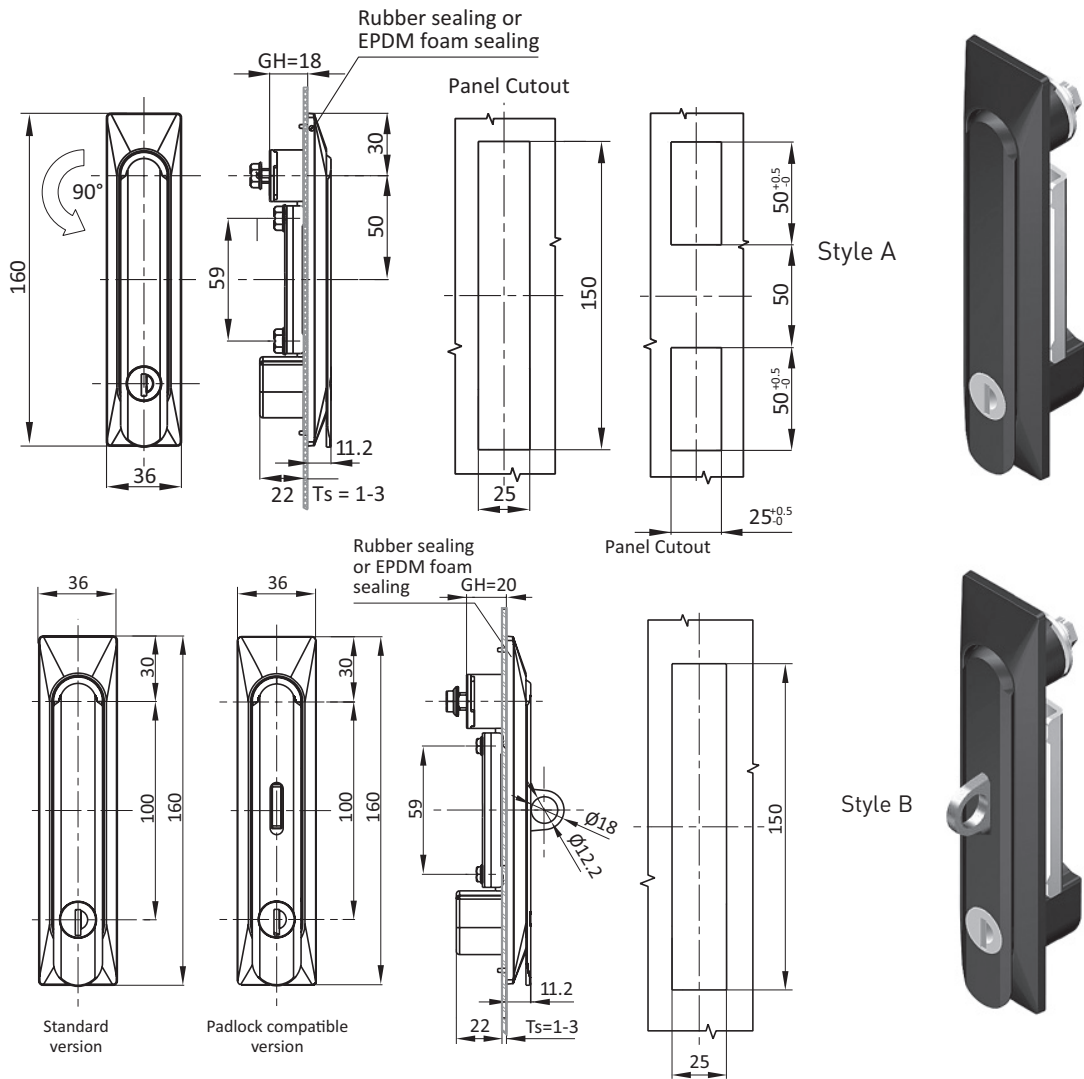


Profile Cylinder Swing Handle - Cam Control	Insert	GH (mm)	Part #
Die cast handle / PA housing	With FH333 key insert	20	0880041
Die cast handle / PA housing	No Insert	20	0880042
PA Handle / PA housing	With FH333 key insert	20	0813178

Compatible cams see pages 48-49, 238-239

CYLINDER LOCK SWING HANDLE - CAM CONTROL

DESCRIPTION	For easy and secure latching and locking of doors and flaps. Wide range of cams and accessories.
MATERIAL	Body: Die-cast zinc / PA, glass fiber reinforced Handle and shaft: Die-cast zinc Hardware: Mild steel
SURFACE	Black powder coated Hardware: Zinc plated
SPECIALS	Right and left Large Size Unique key version on request FH751 key code on request Padlock version on request

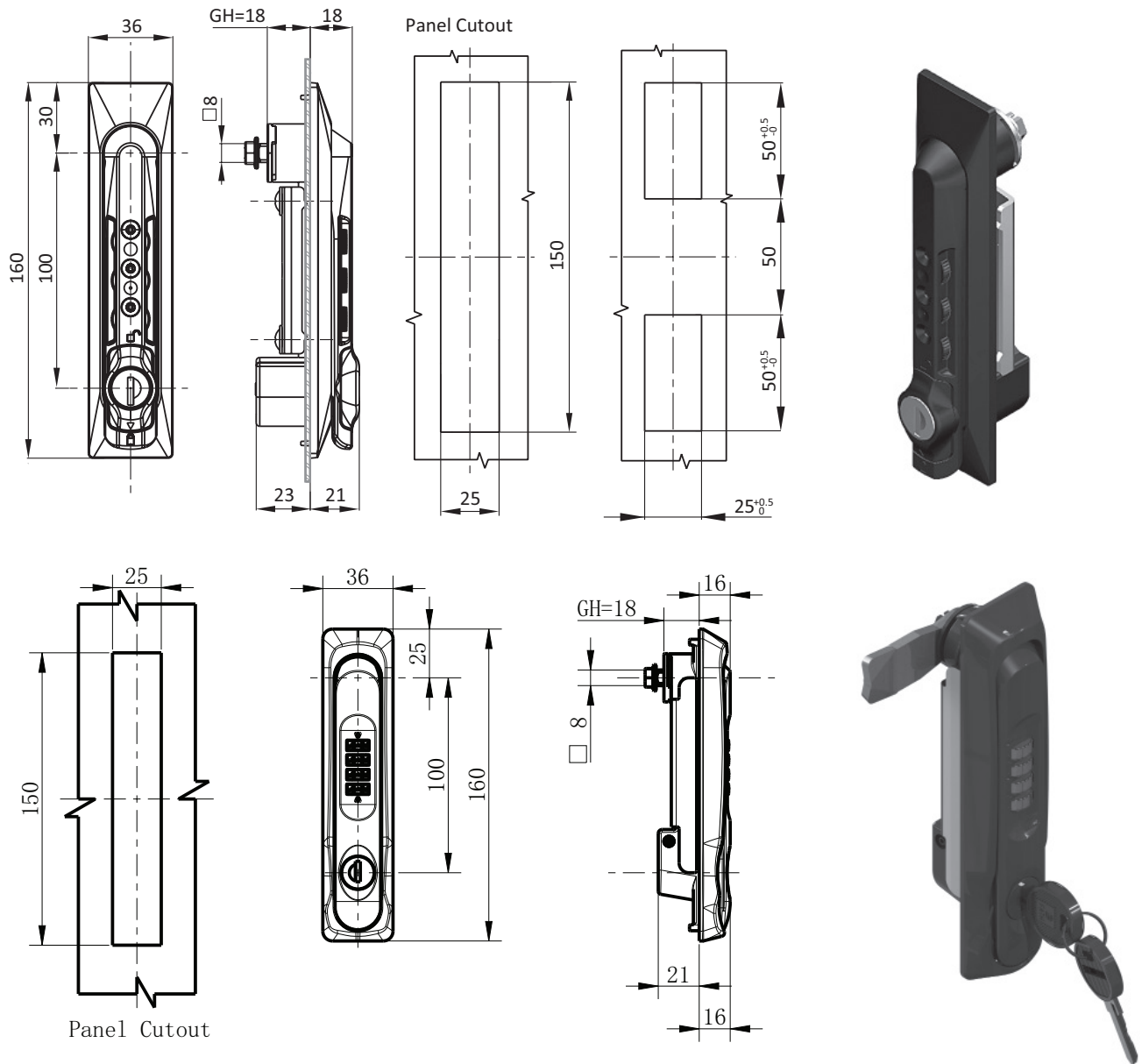


Profile Cylinder Swing Handle - Cam Control	Style	Insert	Padlock Hasp	GH (mm)	Part #	316 Stainless Steel
Die cast handle / PA housing	A	With FH333 key insert	N	18	0880043	
Die cast handle / PA housing	A	With FH751 key insert	N	18	0880043FH751	
Die cast handle / PA housing	A	With FH333 key insert	Y	18	0880043S03	0880043ES03
Die cast handle / PA housing	B	With FH333 key insert	N	20	0880044	
Die cast handle / PA housing	B	With FH333 key insert	Y	20	0880044S02	
Die cast handle and housing	B	With FH333 key insert	N	20	0880045	
Die cast handle and housing	B	With FH333 key insert	Y	20	0880045S05	
Die cast handle and housing	B	8mm Square drive	N	18	0880045S01	
Die cast handle and housing	B	With no key insert	Y	20	0880061	
Die cast handle and housing	B	5/16 Female, 3mm Pin	Y	20	0880062S01	

Compatible cams see pages 48-49, 238-239

COMBINATION LOCK SWING HANDLE - CAM STYLE

DESCRIPTION	For easy and secure latching and locking of doors and flaps. Wide range of cams and accessories.
MATERIAL	Body: PA, glass fiber reinforced Handle: PA, glass fiber reinforced Hardware: Mild steel
COLOR	Black
SPECIALS	Right and left Large Size Unique key version on request FH751 key code on request



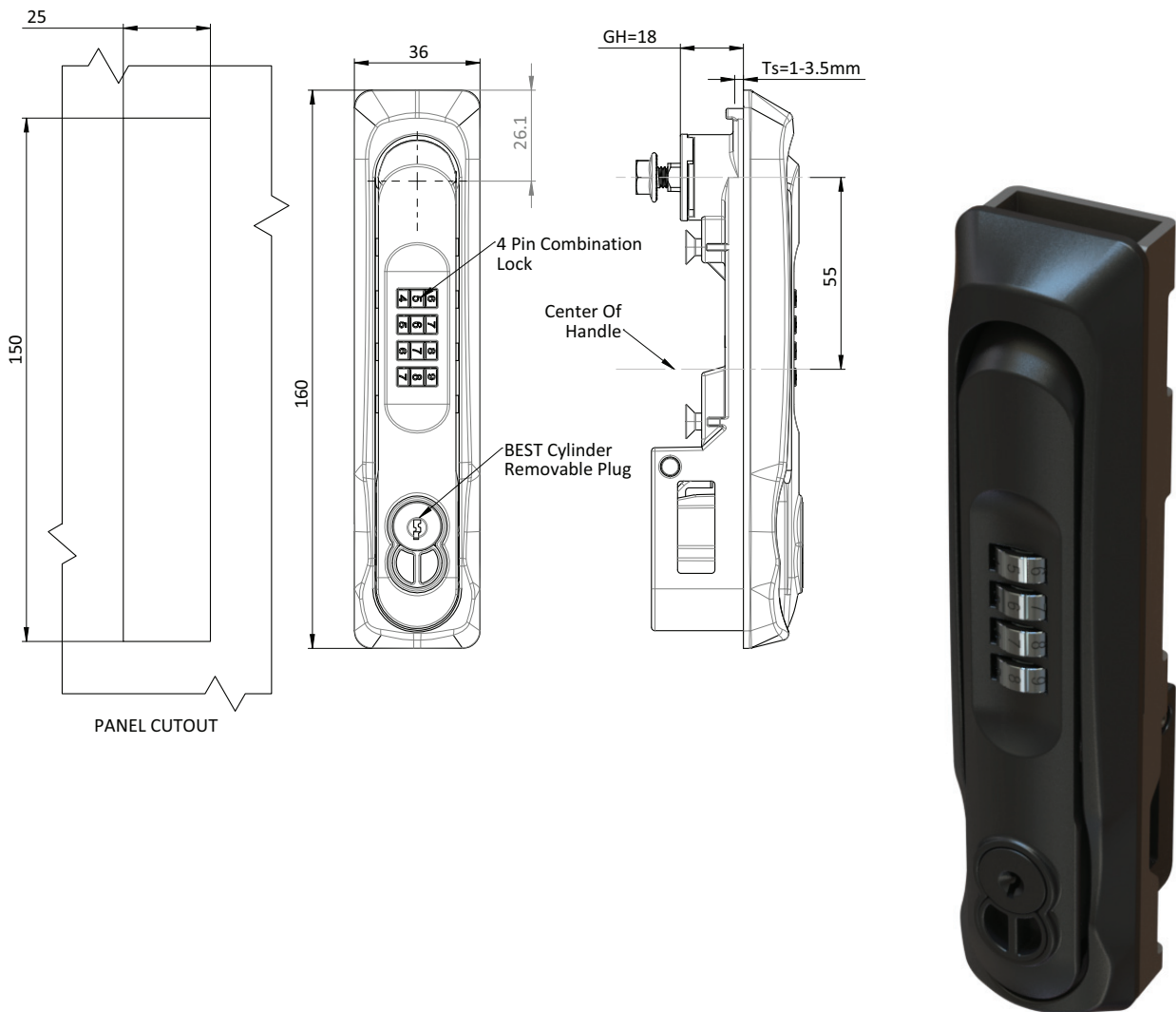
Combination Lock Swing Handle - Cam Control	Keyed	Number of Pins	Part #
	FH333	Three Pin	0880046
	FH500	Three Pin	0880046S01
	FH333	Four Pin	0850180
	Custom Key Code Available	Four Pin	0850180-XXXX

Compatible cams see pages 48-49, 238-239

Compatible cams see pages 48-49, 238-239

COMBINATION LOCK SWING HANDLE WITH BEST CYLINDER

DESCRIPTION	For easy and secure latching and locking of doors and flaps. Wide range of cams and accessories.
MATERIAL	Body: PA, glass fiber reinforced Handle: Die cast zinc, Black powder coated Hardware: Mild steel
COLOR	Black
SPECIALS	Right and left Large Size BEST cylinder provided by customer



Cylinder Style

BEST Cylinder Compatible

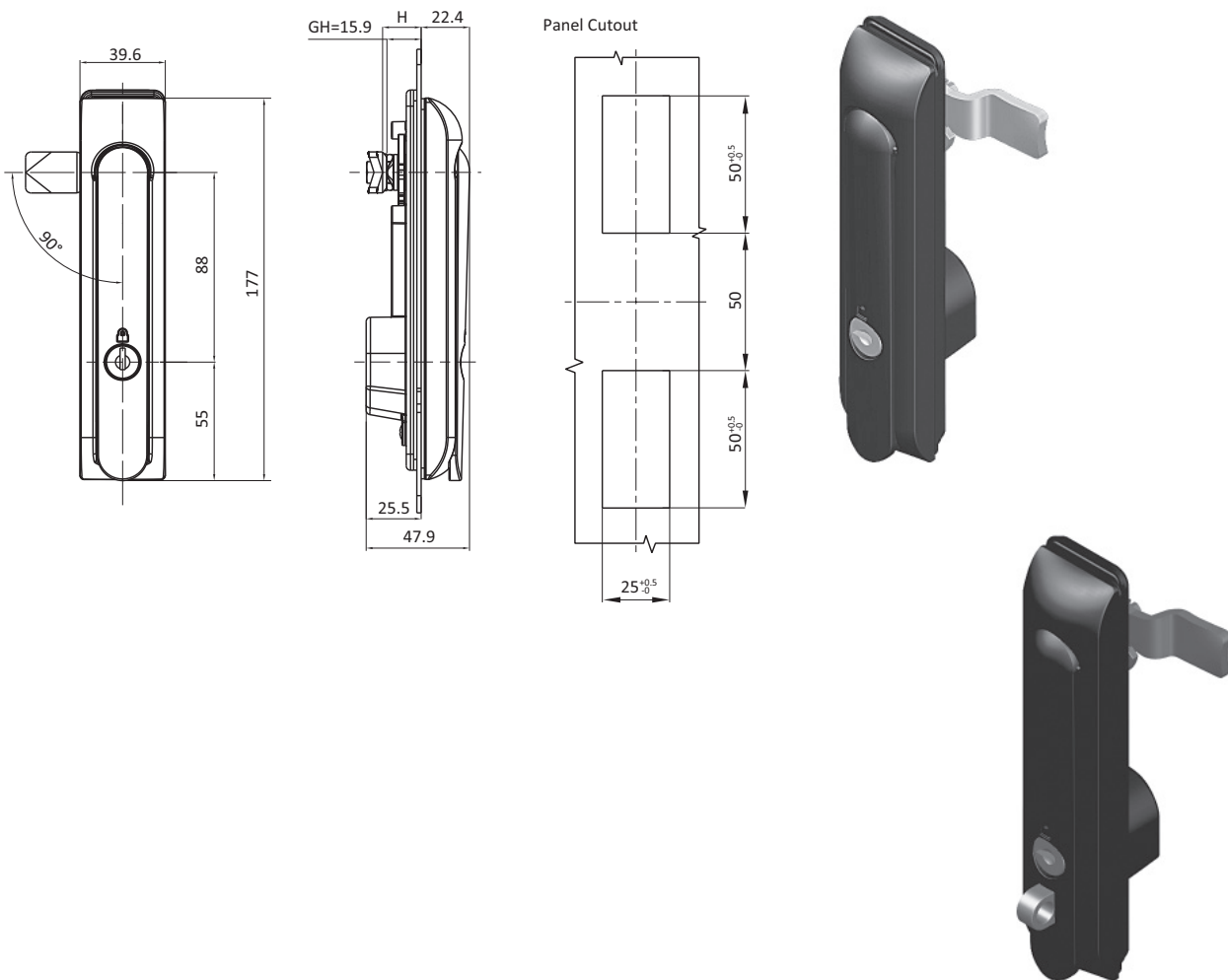
Cam control
 without dust shutter

0850180BEST

Compatible cams see pages 48-49, 238-239
 Chapter 5 and 9 for accessories
 Compatible profile cylinder page 149

CYLINDER LOCK SWING HANDLE - CAM CONTROL

DESCRIPTION	For easy and secure latching and locking of doors and flaps. Wide range of inserts, cams, and accessories.
MATERIAL	Body: Die-cast zinc Shaft and rod control: Die-cast zinc Hardware: Mild steel
SURFACE	Body: Black powder coated / chrome plated Hardware, shaft and rod control: Zinc plated
SPECIALS	Right and Left IP65 / NEMA 4 Keyed different on request

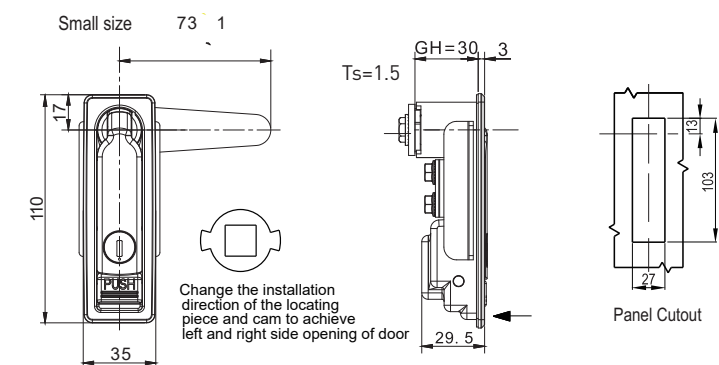
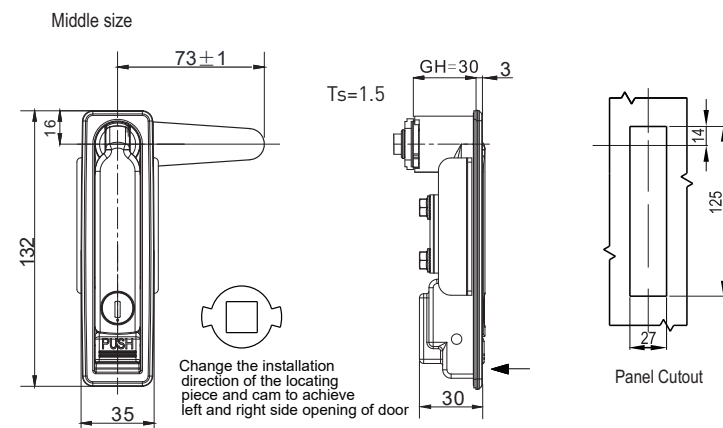
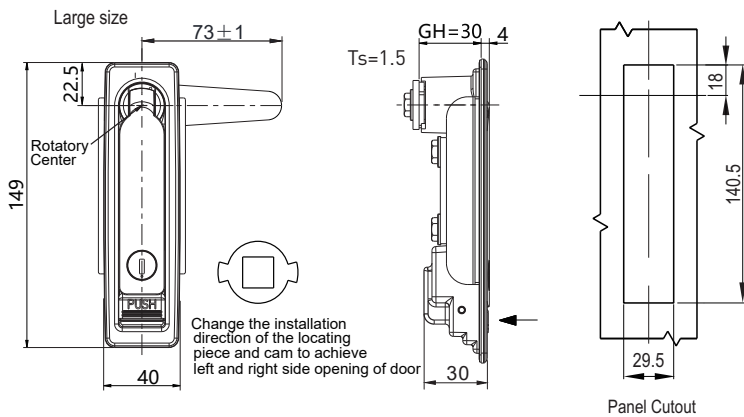


Cylinder Lock Swing Handle- Cam Control	Padlock Compatible	Black Powder Coated	Chrome Plated
FH751 Cylinder	Without padlock	0813206	0813207
FH751 Cylinder	With Padlock	0813208	0813209

Compatible cams see pages 48-49, 238-239

CYLINDER LOCK SWING HANDLE - CAM CONTROL

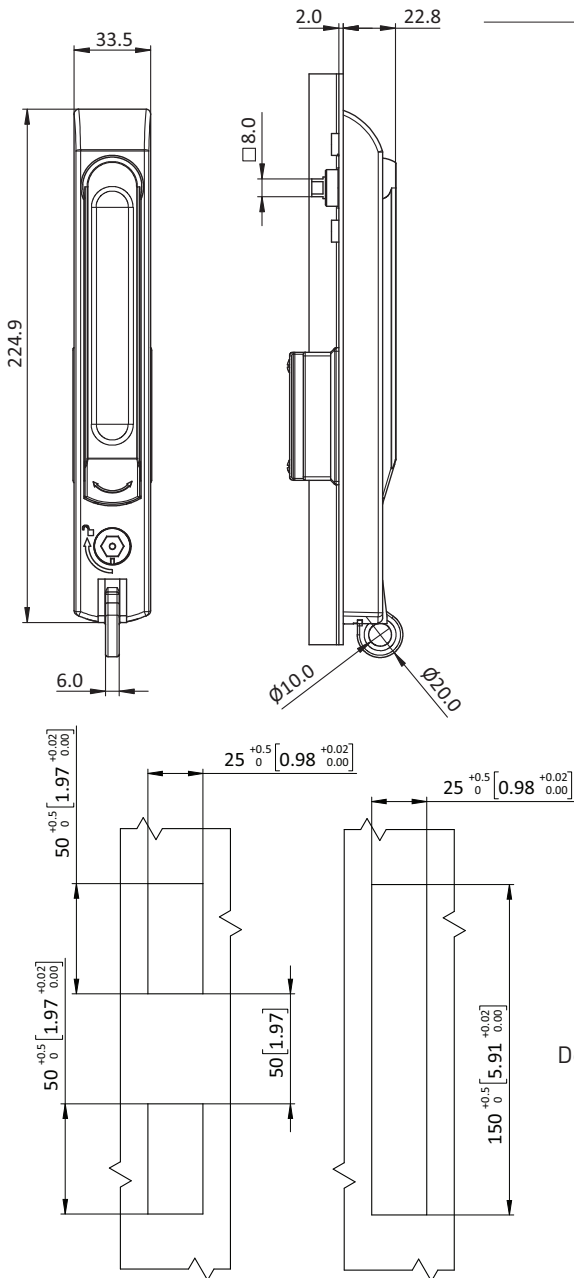
DESCRIPTION	For easy and secure latching and locking of doors and flaps. Wide range of inserts, cams, and accessories.
MATERIAL	Body: Die-cast zinc Cam: Mild steel
SURFACE	Body: Black powder coated / chrome plated Cam: Zinc plated
SPECIALS	Right and Left Push button lock Keyed FH333



Cylinder Lock Swing Handle - Cam Control	Size	Black Powder Coated	Chrome Plated
	Large	0813214	0813215
	Medium	0813216	0813217
	Small	0813491	0813218

VANDAL RESISTANT SWING HANDLE

DESCRIPTION	For easy and secure latching and locking of doors and flaps. Wide range of inserts, cams, and accessories.
MATERIAL	Base: PA, glass fiber reinforced Handle: Die cast zinc Remaining components: 316 SS
COLOR	Black
SPECIALS	Rod Control and Cam Control Right and Left IP65 / NEMA 4 Vandal Resistant Design Lock insert options on request



Cam Control



Rod Control

Door Panel Cutouts

Vandal Resistant Swing Handle

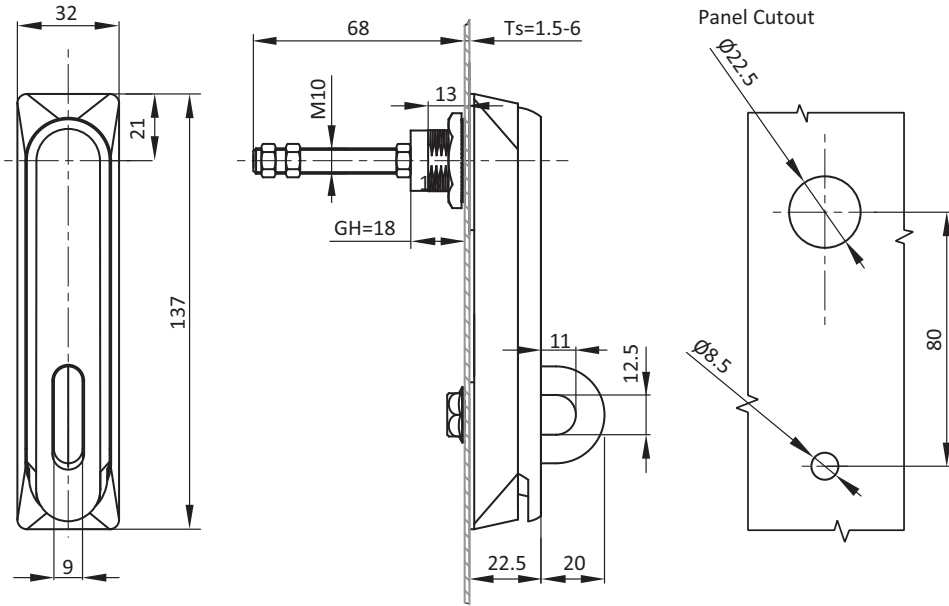
Cam Control	TELCO 216 C 5/16 Hex with 0.125 Pin Use Key 0850196 0813478	TELCO 216 C 7/16 Hex Use Key 0850195 0813479	8mm Triangular Insert Use Key 0813432 0850184
Rod Control	0813179	0813475	0850185

Compatible cams see pages 48-49, 238-239
 Compatible Rod Control See Pages 138-139
 Chapters 5 And 9 For Accessories



PADLOCKABLE SWING HANDLE

DESCRIPTION	For easy and secure latching and locking of doors and flaps. Wide range of inserts, cams, and accessories.
MATERIAL	316 SS / 304 SS
SPECIALS	Right and left IP65 / NEMA 4



Padlockable Swing Handle

Stainless Steel 304

Stainless Steel 316

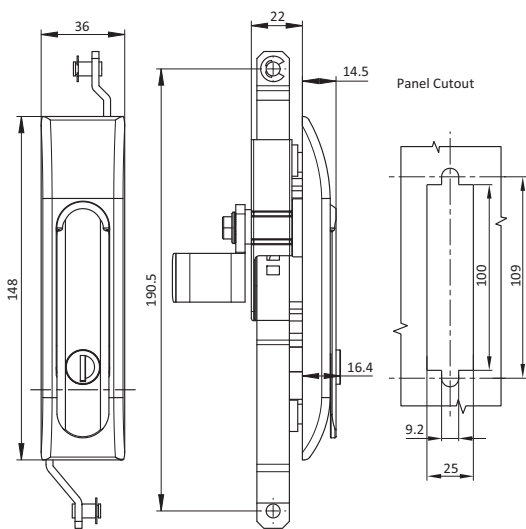
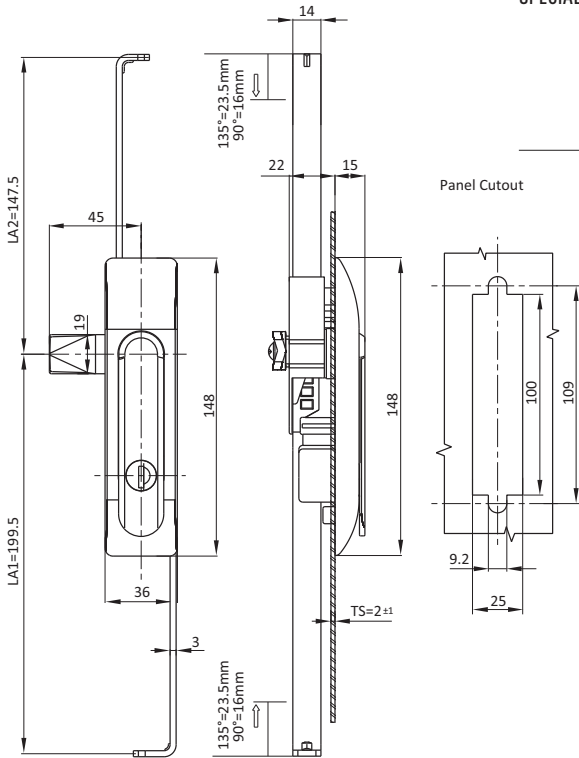
0880055

0880056

Compatible cams see pages 48-49, 238-239

CYLINDER LOCK SWING HANDLE - ROD CONTROL

DESCRIPTION	For easy and secure latching and locking of doors and flaps. Wide range of inserts, cams, and accessories.
MATERIAL	Body: PA, glass fiber reinforced Handle: Die-cast zinc Hardware: Mild steel
SURFACE	Body and handle: Black textured powder coated / silver grey powder coated Hardware: Zinc plated
SPECIALS	Right and Left IP65 / NEMA 4 Unique key version on request FH751 key code on request Padlockable on request Keyed FH333



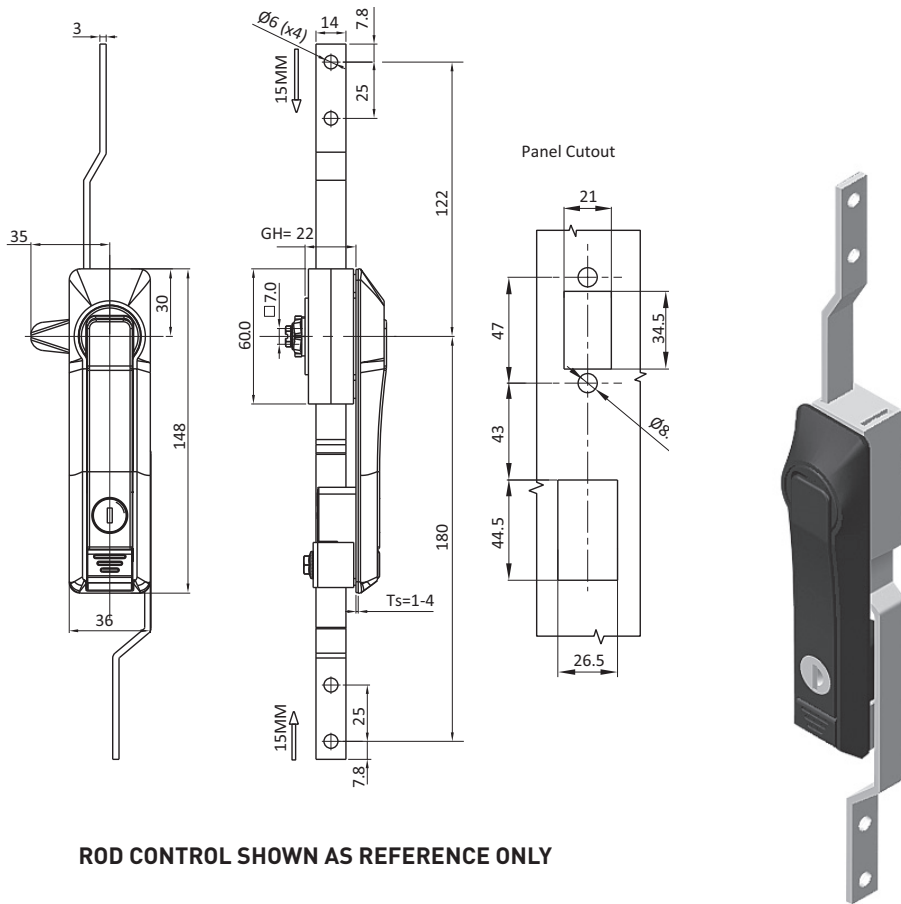
ROD CONTROL SHOWN AS REFERENCE ONLY

Rod control	Black Textured Powder Coated 0811033	Silver Grey Powder Coated 0820141501
-------------	--	--

Compatible Rod Control see pages 138-139
 Chapter 5 and 9 for accessories

CYLINDER LOCK SWING HANDLE - ROD CONTROL

DESCRIPTION	For easy and secure latching and locking of doors and flaps. Wide range of inserts, cams, and accessories.
MATERIAL	Body: Die cast zinc Handle: Die cast zinc Hardware: Mild steel
SURFACE	Black powder coated / zinc plated
SPECIALS	Right and Left IP65 / NEMA 4 Keyed FH333 PUR Foam Gasket



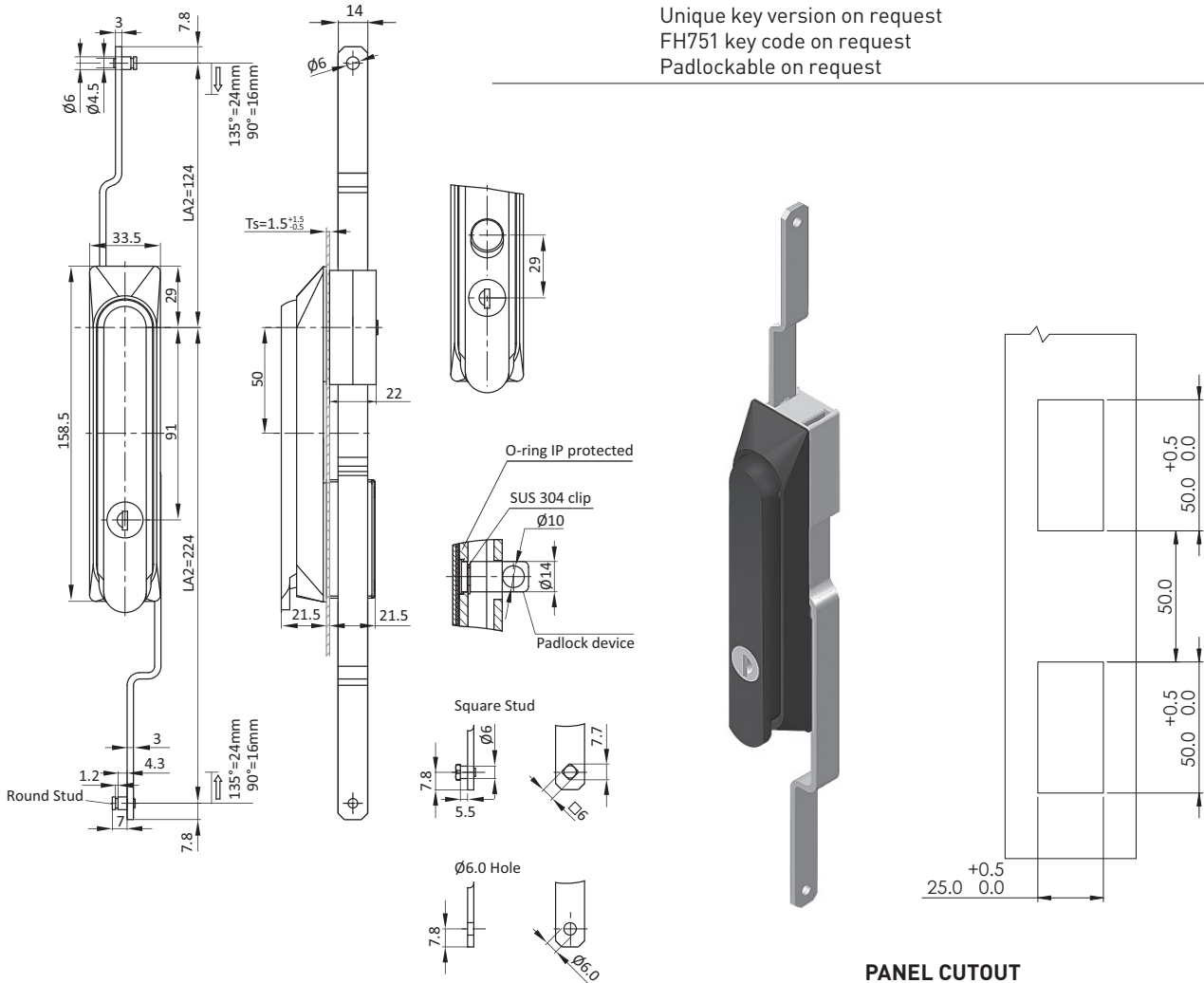
ROD CONTROL SHOWN AS REFERENCE ONLY

	Rod Control	Satin Chrome Plated	Black Powder Coated
With cylinder lock FH333, push to open	Rod control 2 point rod control	0880033 0820101	0880034 0820102

Compatible Rod Control see pages 138-139
 Chapter 5 and 9 for accessories

CYLINDER LOCK SWING HANDLE - ROD CONTROL

DESCRIPTION	For easy and secure latching and locking of doors and flaps. Wide range of inserts, cams, and accessories.
MATERIAL	Body: PA, glass fiber reinforced Shaft and hardware: Mild steel
COLOR	Body: Black
SURFACE	Shaft and hardware: Zinc plated
SPECIALS	Right and Left IP65 / NEMA 4 PUR Foam Gasket Rod Control Unique key version on request FH751 key code on request Padlockable on request



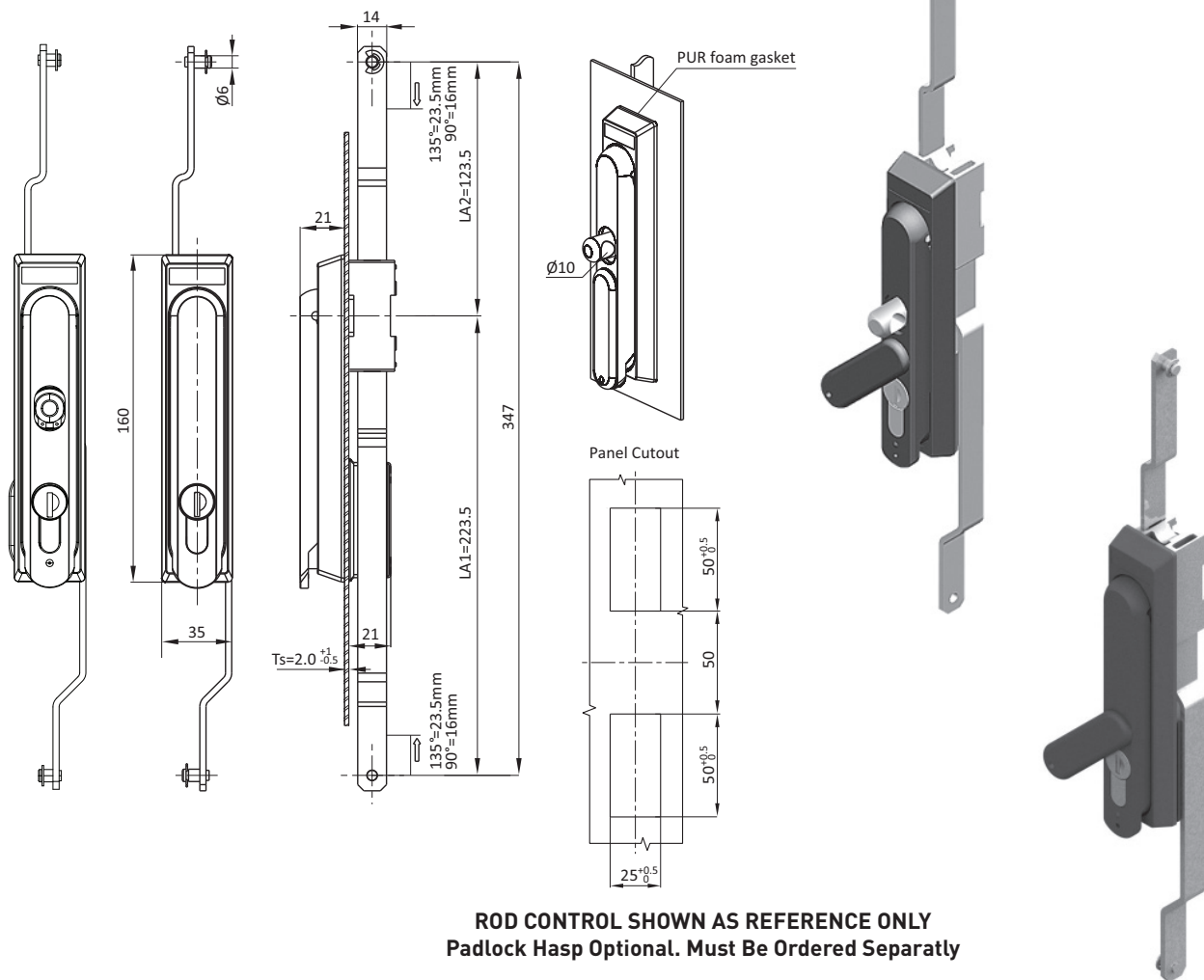
ROD CONTROL SHOWN AS REFERENCE ONLY

	Cylinder Style	with dust shutter	without dust shutter
Rod Control	FH333 round cylinder	0820011	0820015
	Double bit 4mm	0820012	0820016
	Square 7mm	0820013	0820017
	Triangular 8mm	0820014	0820018

Compatible rod controls see pages 138-139
 Chapter 5 and 9 for accessories

CYLINDER LOCK SWING HANDLE - ROD CONTROL

DESCRIPTION	For easy and secure latching and locking of doors and flaps. Wide range of inserts, cams, and accessories.
MATERIAL	Die-cast zinc
SURFACE	Black powder coated
SPECIALS	Rod Control Right and Left IP65 / NEMA 4 Unique key version on request FH751 key code on request Padlock hasp Optional



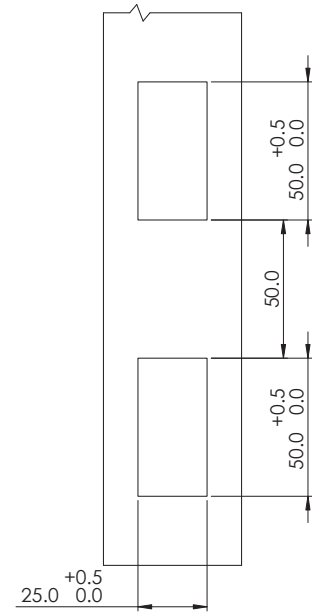
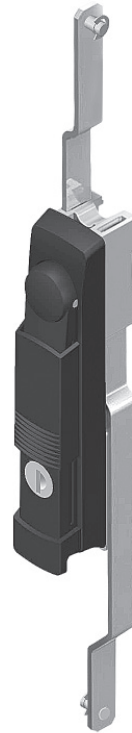
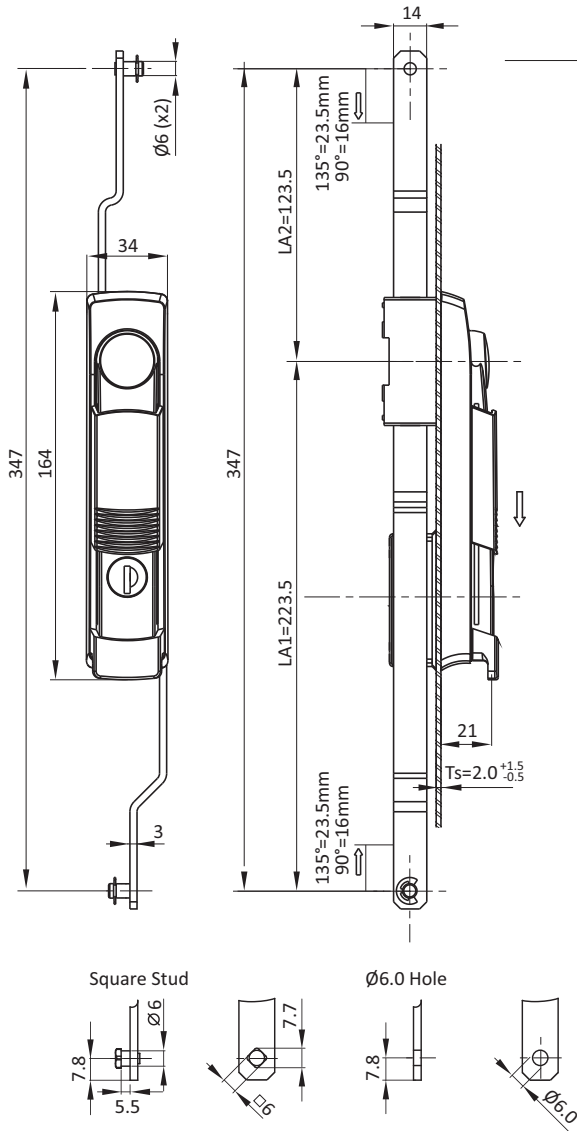
**ROD CONTROL SHOWN AS REFERENCE ONLY
 Padlock Hasp Optional. Must Be Ordered Separatly**

	Cylinder Style	with dust shutter	without dust shutter
Rod Control	FH333 Profile DIN cylinder	0813162	0813163
	Double bit 4mm	0813166	0813167
	Square 7mm	0813170	0813171
	Triangular 8mm	0813174	0813175

Compatible profile cylinders see page 149
 Compatible rod controls see pages 138-139

CYLINDER LOCK SWING HANDLE - ROD CONTROL

DESCRIPTION	For easy and secure latching and locking of doors and flaps. Wide range of inserts, cams, and accessories.
MATERIAL	Body: PA, glass fiber reinforced Rod control and shaft: Die-cast zinc Hardware: Mild steel
COLOR	Body: Black
SURFACE	Shaft: Zinc plated
SPECIALS	Right and Left IP65 / NEMA 4 PUR Foam Gasket Unique key version on request FH751 key code on request



PANEL CUTOUT

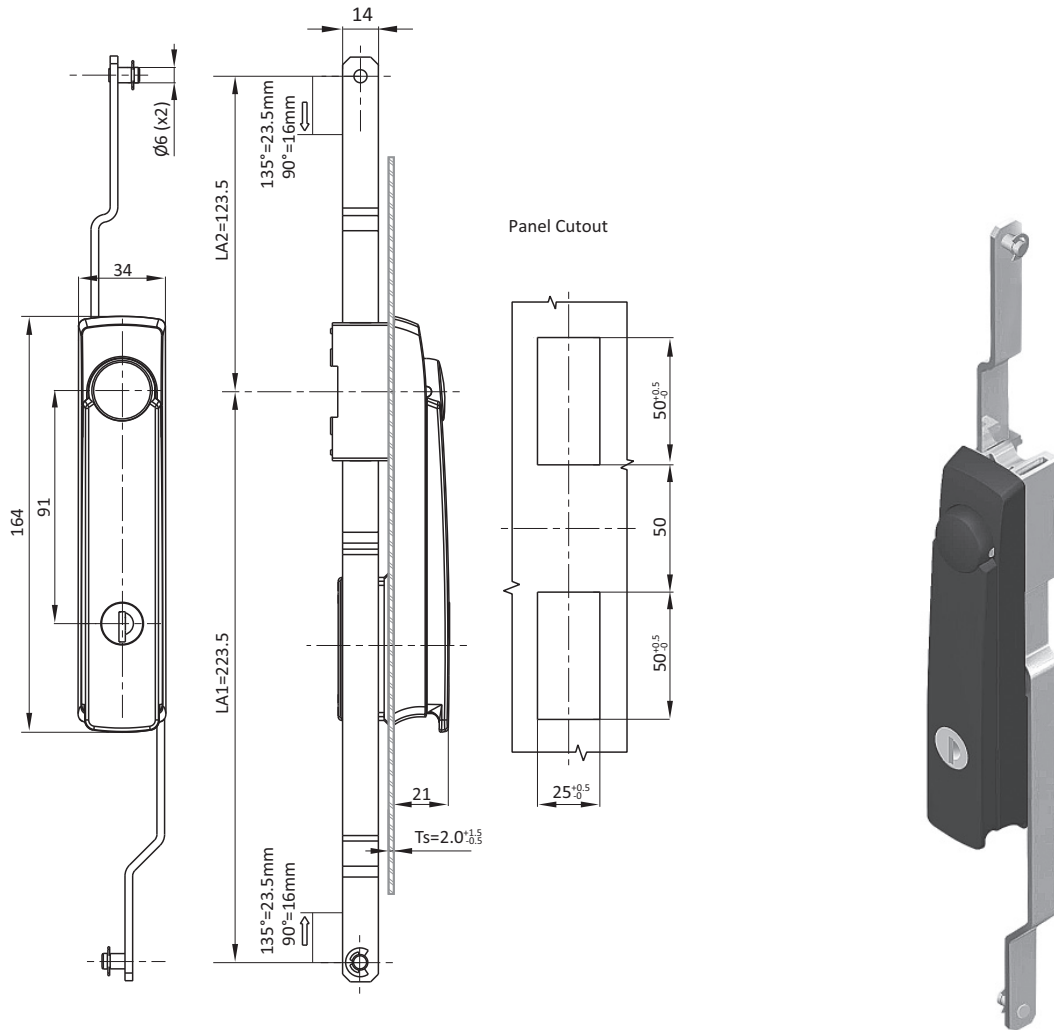
ROD CONTROL SHOWN AS REFERENCE ONLY

	Cylinder Style	With Dust shutter
Rod Control	FH333 round cylinder	0820055
	Double bit 4mm	0820056
	Square 7mm	0820057
	Triangular 8mm	0820058

Compatible Rod Control see pages 138-139

CYLINDER LOCK SWING HANDLE - ROD CONTROL

DESCRIPTION	For easy and secure latching and locking of doors and flaps. Wide range of inserts, cams, and accessories.
MATERIAL	Body: PA, glass fiber reinforced Handle, shaft and rod control: Die-cast zinc Hardware: Mild steel
COLOR	Body: Black
SPECIALS	Right and Left IP65 / NEMA 4 PUR Foam Gasket Unique key version on request FH751 key code on request Padlockable on request



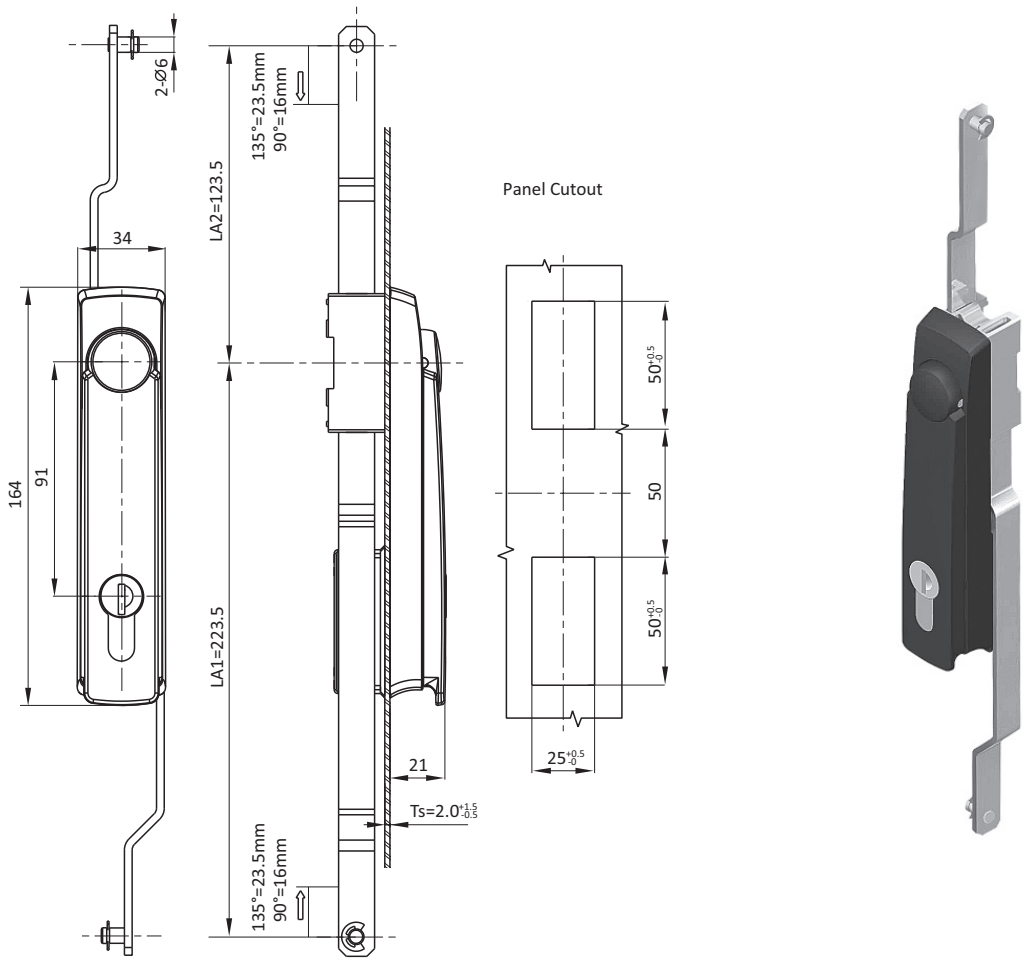
ROD CONTROL SHOWN AS REFERENCE ONLY

	Material	Part #
Cylinder lock keyed FH333	Dish/Handle PA6 30 Black	0820004
	Dish PA6 30 Black, Handle Die Cast Zinc Black	0820005

Compatible Rod Control see pages 138-139
 Chapter 5 and 9 for accessories

PROFILE CYLINDER LOCK SWING HANDLE - ROD CONTROL

DESCRIPTION	For easy and secure latching and locking of doors and flaps. Wide range of inserts, cams, and accessories.
MATERIAL	Body: PA, glass fiber reinforced Handle, shaft and rod control: Die-cast zinc Hardware: Mild steel
COLOR	Body: Black
SURFACE	Handle, shaft and rod control: Die-cast zinc Zinc plated
SPECIALS	Right and Left IP65 / NEMA 4 PUR Foam Gasket Unique key version on request FH751 key code on request Padlockable on request



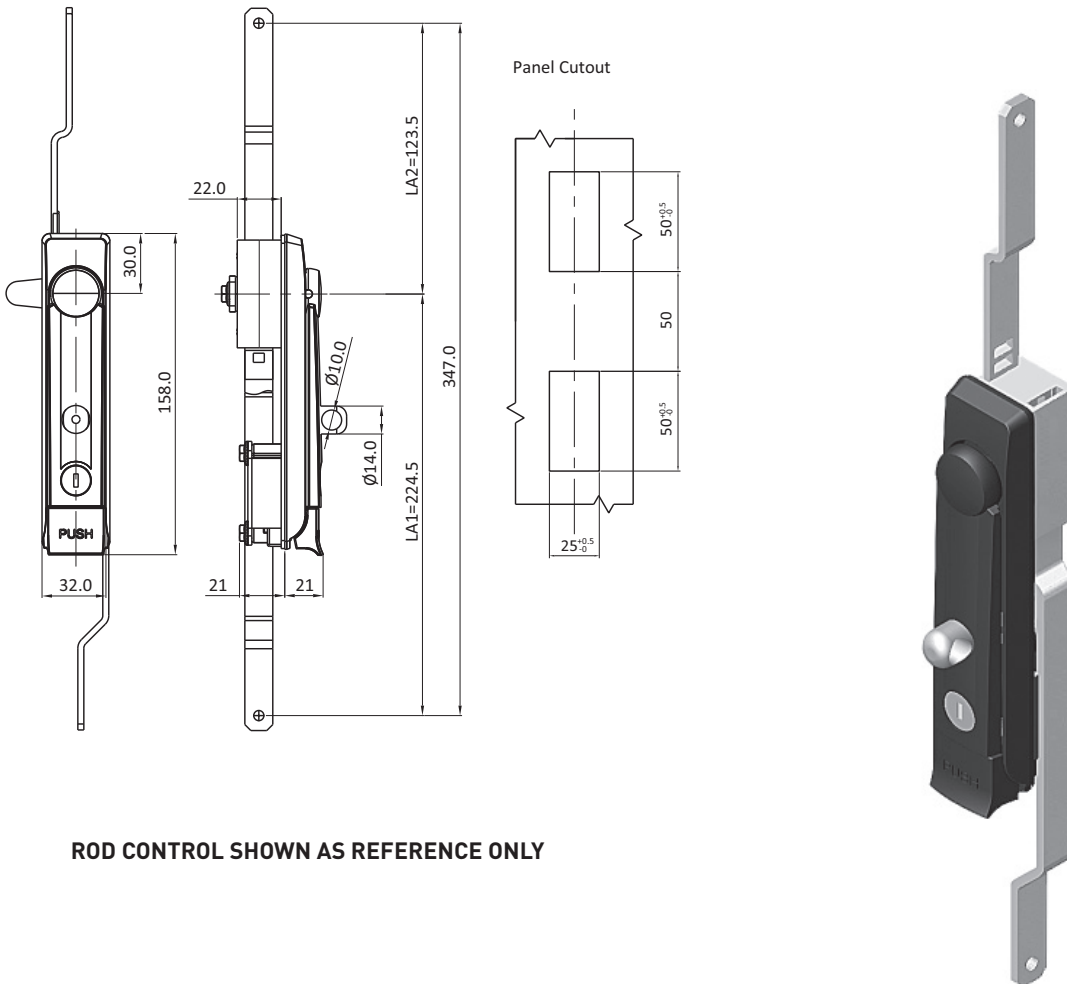
ROD CONTROL SHOWN AS REFERENCE ONLY

		Part #
Rod Control	FH333 Profile DIN cylinder	0813184
	Double bit 4mm	0813185
	Square 7mm	0813186
	Triangular 8mm	0813187

Compatible Rod Control see pages 138-139
 Chapter 5 and 9 for accessories

CYLINDER LOCK SWING HANDLE - ROD CONTROL

DESCRIPTION	For easy and secure latching and locking of doors and flaps. Wide range of inserts, cams, and accessories.
MATERIAL	Body, handle, and button: Die-cast zinc Cam and rod control: Mild steel
SURFACE	Body, handle, and button: Black powder coated Cam and rod control: Zinc plated
SPECIALS	Right and Left IP65 / NEMA 4 Unique key version on request Unique key version on request FH751 key code on request Padlockable on request



ROD CONTROL SHOWN AS REFERENCE ONLY

Padlock Compatible

Part #

Keyed FH333

Padlockable

0820114

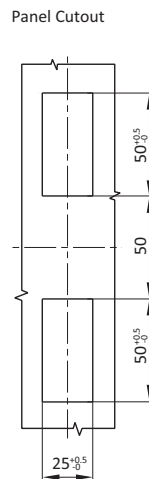
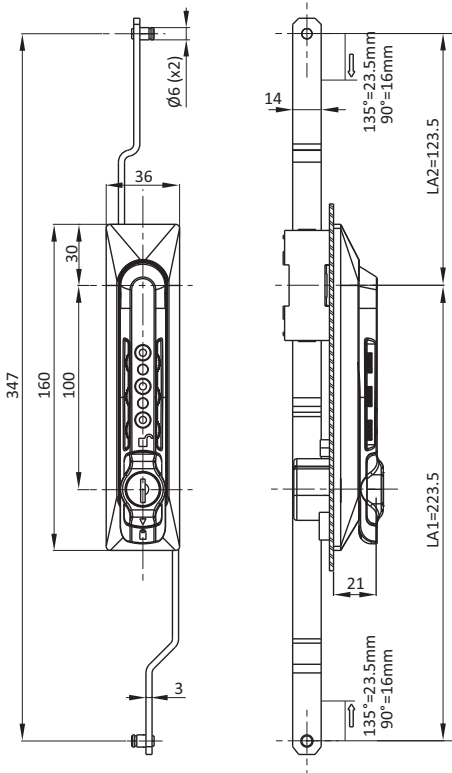
Without padlock

0820115

Compatible Rod Control see pages 138-139
 Chapter 5 and 9 for accessories

COMBINATION LOCK SWING HANDLE

DESCRIPTION	For easy and secure latching and locking of doors and flaps. Wide range of inserts, cams, and accessories.
MATERIAL	Body: PA, glass fiber reinforced Shaft, and rod control: Die-cast zinc Hardware: Mild steel
SURFACE	Black powder coated Hardware: Zinc plated
SPECIALS	Right and Left IP65 / NEMA 4 PUR foam gasket Unique key version on request FH751 key code on request



ROD CONTROL SHOWN AS REFERENCE ONLY

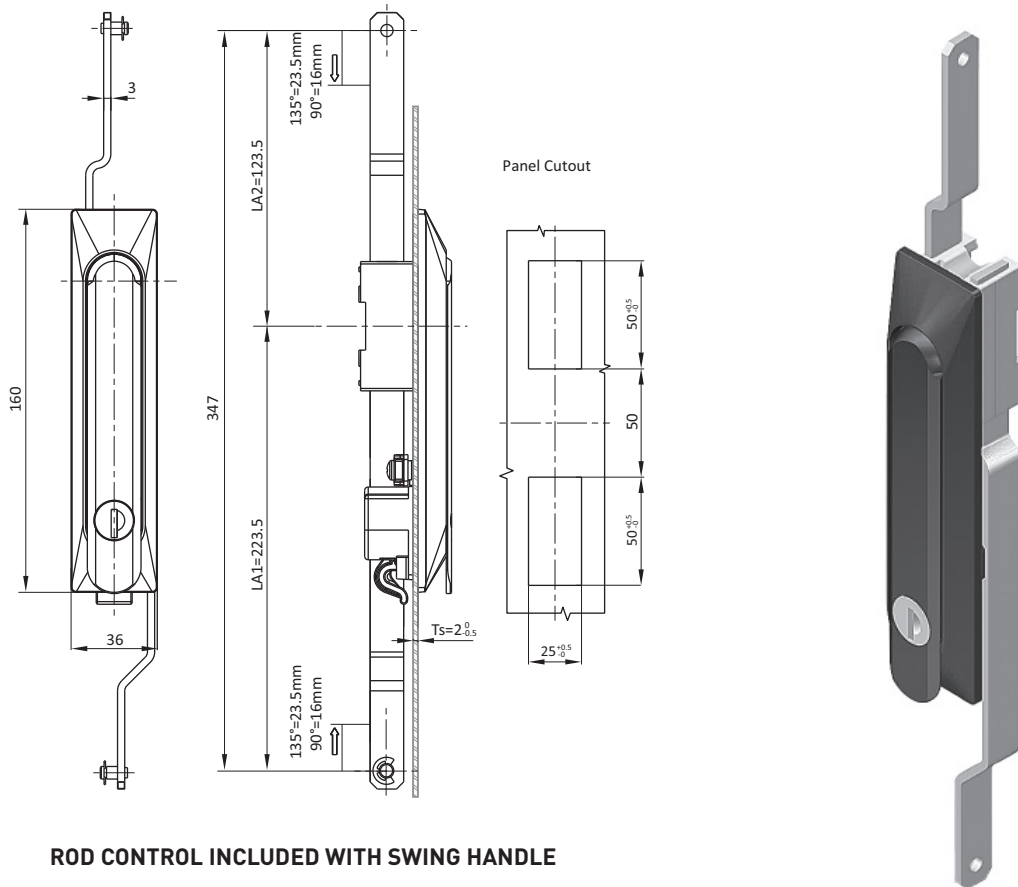
Combination lock and FH333 key

Part #
0813194

Compatible cams see pages 48-49, 238-239
 Compatible Rod Control see pages 138-139

CYLINDER LOCK SWING HANDLE - ROD CONTROL

DESCRIPTION	For easy and secure latching and locking of doors and flaps. Wide range of inserts, cams, and accessories.
MATERIAL	Body: PA, glass fiber reinforced Handle, shaft, and rod control: Die-cast zinc Hardware: Mild steel
SURFACE	Black powder coated Hardware: Zinc plated
SPECIALS	Right and Left IP65 / NEMA 4 PUR foam gasket Unique key version on request FH751 key code on request Padlockable on request



ROD CONTROL INCLUDED WITH SWING HANDLE

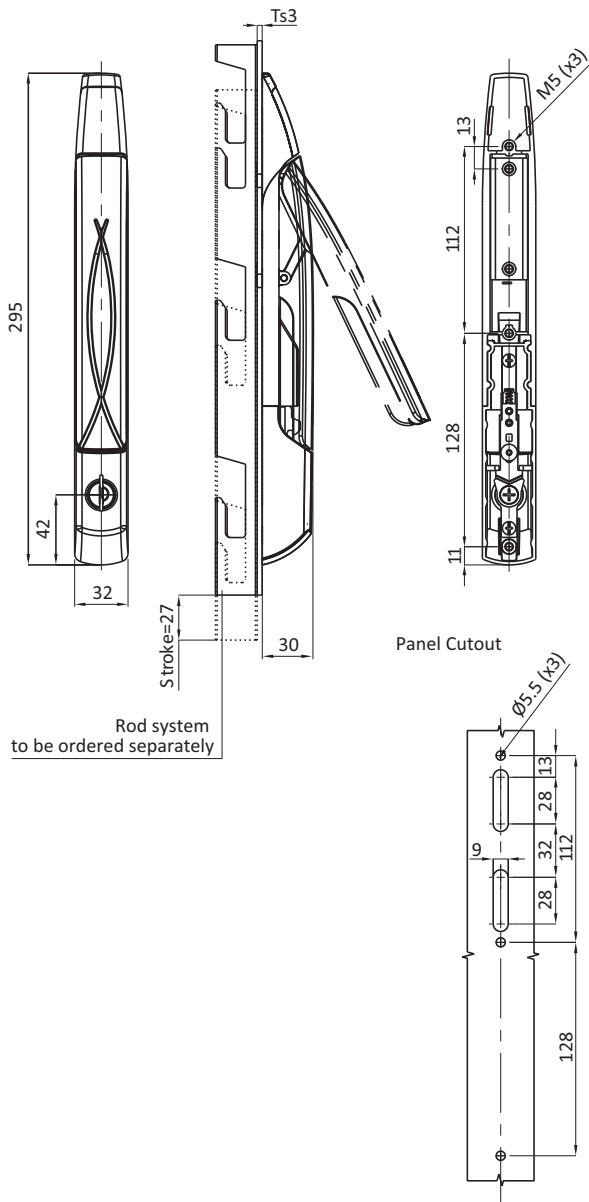
Keyed FH333

Black Powder
0813192

Compatible Rod Control see pages 138-139
 Chapter 5 and 9 for accessories

CYLINDER LOCK SWING HANDLE - SPECIAL

DESCRIPTION	For easy and secure latching and locking of doors and flaps. Wide range of inserts, cams, and accessories.
MATERIAL	Body: Die-cast zinc Mounting bracket, push plate, baffle plate and pin: Stainless steel
SURFACE	Body: Black powder coated / RAL 7032 powder coated
SPECIALS	Right and Left IP65 / NEMA 4 PUR foam gasket



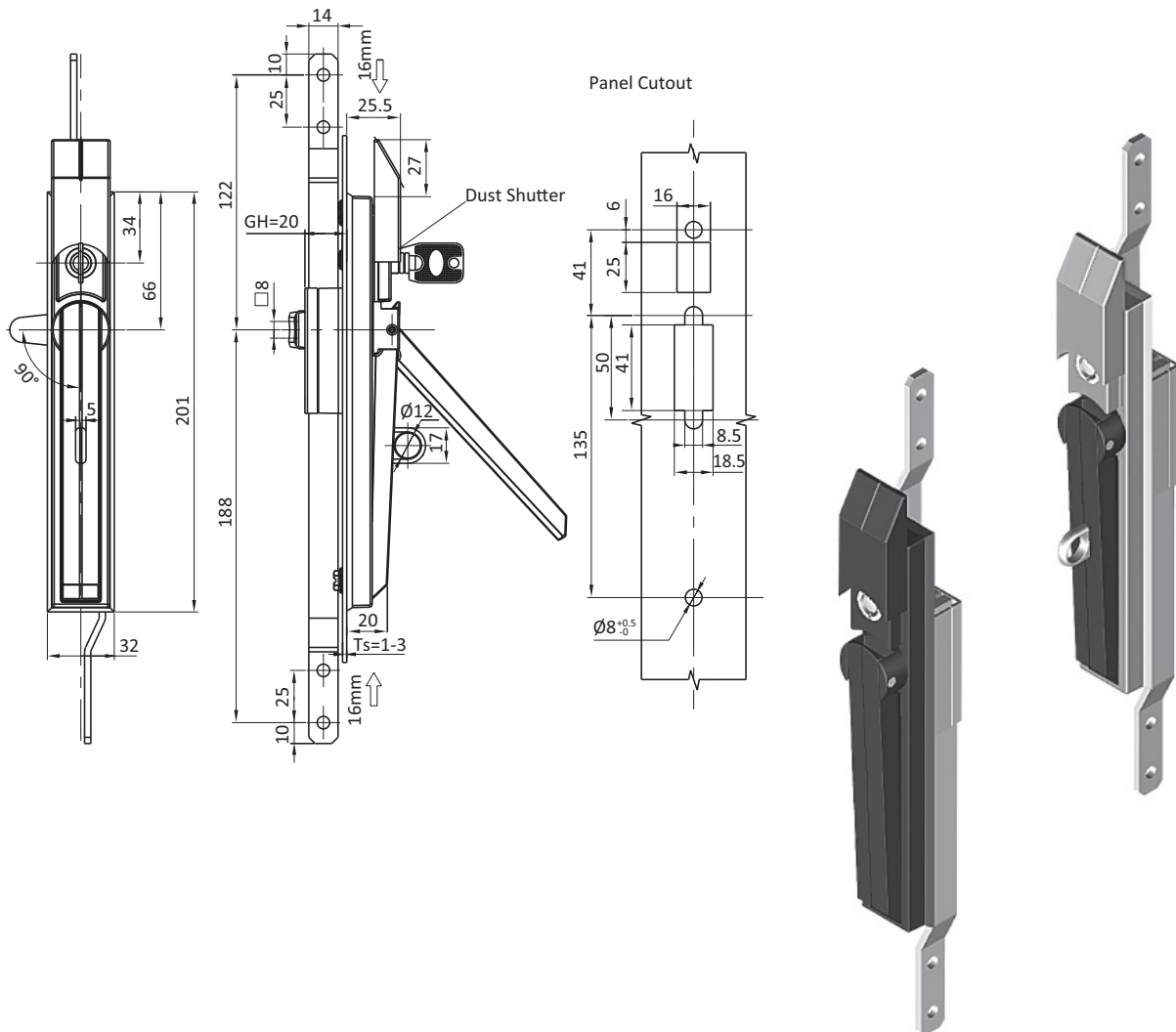
Cylinder Lock Swing Handle – Cam Control
 Keyed FH333

Black Powder Coated
0813204

RAL 7032 Powder Coated
0813205

CYLINDER LOCK SWING HANDLE - ROD CONTROL

DESCRIPTION	For easy and secure latching and locking of doors and flaps. Wide range of inserts, cams, and accessories.
MATERIAL	Body and handle: Die-cast zinc Rod control: 316 SS
SURFACE	Body and handle: Black powder coated / RAL 7032 powder coated
SPECIALS	Rod control



Cylinder Lock Swing Handle – Cam Control

Control

Black Powder Coated

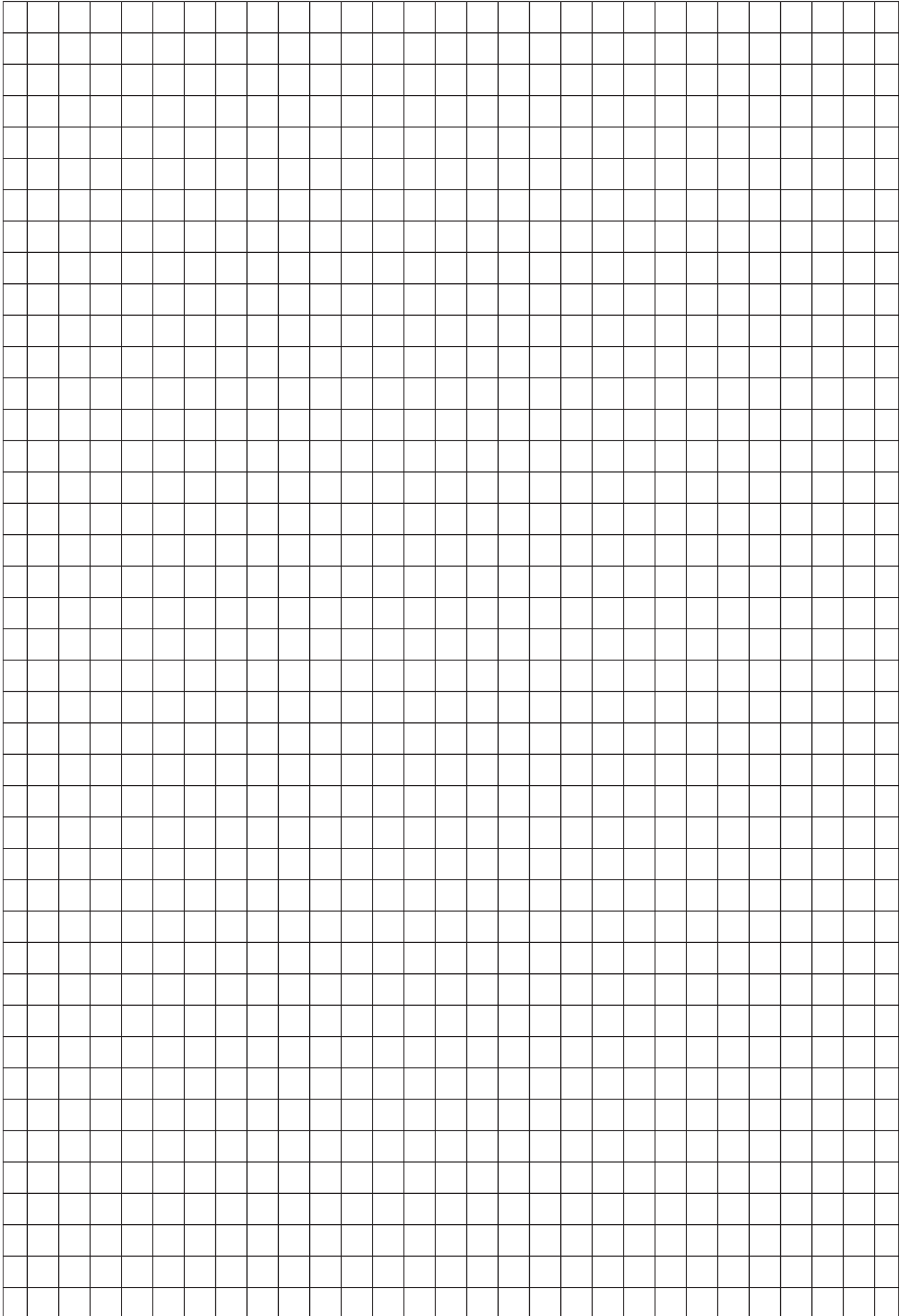
RAL 7032 Powder Coated

3 point rod control

0811035

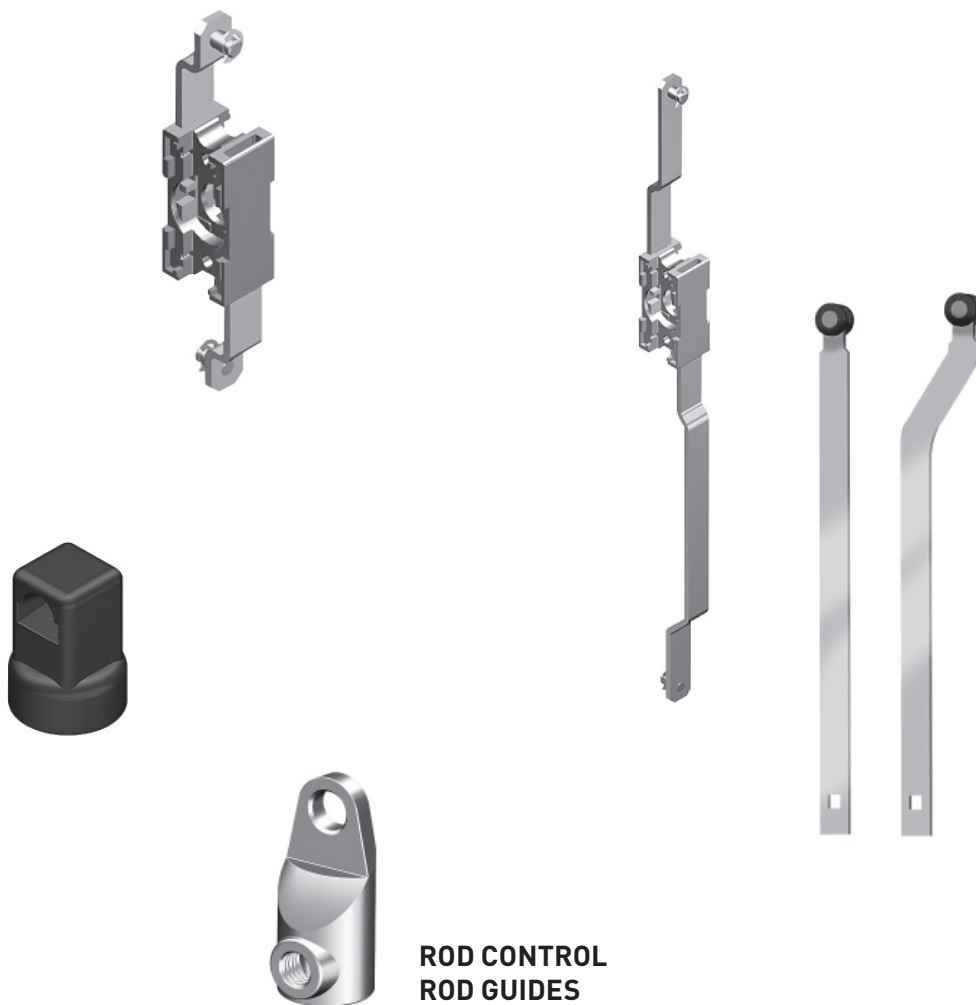
0811036

Compatible Rod Control see pages 138-139
 Chapter 5 and 9 for accessories



INDUSTRIAL HARDWARE

CHAPTER 5: **ACCESSORIES FOR SWING HANDLES**

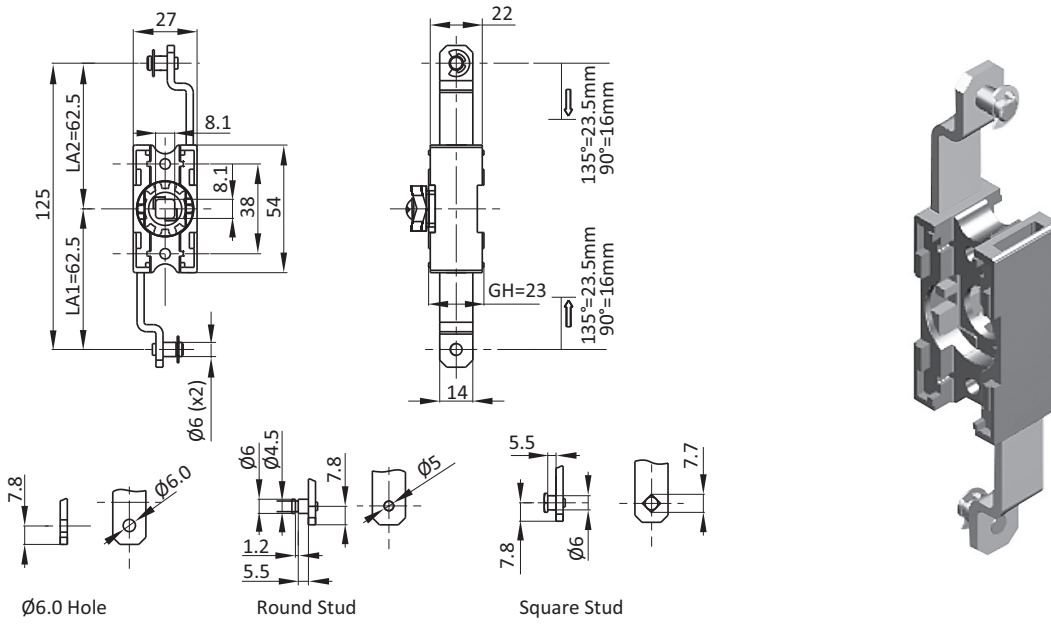


ROD CONTROL	138-140
ROD GUIDES	141-142
ADJUSTABLE ROD GUIDE	143
ROD CATCHES	144
ROD GUIDES / ROD ADAPTER	145
RODS	146-148
PROFILE DIN CYLINDER LOCK	149
GROMMET/BUMPER	150

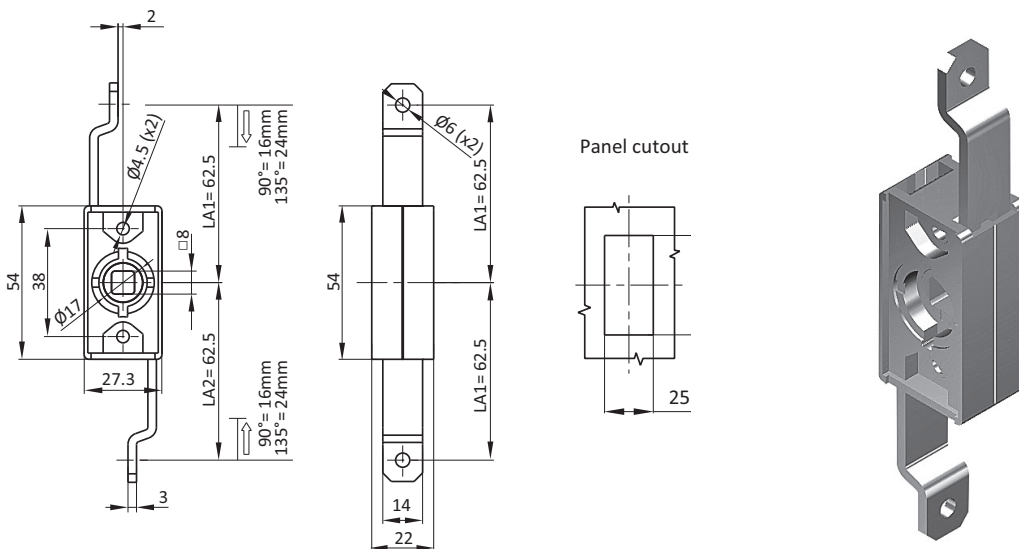
ROD CONTROL

DESCRIPTION	For easy and secure latching and locking of doors and flaps. Wide range of inserts, cams, and accessories.
MATERIAL	Body: Die cast zinc Rods: Mild steel
SURFACE	Zinc plated
SPECIALS	Right and left

Style A



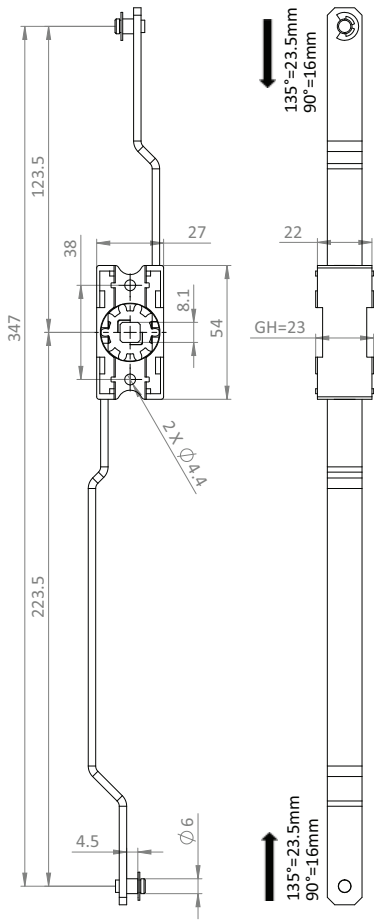
Style B



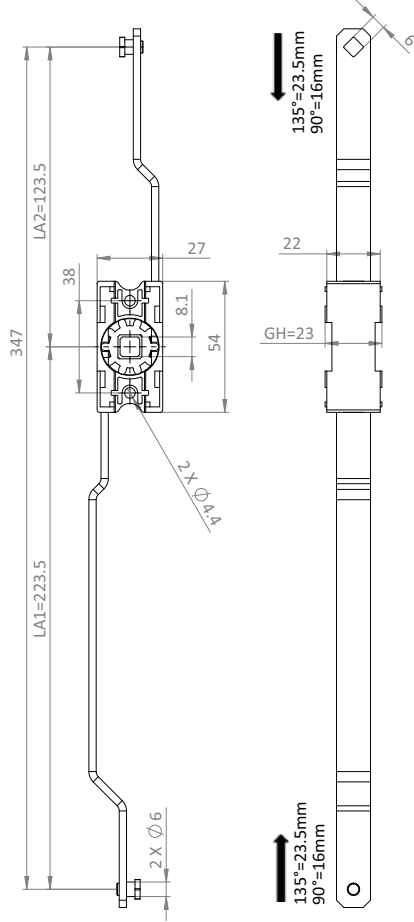
	Style A	Style B
Rod End		
Round studs	0813225	0813226
Square studs	0813227	0813228
6mm Hole	0813229	0813230

ROD CONTROL

DESCRIPTION	For easy and secure latching and locking of doors and flaps. Wide range of inserts, cams, and accessories.
MATERIAL	Body: Die cast zinc Rods: Mild steel 316/304 SS
SURFACE	Zinc plated
SPECIALS	Right and left



Style A



Style B

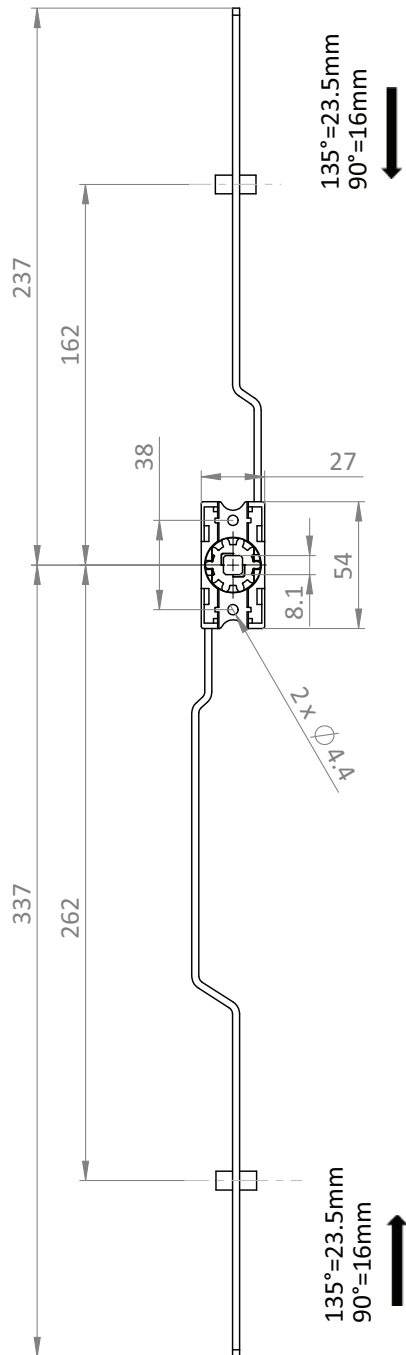


Rod End

Part #

Round studs (Style A)	0813231
Round studs (Style A)	0813231E
Square studs (Style B)	0813232

ROD CONTROL



DESCRIPTION	For easy and secure latching and locking of doors and flaps. Wide range of inserts, cams, and accessories.
MATERIAL	Body: Die cast zinc Rods: Mild steel
SURFACE	Zinc plated
SPECIALS	Right and left



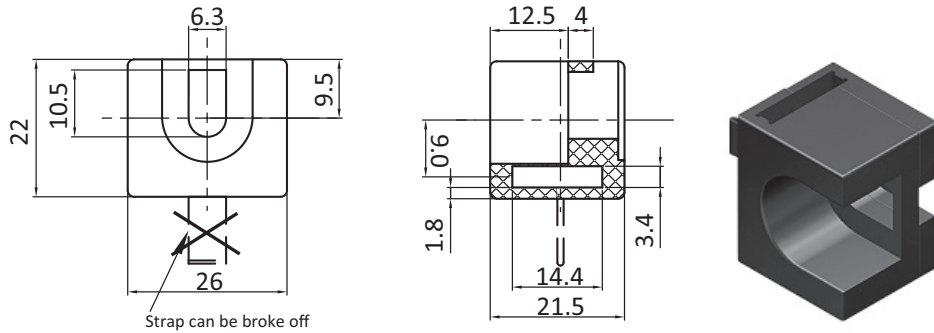
Part #

0813231501

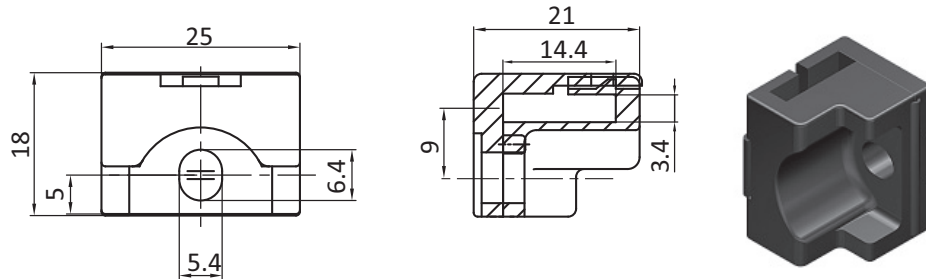
ROD GUIDES

DESCRIPTION	To guide flat rods parrallel to a door and add extra security to door latching and locking.
MATERIAL	PA, Die Cast Zinc
COLOR	Black

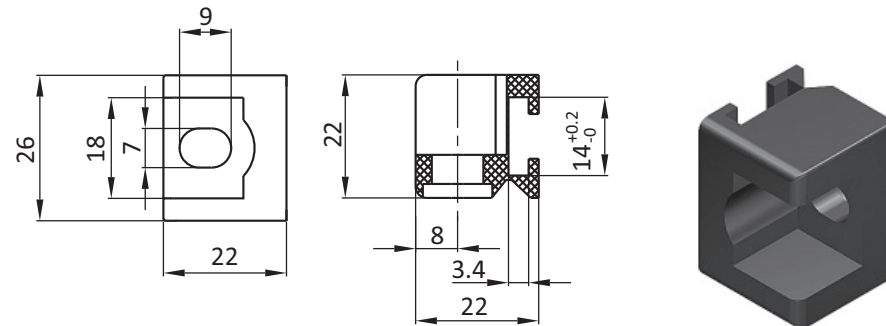
Version A
 For weld stud M6x16
 or M6x20



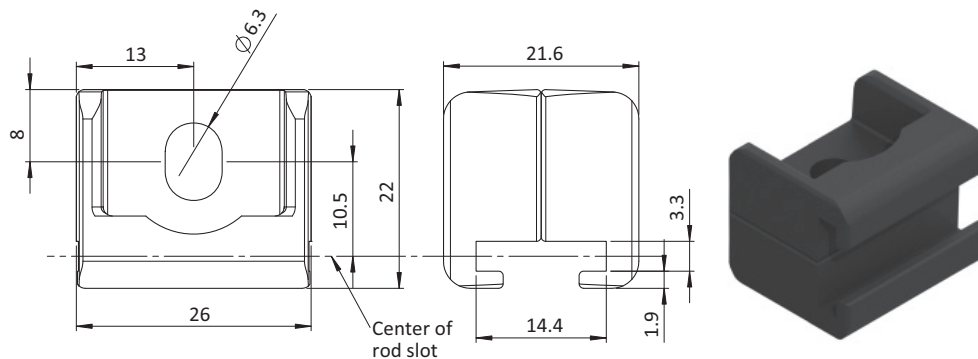
Version B
 For weld stud M5x12



Version C



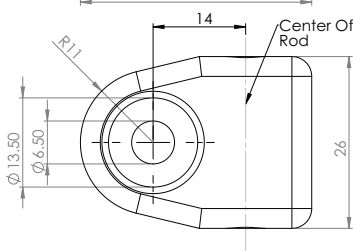
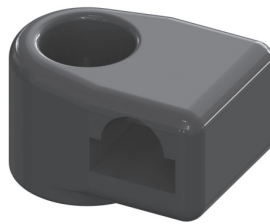
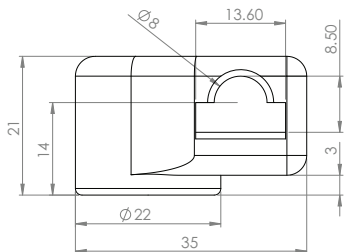
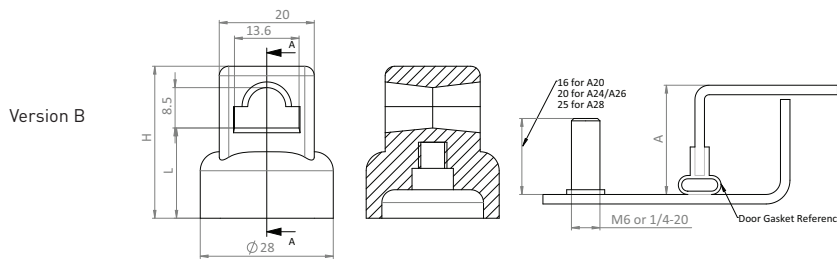
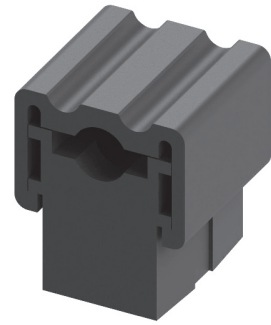
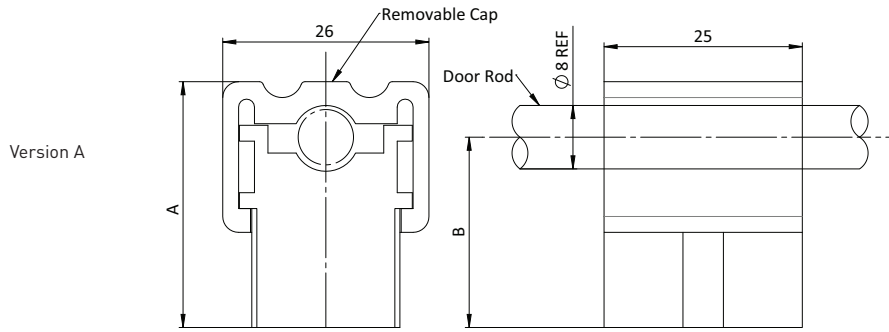
Version D



Version	Material	Stud Size	Flat Rod
Version A	PA6 30	M6 x 16 Minimum M6x20 Maximum	0890032
Version B	PA6 30	M5 x 12	0890033
Version C	PA6 30	M6 x 16	0813251
Version D	Die Cast Zinc	M6 x 16	0850182

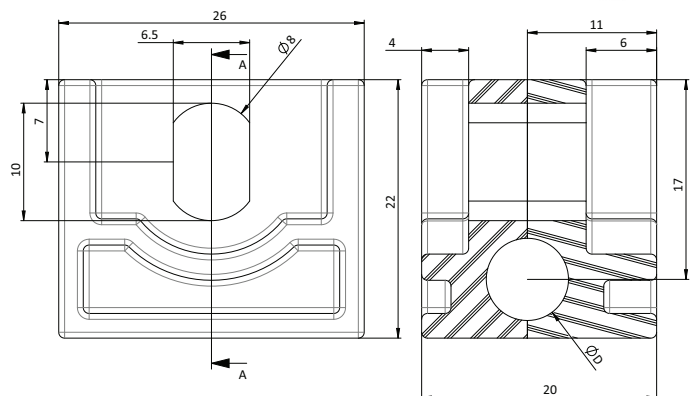
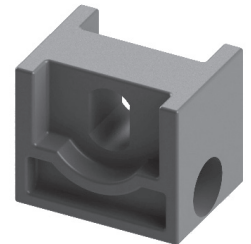
ROD GUIDES

DESCRIPTION	To guide flat rods parrallel to a door and add extra security to door latching and locking.
MATERIAL	PA6 30
COLOR	Black



Version C

Version D

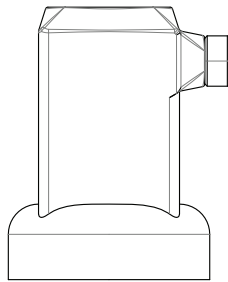
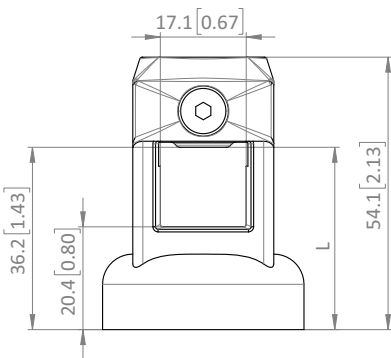


Version	Material	A [mm]	B[mm]	D[mm]	H [mm]	L [mm]	Stud Size	Round Rod #
Version A	PA6 30	31	24					0890031S03
	PA6 30	37	30					0890030S03
Version B	PA6 30	A20			32	20	M6 x 16	0890031S01
	PA6 30	A20			32	20	1/4 - 20 UNC	0890129CP01
	PA6 30	A26			38	25	M6 x 16	0890030
Version C	PA6 30	A34			44	30	M6 x 16	0890031
	PA6 30						M6	0890129S01
Version D				7				0890129S02
				8				0890129S03

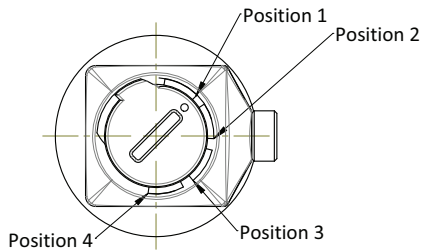
ADJUSTABLE ROD GUIDE



DESCRIPTION	To guide flat rods parrallel to a door and add extra security to door latching and locking.
MATERIAL	PA6 30
COLOR	Black



Position	L	
	Milimeters	Inch
1	36.2	1.43
2	34.6	1.36
3	33.1	1.30
4	31.5	1.24

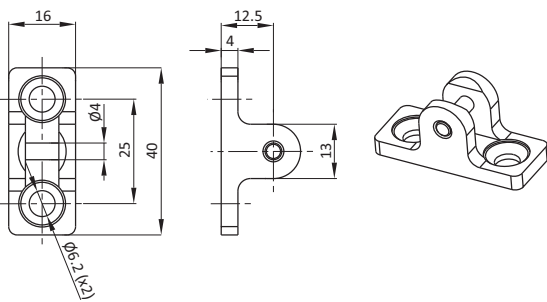


- Four position adjustable rod guide with ball detent for quick gasket compression adjustment
- Attaches to any 1/4-20 x 0.50" long stud
- Material: PA 30
- For use with 0.375" x 0.625 or smaller rectangular rod system

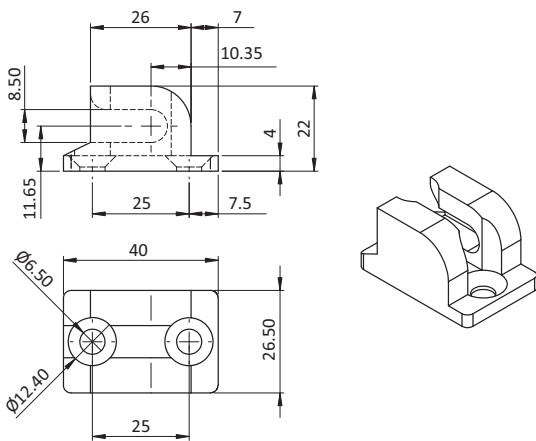
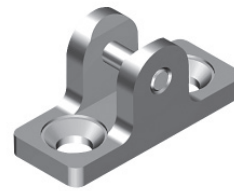
Description	Part #
Use Wiith 1/4-20 Stud	0850478
Use Wiith M6 X 1 Stud	0850478S01

ROD CATCHES

DESCRIPTION	To latch a door with multiple points.
MATERIAL	Die cast zinc
SURFACE	Zinc plated Black powder coated



Style A



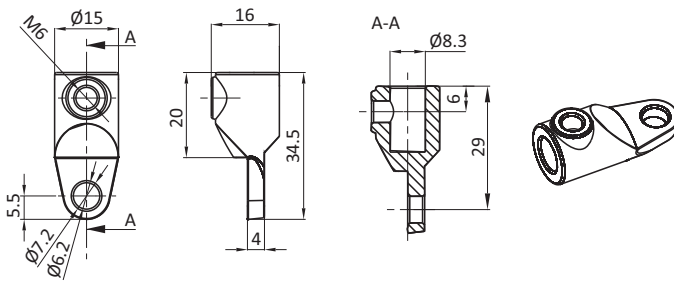
Style B



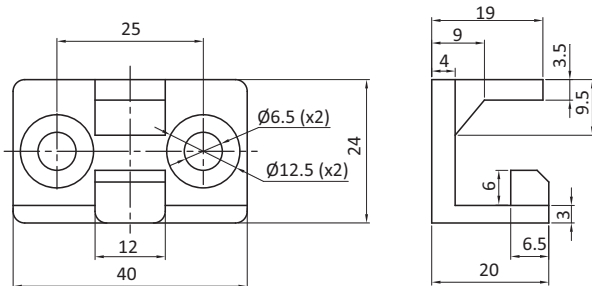
Rod Catches	Finish	Part #
Style A	Zinc Plated	0813253
Style B	Black Powdered Coated	0890029

ROD GUIDES / ROD ADAPTER

DESCRIPTION	To guide flat rods parallel to a door and add extra security to door latching and locking
MATERIAL	Die cast zinc 316 SS Clamping pin: PA black
SURFACE	Nickel plated Black powder coated
COLOR	Clamping pin: Black



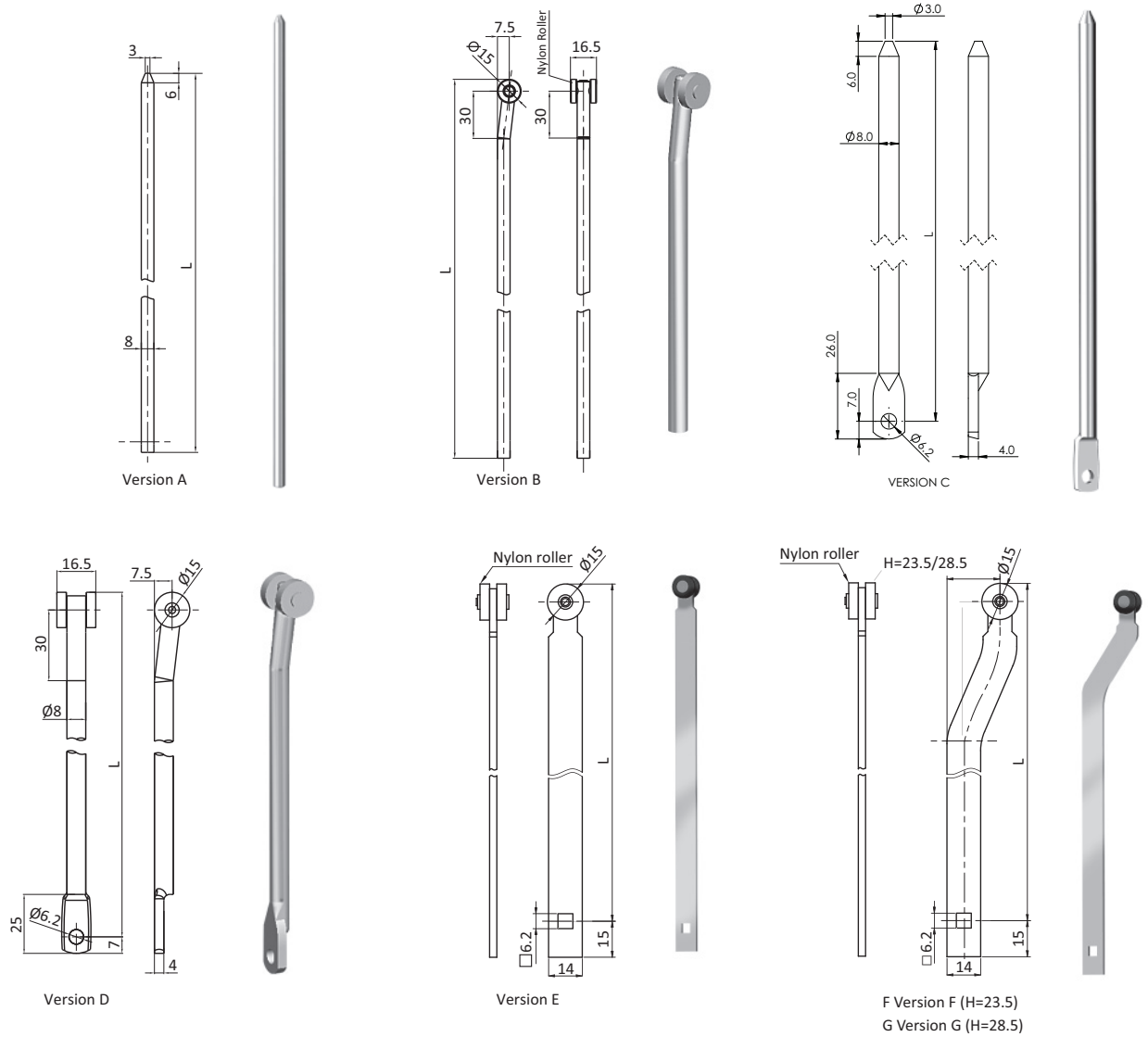
Rod catch



	Zinc plated	Black Powder Coated	316 SS
Adapter	0890027		0890027E
Rod Guide		0890028	

RODS

DESCRIPTION	Locks and unlocks both quarter turns and swing handles
MATERIAL	Mild steel with nylon roller
SURFACE	Zinc plated

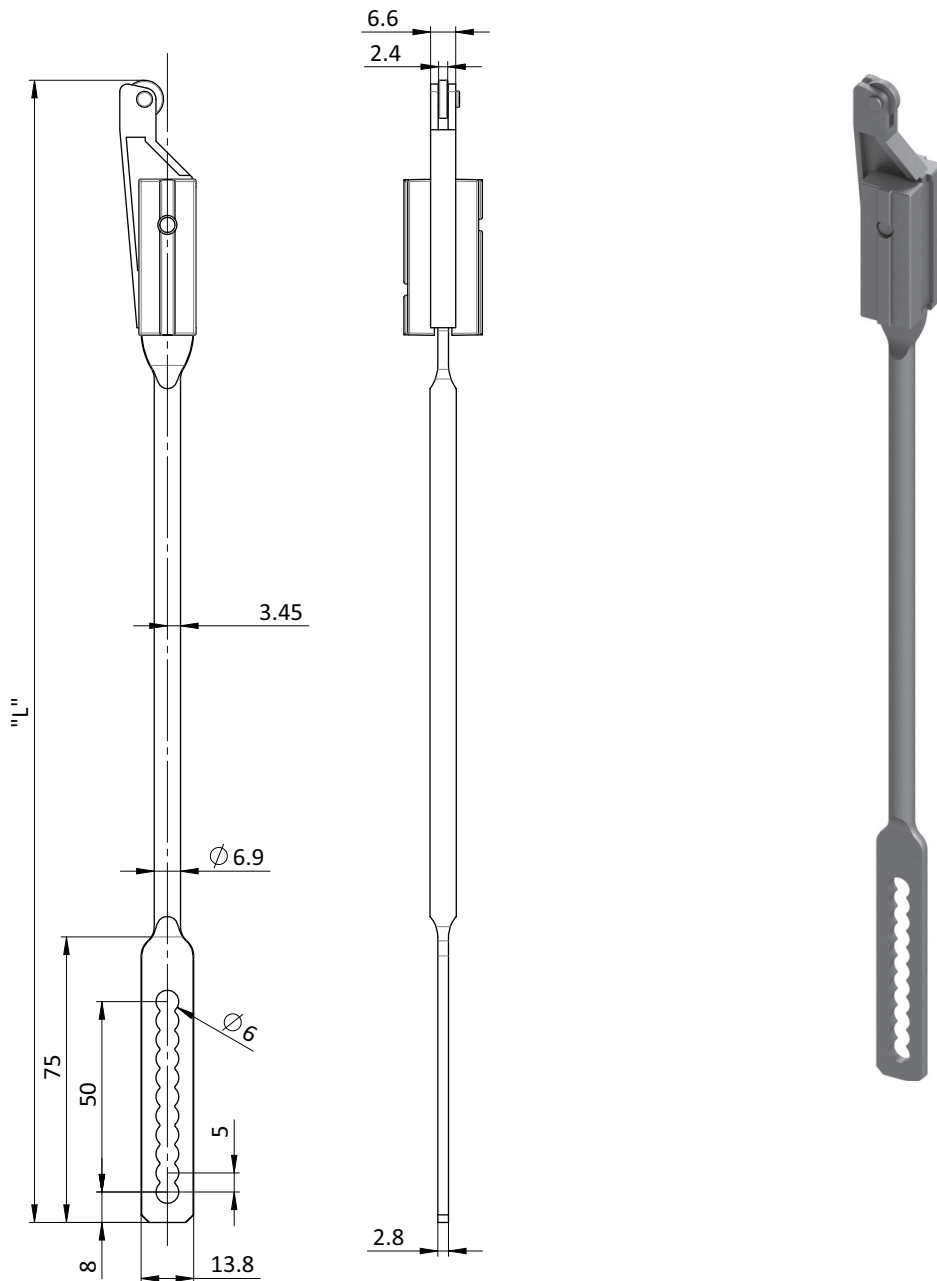


CUSTOM LENGTH RODS AVAILABLE

L [mm]	Version A	Version B	Version C	Version D	Version E	Version F	Version G
400	0890060	0890068	0890076	0890084	0890092	0890100	0890108
500	0890061	0890069	0890077	0890085	0890093	0890101	0890109
600	0890062	0890070	0890078	0890086	0890094	0890102	0890110
700	0890063	0890071	0890079	0890087	0890095	0890103	0890111
800	0890064	0890072	0890080	0890088	0890096	0890104	0890112
900	0890065	0890073	0890081	0890089	0890097	0890105	0890113
1000	0890066	0890074	0890082	0890090	0890098	0890106	0890114
1100	0890067	0890075	0890083	0890091	0890099	0890107	0890115
1200	0890201	0890202	0890203	0890204	0890205	0890206	0890207

RODS

DESCRIPTION	Locks and unlocks both quarter turns and swing handles
MATERIAL	Mild steel Rollers: Nylon
SURFACE	Zinc plated

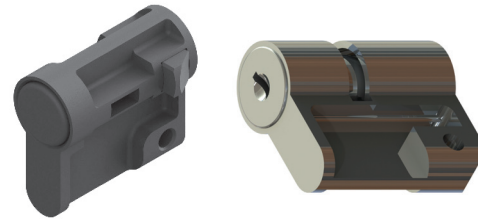
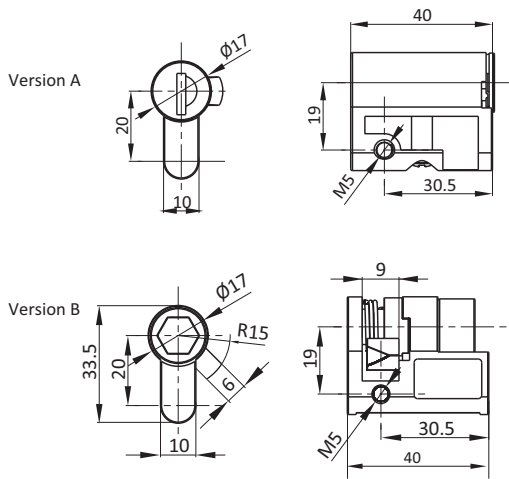


CUSTOM LENGTH RODS AVAILABLE

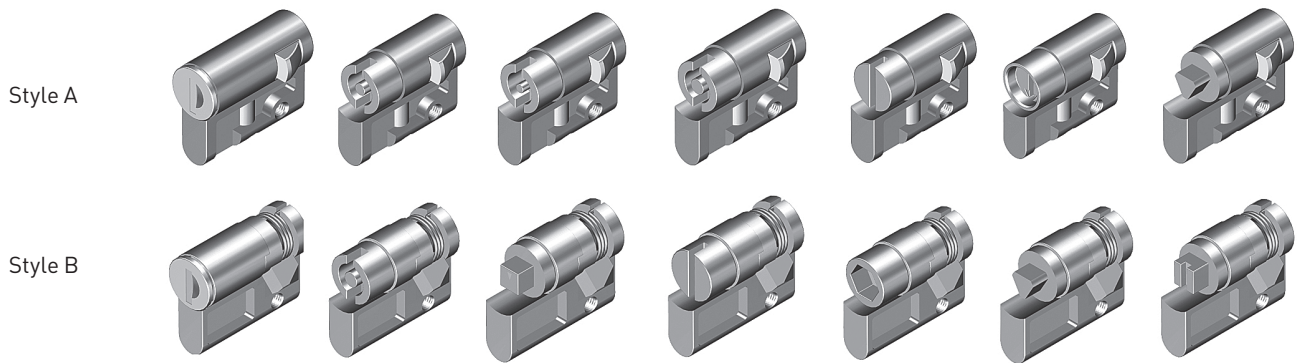
L [mm]	Selection #
300	0890212-0300
600	0890212-0600
700	0890212-0700
800	0890212-0800
900	0890212-0900
1000	0890212-1000

PROFILE DIN CYLINDER LOCK

DESCRIPTION	For easy and secure latching and locking of doors and flaps. Wide range of inserts, cams, and accessories.
MATERIAL	Body: Die cast zinc
SURFACE	Chrome plated



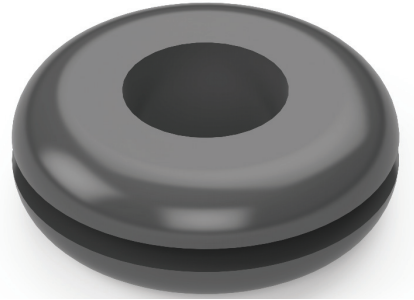
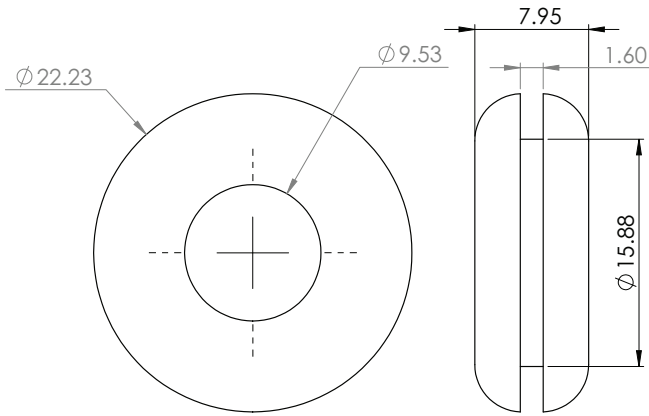
Push button
Style A



Cylinder Style	Style A	Style B	Style A Push Button
Keyed FH2233			06002SH0001R01
Keyed FH1333			06002SH0001R01S01
Non-Locking PA6-30			06002SH0001R01S03
Keyed FH333	0811042	0811043	
Double bit 3mm		0813235	
Double bit 4mm		0813236	
Double bit 5mm		0813237	
Slot 2 x 4		0813238	
Slot 2 x 4 coin proof		0813239	
Triangle 7mm		0813240	
Triangle 8mm		0813241	
Square 7mm		0813242	
Square 8mm		0813243	
Square 7mm with slot		0813244	
Square 8mm with slot		0813245	
Female square 8mm		0813246	
Hexagon female 8mm		0813247	
Hexagon female 9mm		0813248	
Hexagon female 8mm with 3mm pin		0813249	
Hexagon male 10mm		0813250	

GROMMET/BUMPER

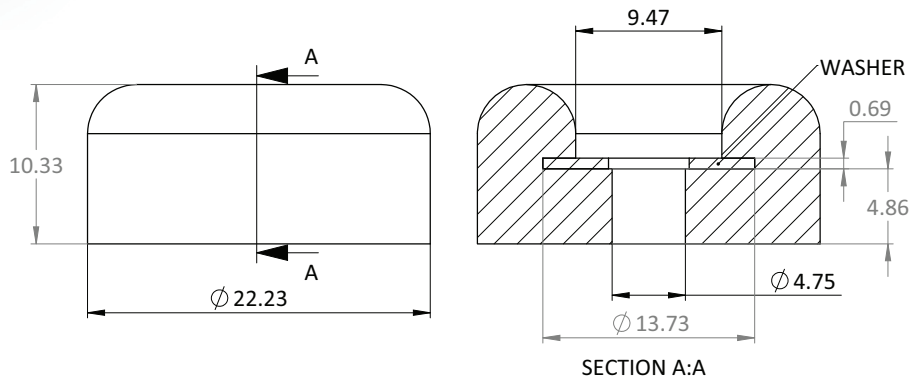
DESCRIPTION	Cable Protection
MATERIAL	Rubber, Black



Part #

0890308

DESCRIPTION	Wall Protector
MATERIAL	Rubber, Black Washer 304 Stainless Steel

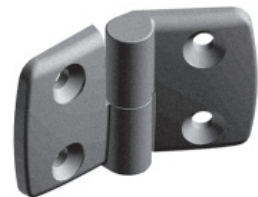
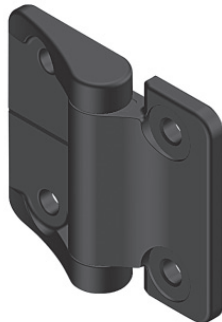
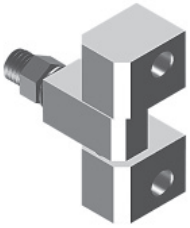


Part #

0890309

INDUSTRIAL HARDWARE

CHAPTER 6: **SURFACE HINGES**

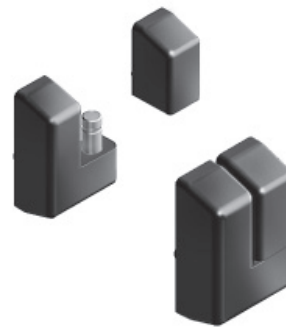
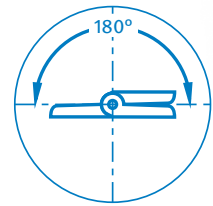
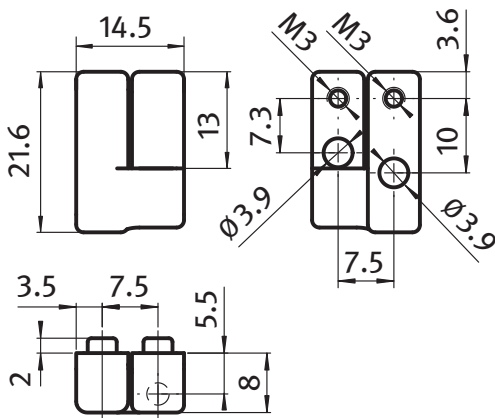


MINI HINGE	152
PLASTIC HINGE 20 MINI	153
PLASTIC HINGE 20	154
STAINLESS STEEL COMBI HINGE 20	154
PLASTIC COMBI HINGES	155
ALUMINUM COMBI HINGES	155
STAINLESS STEEL COMBI HINGES	156
COMBI HINGES WITH LOCKING LEVER	157
CLAMPING HINGES	158
SYSTEM HINGES	159
DIE-CAST ZINC HINGE 30 WITH OBLONG HOLES	160
HEAVY-DUTY PLASTIC HINGE 65 X 64	161
SCREW-ON HINGES	162-167
LIFT-OFF HINGES	169
SCREW-ON HINGES	170-175
LIFT OFF HINGE	176-180
SCREW-ON HINGE	181-188
FRICTION HINGES	189-192
FRICTION/DETENT HINGES	193
DETENT HINGES	194
SCREW-ON HINGE	195-197
HEAVY DUTY SCREW-ON HINGES	198-200
SCREW-ON HINGE	200-201
STAMPED METAL HINGES	202-208



MINI HINGE

DESCRIPTION	Mini hinge for various applications, especially in limited space
MATERIAL	Wings: Die-cast zinc Pin: Stainless steel
SURFACE	Black powder coated
FASTENING	From the back, using M3 screws
SPECIALS	Other surfaces, other colors on request

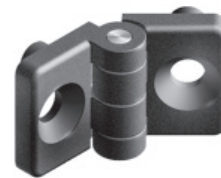
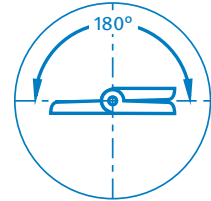
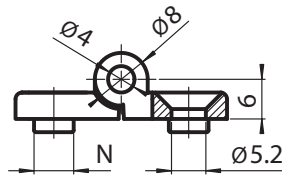
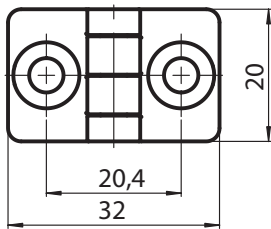


Mini Hinge	Weight [g]	F _{Amax} [N]	F _{Rmax} [N]	Left Hand, Lift off	Right Hand, Lift off
	12.0	100	100	095023L	095023R

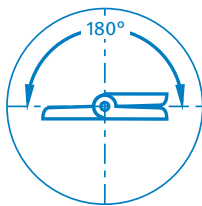


PLASTIC HINGE 20 MINI

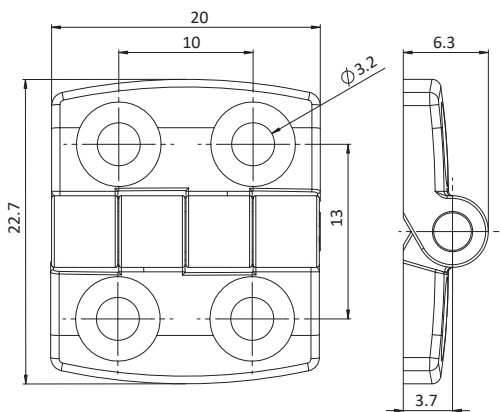
DESCRIPTION	To hinge panels or aluminum profiles
MATERIAL	Wings: Nylon PA, glass fiber reinforced Bolt: Stainless steel
COLOR	Black
FASTENING	From the front, using M5 countersunk screws
SPECIALS	Electrostatically conductive, other sizes, other colors on request



Plastic Hinge 20 Mini	F _{Amax} [N]	F _{Rmax} [N]	Part #
240	300		095022F00



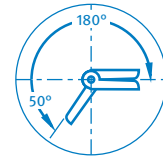
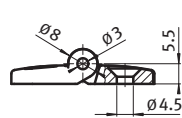
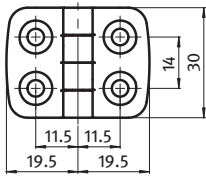
DESCRIPTION	To hinge panels or aluminum profiles
MATERIAL	Wings: Die Cast Zinc Bolt: Stainless steel
COLOR	Chrome Plated
FASTENING	From the front, using M3 countersunk screws



	Part #
	095Z1010F

PLASTIC HINGE 20

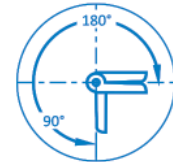
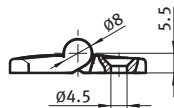
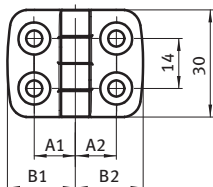
DESCRIPTION	To hinge panels or aluminum profiles
MATERIAL	Wings: Nylon PA, glass fiber reinforced; Cast Aluminum Bolt: Stainless steel
COLOR	Black
FASTENING	From the front, using M4 countersunk screws
SPECIALS	Electrostatically conductive, further colors, fixing pins for installation on aluminum profiles available on request



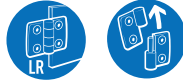
Material	FA max [N]	FR max [N]	Part #
PA 30	200	400	095K2020F00
Aluminum	215	275	095A2020F

STAINLESS STEEL COMBI HINGE 20

DESCRIPTION	To hinge panels
MATERIAL	Wing: Stainless steel SS316 Bolt: Stainless steel SS430 F
SURFACE	Polished
FASTENING	From the front, using M4 countersunk screws

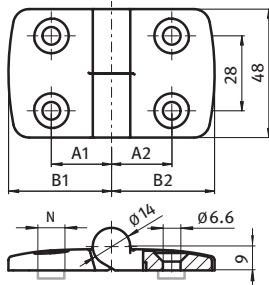


Stainless Steel Combi Hinge 20	A1 [mm]	A2 [mm]	B1 [mm]	B2 [mm]	Fmax [N]	FRmax [N]	Part #
	11.5	11.5	19.0	19.0	450	700	095E2020F



PLASTIC COMBI HINGES

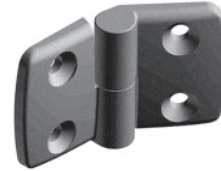
DESCRIPTION	To hinge panels
MATERIAL	Hinge leaves: Nylon PA, glass fiber reinforced Hinge pin: Stainless steel
COLOR	Black



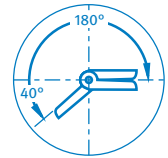
Asymmetric hinges available on request



Non Lift Off



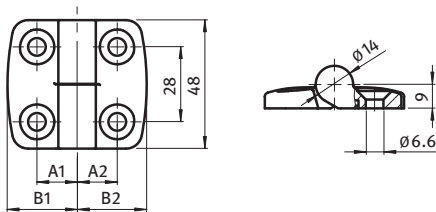
Lift Off



Plastic Combi Hinges	A1 [mm]	A2[mm]	B1[mm]	B2 [mm]	Left Hand	Right Hand	Non-Lift Off
	15.0	15.0	26.0	26.0	095K2525L00	095K2525R00	095K2525F00
	17.5	17.5	29.5	29.5	095K3030L00	095K3030R00	095K3030F00
	20.0	20.0	36.0	36.0	095K3535L00	095K3535R00	095K3535F00
	22.5	22.5	38.5	38.5	095K4040L00	095K4040R00	095K4040F00
	25.0	25.0	43.5	43.5	095K4545L00	095K4545R00	095K4545F00
	27.5	27.5	48.5	48.5	095K5050L00	095K5050R00	095K5050F00
	32.5	32.5	57.5	57.5	095K6060L00	095K6060R00	095K6060F00

ALUMINUM COMBI HINGES

DESCRIPTION	To hinge panels
MATERIAL	Hinge leaves: Die-cast aluminum Hinge pin: Stainless steel
SURFACE	Alu color lacquered



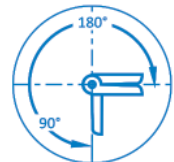
Asymmetric hinges available on request



Non Lift Off



Lift Off

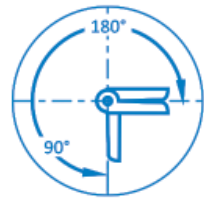
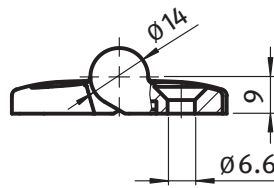
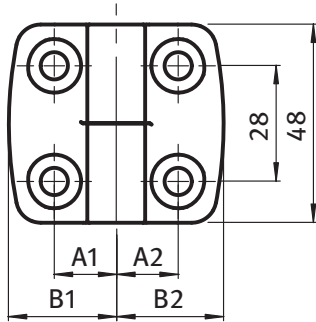


Aluminum Combi Hinges	A1 [mm]	A2 [mm]	B1 [mm]	B2 [mm]	Left Hand	Right Hand	Non-Lift Off
	15.0	15.0	26.0	26.0	095A2525L	095A2525R	095A2525F
	17.5	17.5	29.5	29.5	095A3030L	095A3030R	095A3030F
	20.0	20.0	36.0	36.0	095A3535L	095A3535R	095A3535F
	22.5	22.5	38.5	38.5	095A4040L	095A4040R	095A4040F
	25.0	25.0	43.5	43.5	095A4545L	095A4545R	095A4545F
	27.5	27.5	48.5	48.5	095A5050L	095A5050R	095A5050F
	32.5	32.5	57.5	57.5	095A6060L	095A6060R	095A6060F



STAINLESS STEEL COMBI HINGES

DESCRIPTION	To hinge panels
MATERIAL	Hinge leaves: Stainless steel SS316 Hinge pin: Stainless steel
SURFACE	Polished



Non Lift Off



Lift Off

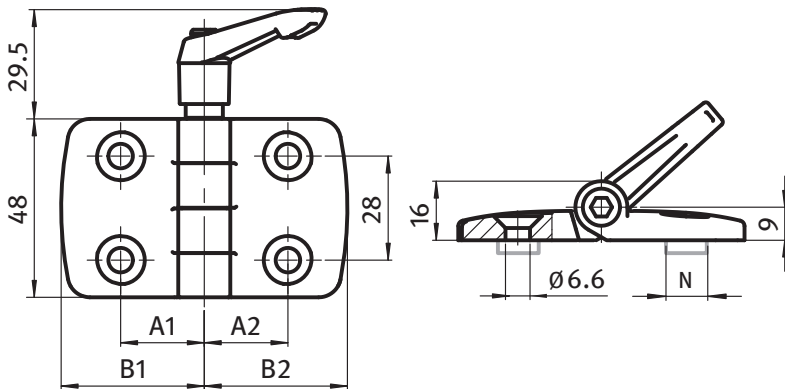
Asymmetric hinges available on request

Stainless Steel Combi Hinges	A1 [mm]	A2 [mm]	B1 [mm]	B2 [mm]	Left Hand	Right Hand	Non-Lift Off
	15.0	15.0	26.0	26.0	095E2525L	095E2525R	095E2525F
	17.5	17.5	29.5	29.5	095E3030L	095E3030R	095E3030F
	20.0	20.0	36.0	36.0	095E3535L	095E3535R	095E3535F
	22.5	22.5	38.5	38.5	095E4040L	095E4040R	095E4040F
	25.0	25.0	43.5	43.5	095E4545L	095E4545R	095E4545F
	27.5	27.5	48.5	48.5	095E5050L	095E5050R	095E5050F
	32.5	32.5	57.5	57.5	095E6060L	095E6060R	095E6060F



COMBI HINGES WITH LOCKING LEVER

DESCRIPTION	To hinge panels or aluminum profiles; can be locked at any position
MATERIAL	Hinge: Nylon PA, glass fiber reinforced Locking lever: Nylon PA, glass fiber reinforced Mechanism: Steel, zinc plated (RoHS conform)
COLOR	Black
FASTENING	From the front, using M6 countersunk screws
SPECIALS	Electrostatically conductive, other sizes, other colors on request



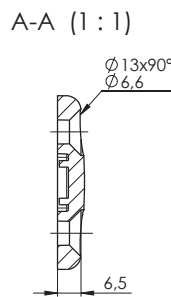
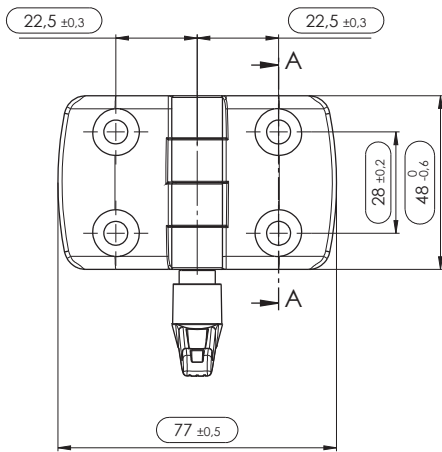
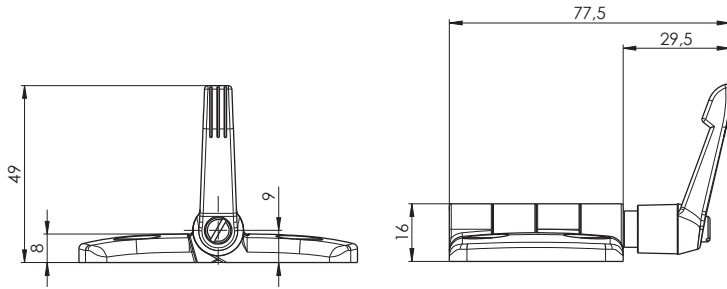
Asymmetric hinges available on request

Combi Hinges with Locking Lever	A1 [mm]	A2 [mm]	B1 [mm]	B2 [mm]	F _{Amax} [N]	F _{Rmax} [N]	Part #
	15.0	15.0	26.0	26.0	380	500	095KF2525F00
	17.5	17.5	29.5	29.5	400	700	095KF3030F00
	20.0	20.0	36.0	36.0	400	700	095KF3535F00
	22.5	22.5	38.5	38.5	450	750	095KF4040F00
	25.0	25.0	43.5	43.5	450	750	095KF4545F00
	27.5	27.5	48.5	48.5	425	800	095KF5050F00
	32.5	32.5	57.5	57.5	175	850	095KF6060F00



CLAMPING HINGES

DESCRIPTION	To hinge panels
MATERIAL	Hinge leaves: Die Cast Aluminum Hinge pin: Zinc Plated steel
COLOR	Black Nickel Plate



Clamping Hinges

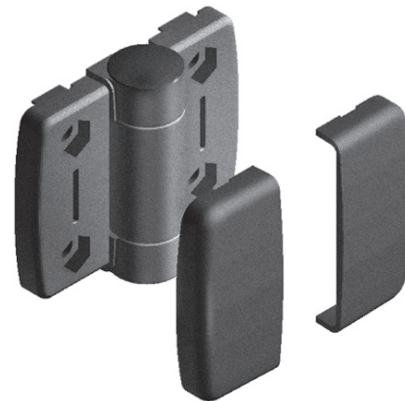
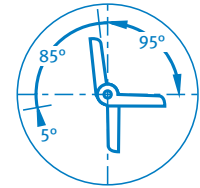
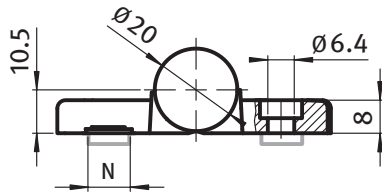
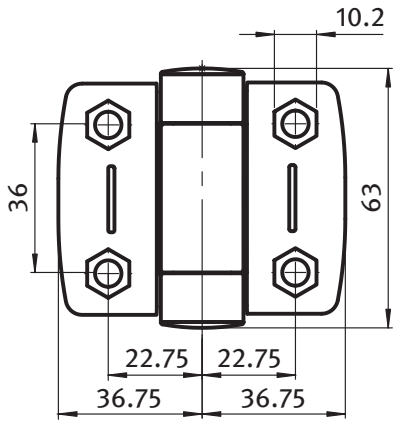
Part #

095AF4040FS01



SYSTEM HINGES

DESCRIPTION	To hinge panels
MATERIAL	Hinge leaves: Nylon PA, glass fiber reinforced Hinge pin: Stainless steel
COLOR	Black

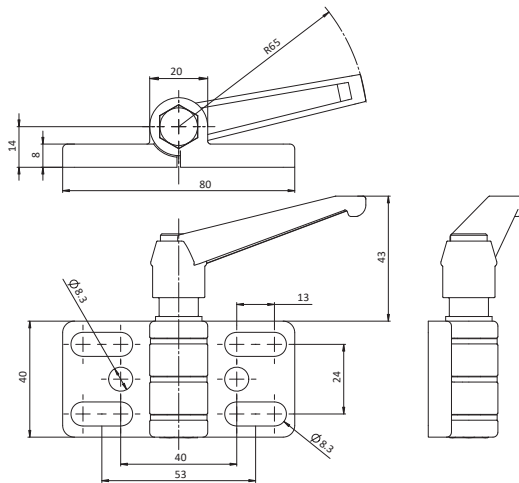
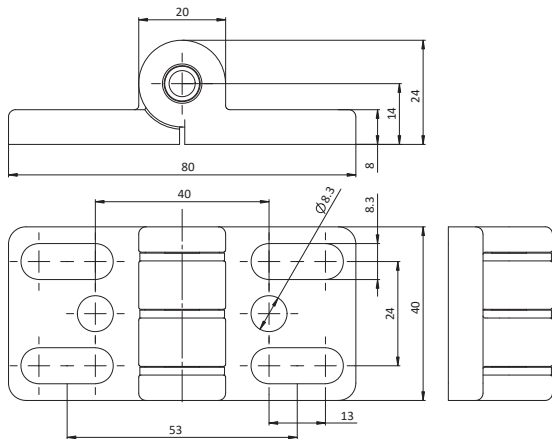
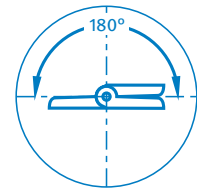
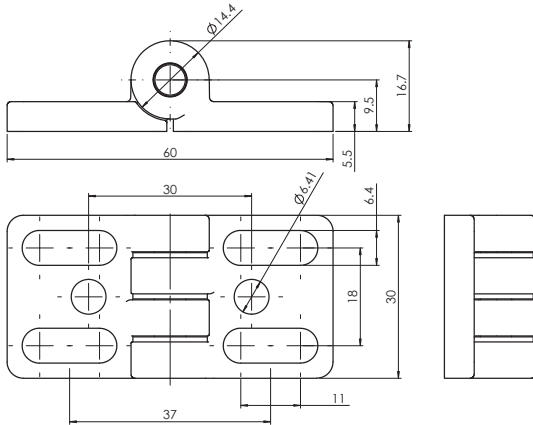


System Hinges	A1 [mm]	B1 [mm]	Standard	Position	Friction
	17.75	27.0	095S3030A00	095SR3030A00	095SF3030A00
	22.75	36.75	095S4040A00	095SR4040A00	095SF4040A00



DIE-CAST ZINC HINGE 30 WITH OBLONG HOLES

DESCRIPTION	To hinge panels
MATERIAL	Wings: Die-cast zinc Pin: Stainless steel
SURFACE	Black powder coated
FASTENING	From the front, using M6 screws
SPECIALS	Other surfaces, other colors on request

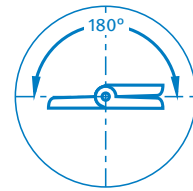
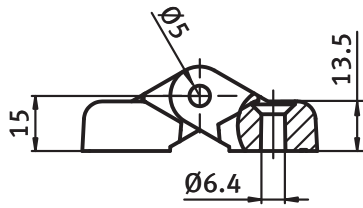
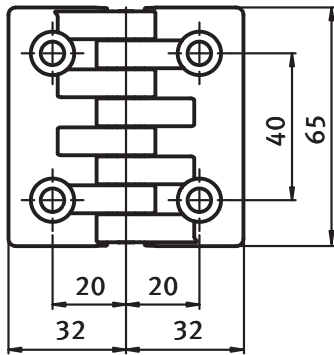


Die-Cast Zinc Hinge 30	Mounting Screw	F _{max} [N]	FR _{max} [N]	Part #
Hinge 30	M6	350	1000	095400
Hinge 40	M8	500	1200	095300
Hinge 40 with Locking Lever	M8	500	1200	095300F



HEAVY-DUTY PLASTIC HINGE 65 X 64

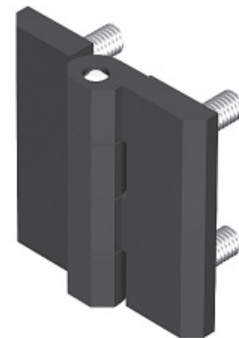
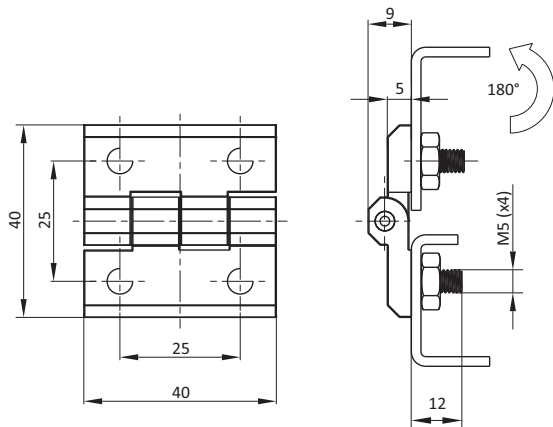
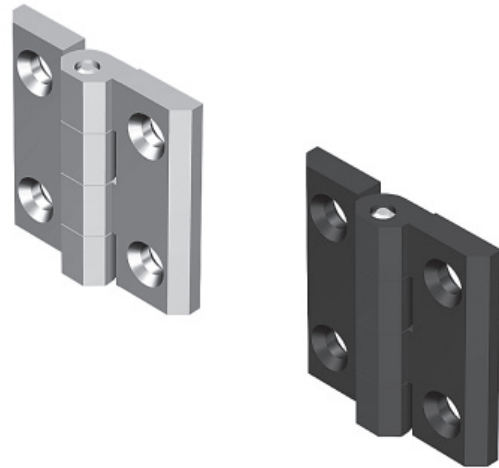
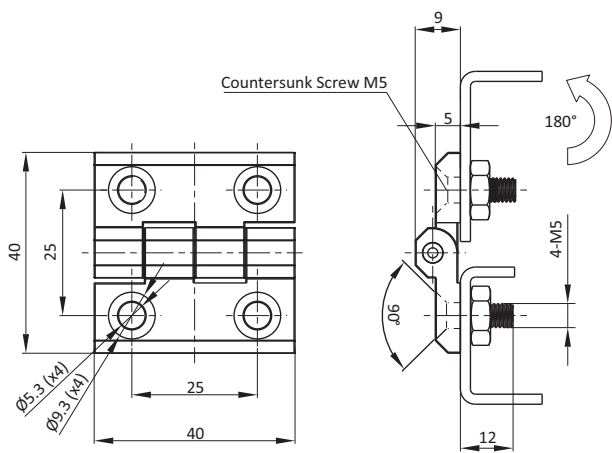
DESCRIPTION	To hinge panels
MATERIAL	Wings: Nylon PA, glass fiber reinforced Bolt: Stainless steel
SURFACE	Black
FASTENING	From the front, using M6 countersunk screws
SPECIALS	Electrostatically conductive, other sizes, other colors on request



Plastic Hinge	F _{Amax} [N]	F _{Rmax} [N]	Part #
	1500	2800	095065

SCREW-ON HINGES

DESCRIPTION	To hinge panels
MATERIAL	Hinge leaves: Die-cast zinc / stainless steel Hinge pin: Mild steel
SURFACE	Hinge leaves: Black powder coated / chrome plated Hinge pin: 304 Stainless Steel
SPECIALS	Non lift off

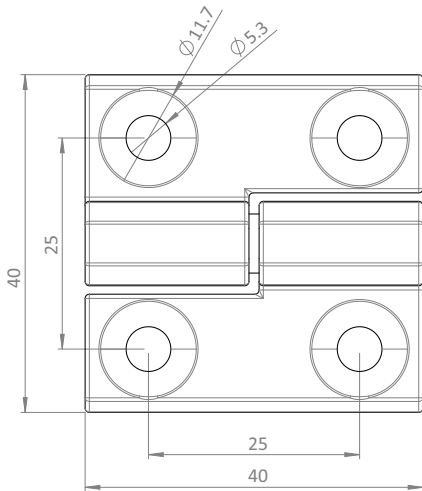


Version	Black Powder Coated	Chrome Plated	SS 316
Countersunk Screw M5	095005	095005S02	09574040E
M5 Studs	0830113	0830114	

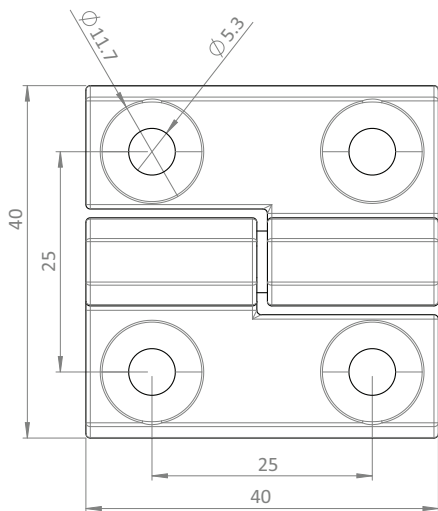
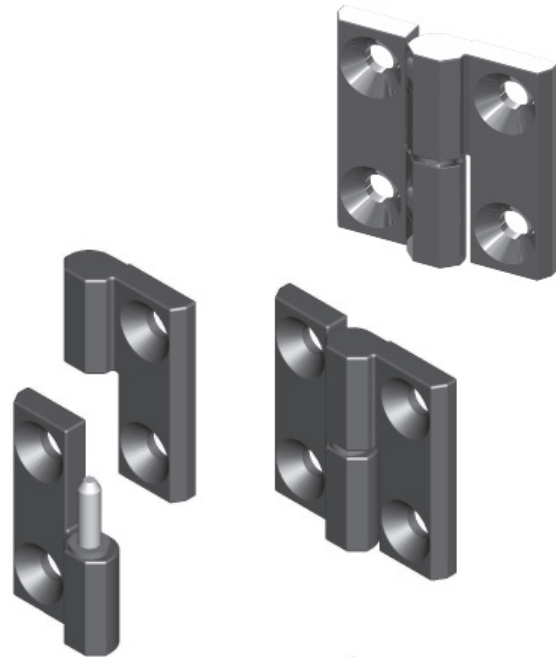
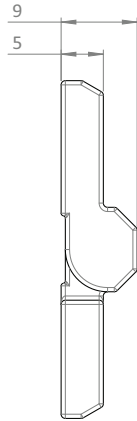


SCREW-ON HINGES

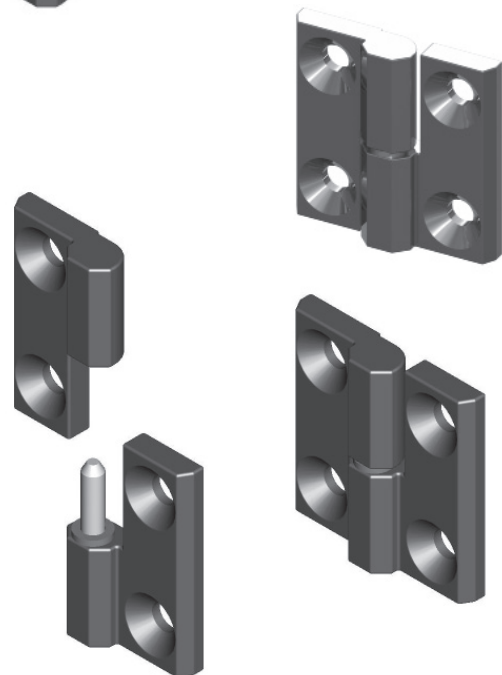
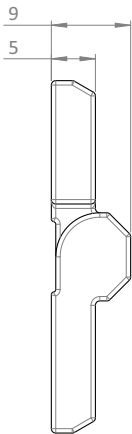
DESCRIPTION	To hinge panels
MATERIAL	Hinge leaves: Die-cast zinc Hinge pin: 304 SS
SURFACE	Hinge leaves: Black powder coat, Chrome Plated
HARDWARE	M5 Flat Head Screw



LEFT VERSION



RIGHT VERSION

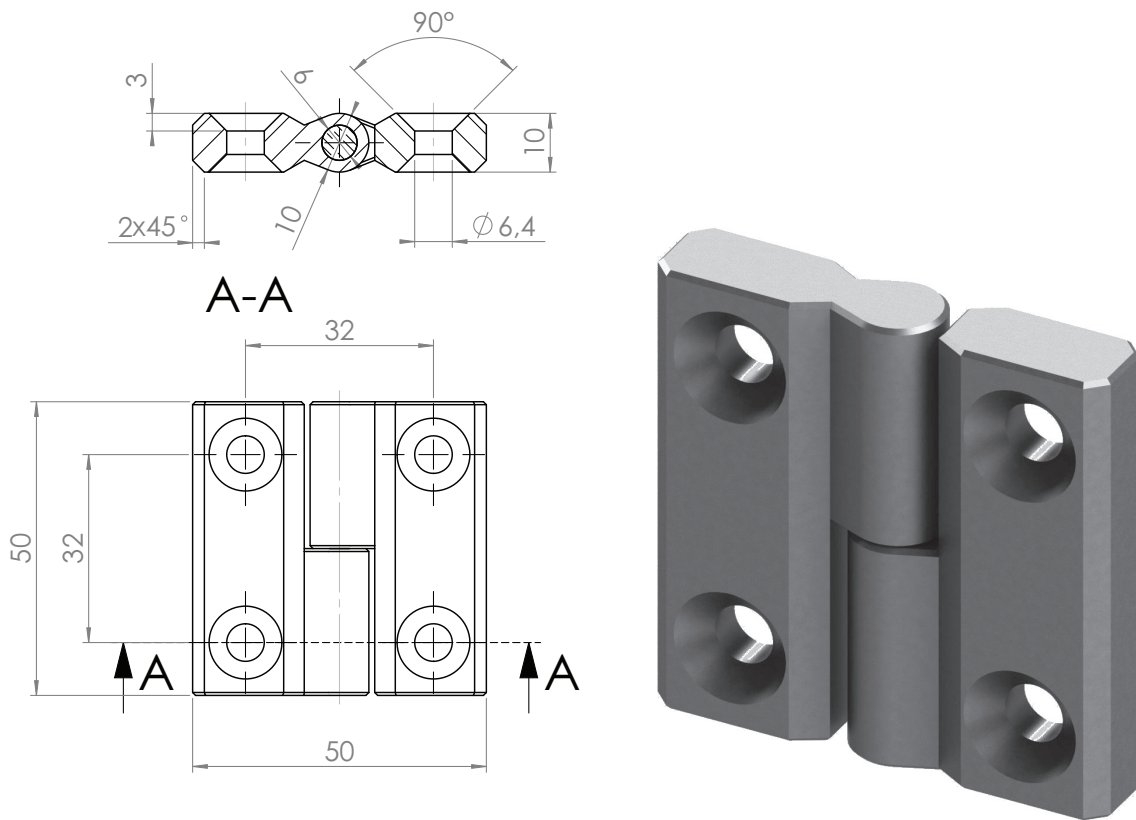


Version	Black Powder Coated	Chrome Plated
Left	0850270	0850270S01
Right	0850271	0850271S01



SCREW-ON HINGES

DESCRIPTION	To hinge panels
MATERIAL	Hinge pin: 304 SS
SURFACE	Passivate
HARDWARE	M6 Flat Head Screw



Version

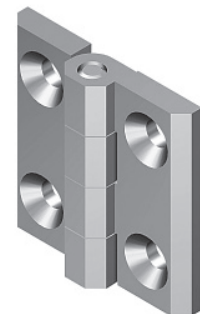
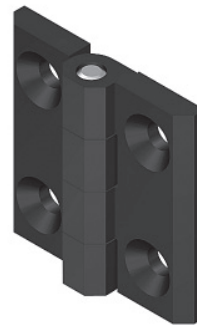
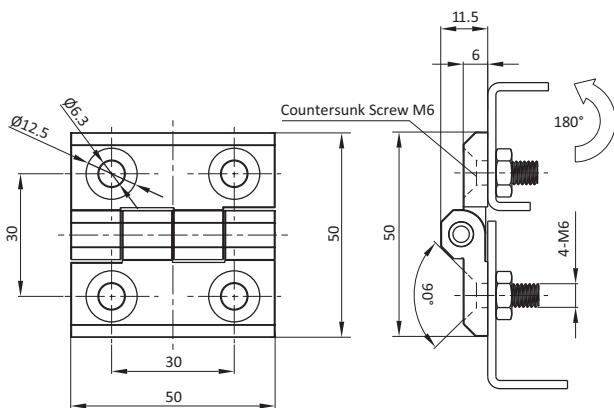
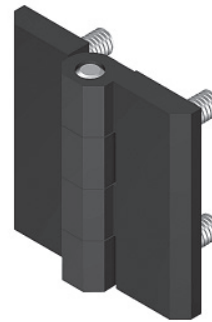
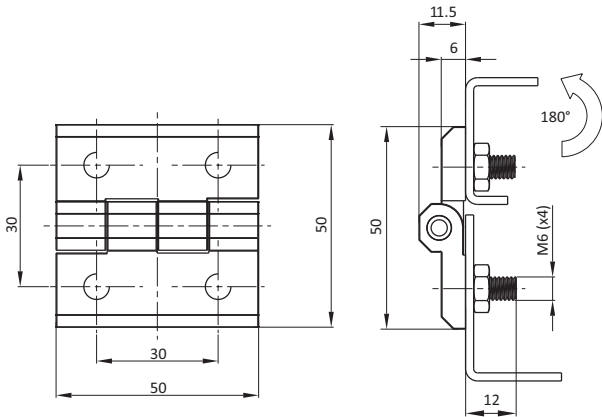
304 Stainless Steel

Left/Right

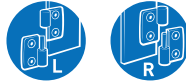
09575050ELR

SCREW-ON HINGES

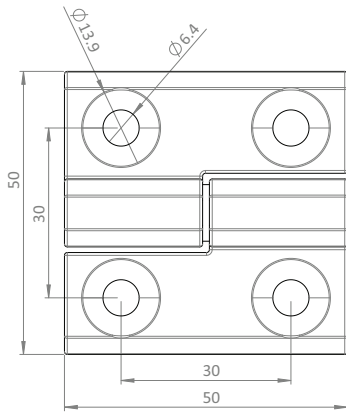
DESCRIPTION	To hinge panels
MATERIAL	Hinge leaves: Die-cast zinc / stainless steel Hinge pin: 304 SS
SURFACE	Hinge leaves: Black powder coated / chrome plated Hinge pin: 304 Stainless Steel
SPECIALS	Non lift off



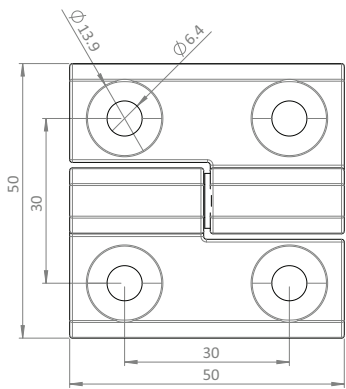
Version	Black Powder Coated	Chrome Plated	SS 316	PA6 30GF
Countersunk Screw M6	095006	095006S01	09575050E	095006K
M6 Four Studs	0830115	0830116		0830115K
Two M6 Studs and Two M6 Holes				0830206K



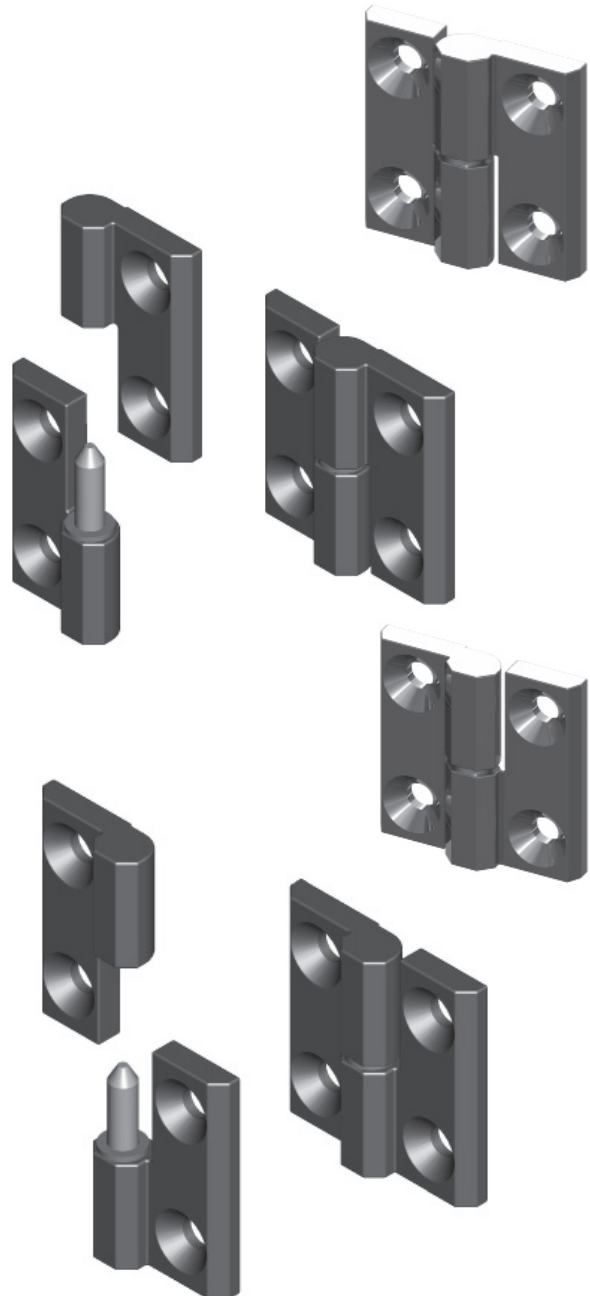
DESCRIPTION	To hinge panels
MATERIAL	Hinge leaves: Die-cast zinc Hinge pin: 304 SS
SURFACE	Hinge leaves: Black powder coat, Chrome Plated
HARDWARE	M6 Flat Head Screw



LEFT VERSION



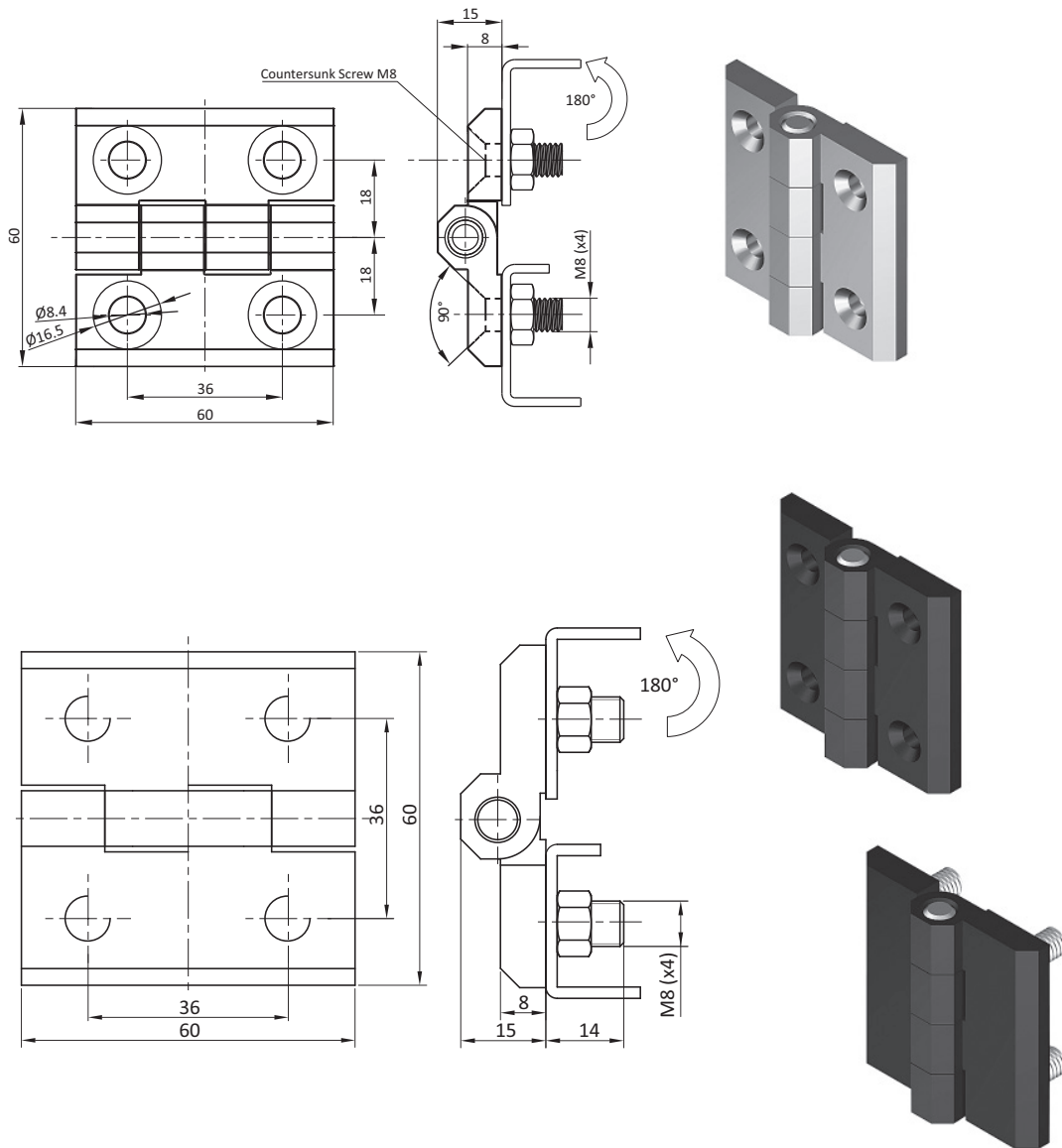
RIGHT VERSION



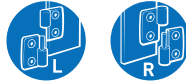
Version	Black Powder Coated	Chrome Plated
Left	0850272	0850272S01
Right	0850273	0850273S01

SCREW-ON HINGES

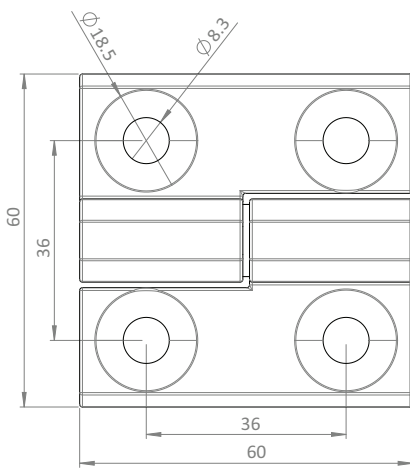
DESCRIPTION	To hinge panels
MATERIAL	Hinge leaves: Die-cast zinc Hinge pin: 304 Stainless Steel Threaded Studs: 304 Stainless Steel
SURFACE	Hinge leaves: Black powder coated / chrome plated
SPECIALS	Non lift off



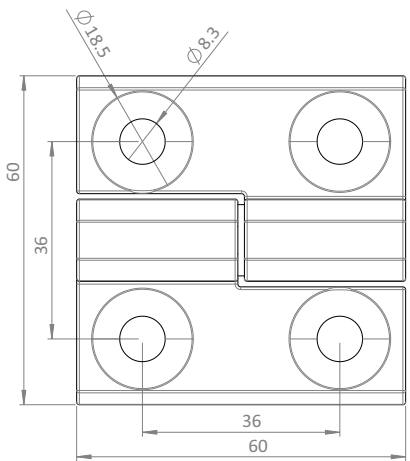
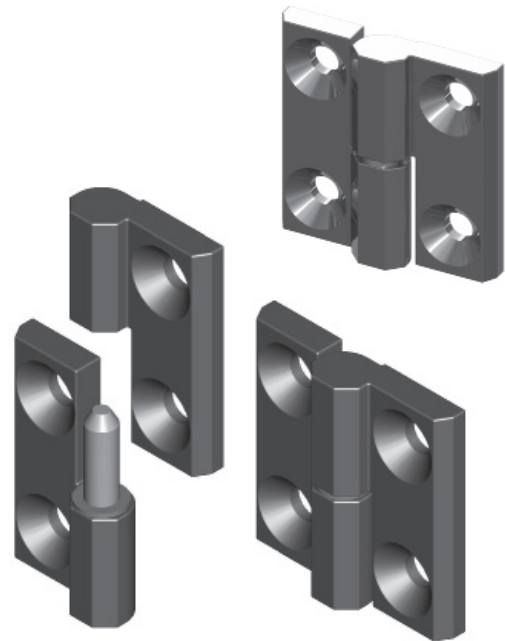
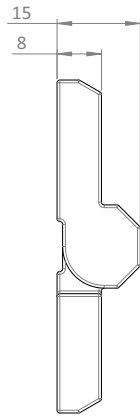
Version	Black Powder Coated	Chrome Plated	SS 316
Countersunk Screw M8	095009	095009S01	09576060E
Threaded M8 Studs	0830117	0830118	



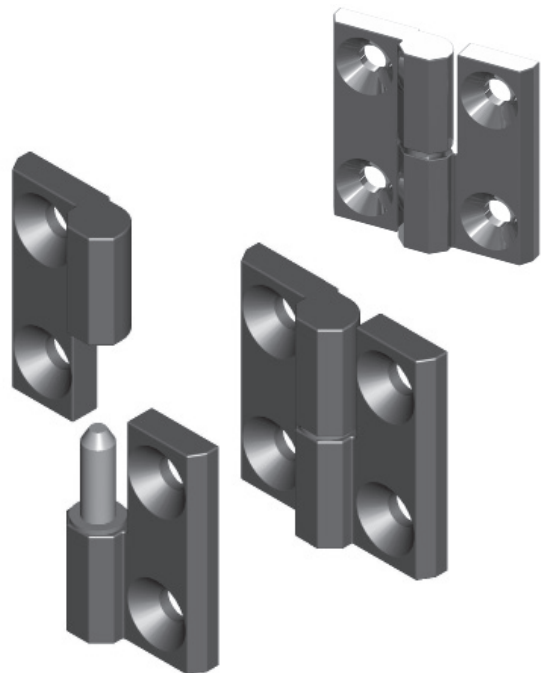
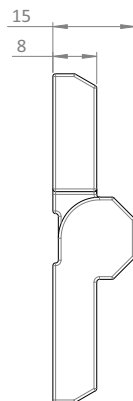
DESCRIPTION	To hinge panels
MATERIAL	Hinge leaves: Die-cast zinc Hinge pin: 304 SS
SURFACE	Hinge leaves: Black powder coat, Chrome Plated
HARDWARE	M6 or M8 Flat Head Screw



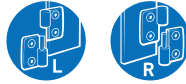
LEFT VERSION



RIGHT VERSION

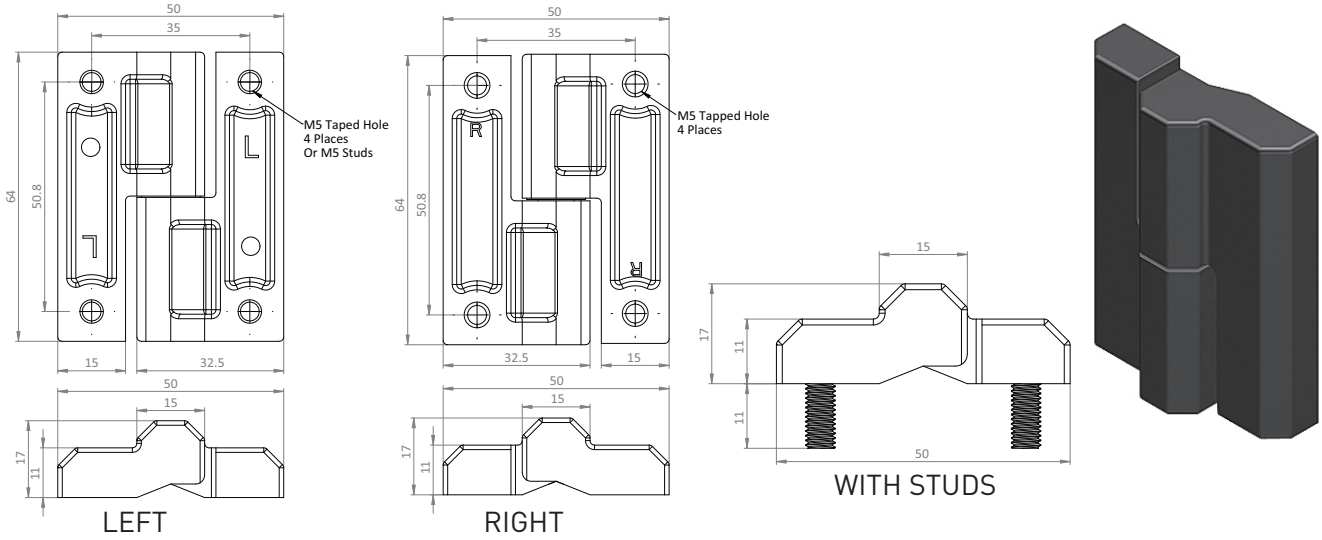


Version	Black Powder Coated	Chrome Plated
Left	0850274	0850274S01
Right	0850275	0850275S01

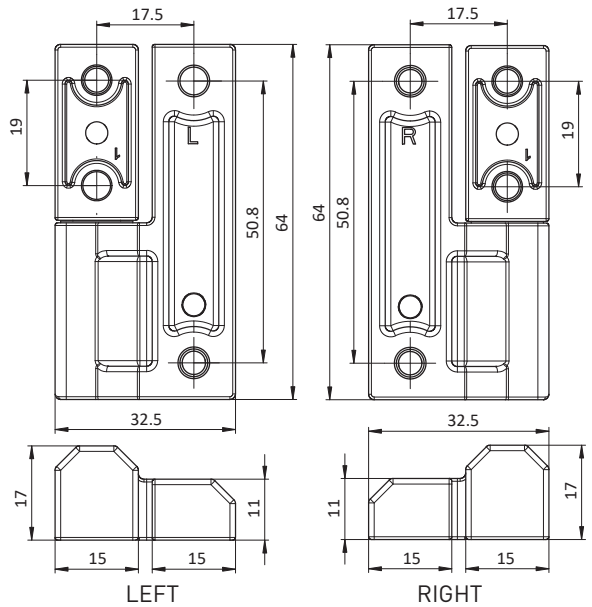


LIFT-OFF HINGES

DESCRIPTION	To hinge panels
MATERIAL	Hinge leaves: Die-cast zinc Hinge pin: 304 Stainless Steel Threaded Studs: 304 Stainless Steel
SURFACE	Hinge leaves: Black powder coated
SPECIALS	Lift off



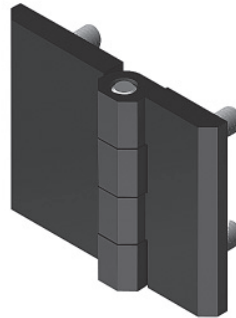
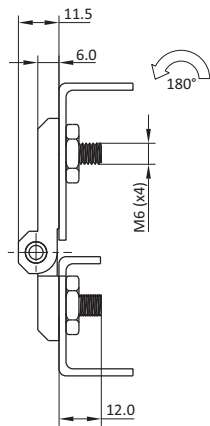
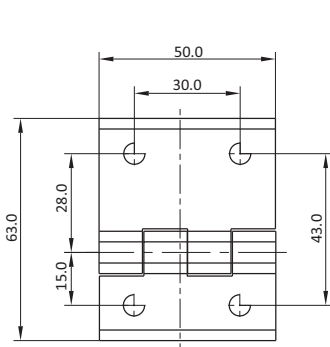
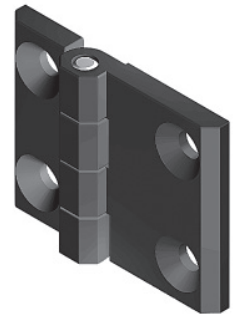
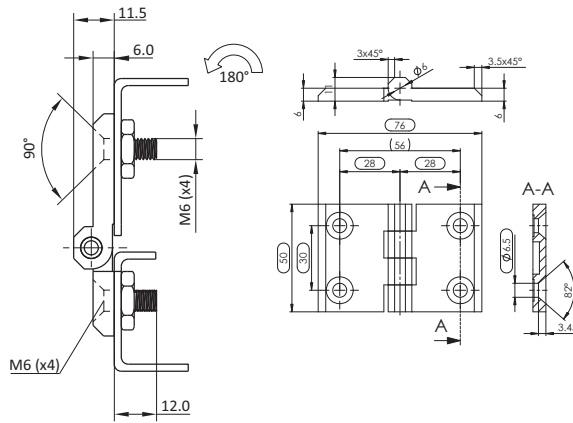
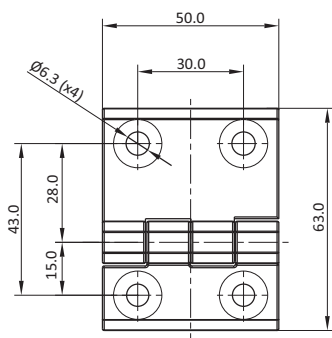
Version	Finish	Left Version	Right Version
With threaded hole M5, Includes Screws	Black Powder	0830012	0830013
With M5 Stud, 11mm Long	Black Powder	0830012S01	0830013S01



Version	Finish	Left Version	Right Version
With Threaded Hole M5	Chrome Plated	0830022S01	0830023S01
With Threaded Hole M5	Black Powder	0830022S02	0830023S02

SCREW-ON HINGES

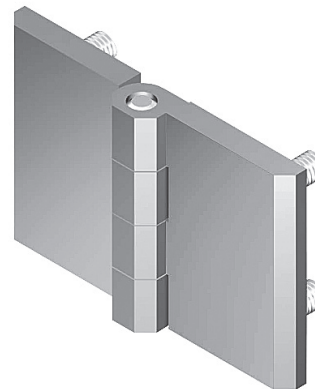
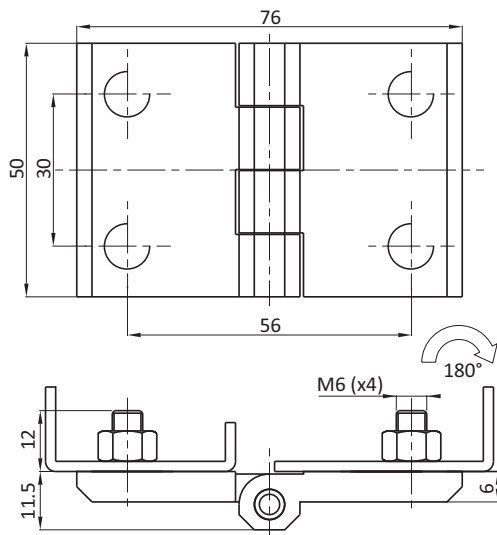
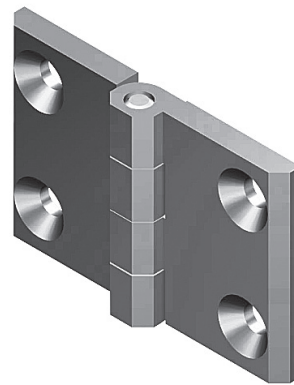
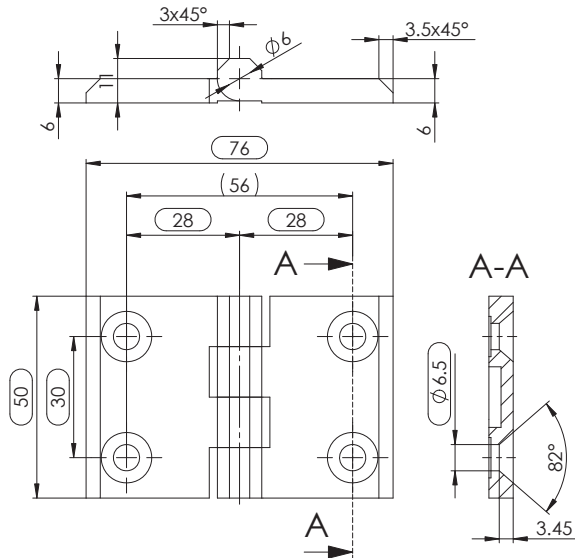
DESCRIPTION	To hinge panels
MATERIAL	Hinge leaves: Die-cast zinc Hinge pin: Mild steel
SURFACE	Hinge leaves: Black powder coated / chrome plated Hinge pin: 304 Stainless Steel
SPECIALS	Non lift off Left and right



Version	Black Powder Coated	Chrome Plated	SS 316
Countersunk Screw M6	095010	095010S01	0830003
Threaded M6 Studs	0813286	0813288	

SCREW-ON HINGES

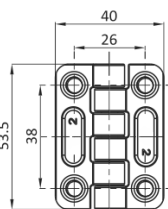
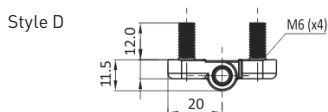
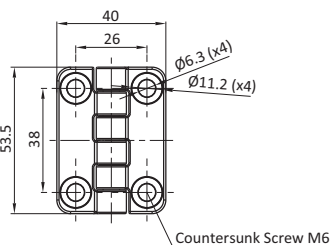
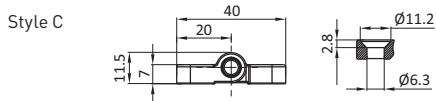
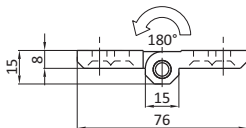
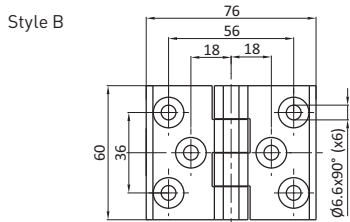
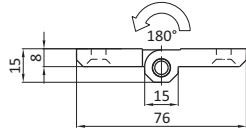
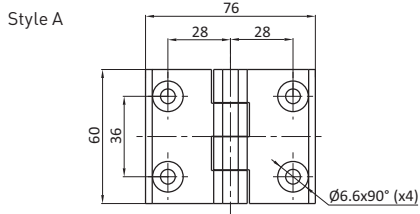
DESCRIPTION	To hinge panels
MATERIAL	Hinge leaves: Die-cast zinc and 304 SS Hinge pin: 304 Stainless Steel Threaded Studs: 304 Stainless Steel
SURFACE	Hinge leaves: Black powder coated / chrome plated
SPECIALS	Non lift off Left and right



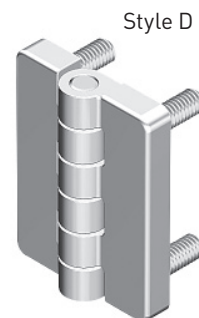
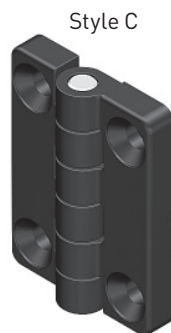
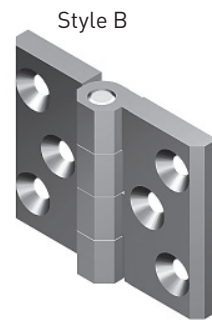
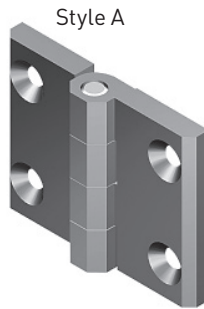
Version	Black Powder Coated	Chrome Plated	SS 316
Countersunk Screw M6	095007	095007S01	0830002
Threaded M6 Studs	095007SB	095007SBS01	



SCREW ON HINGES



DESCRIPTION	To hinge panels
MATERIAL	Hinge leaves: Die-cast zinc Hinge pin: Mild steel
SURFACE	Hinge leaves: Black powder coated / chrome plated Hinge pin: 304 Stainless Steel
SPECIALS	Non lift off

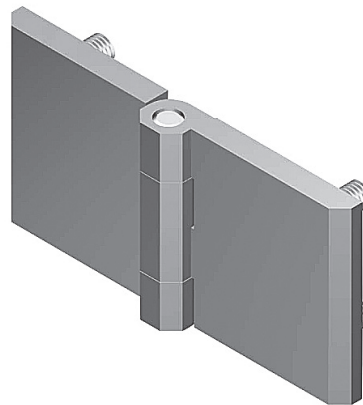
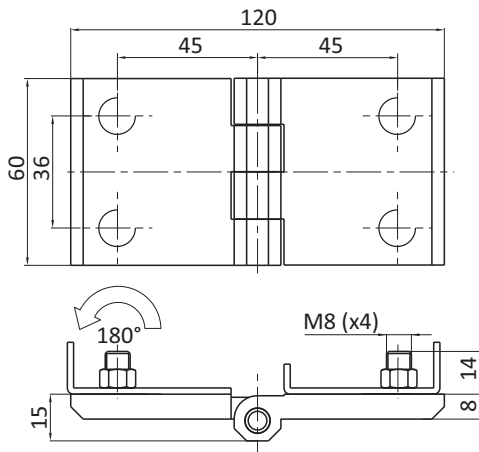
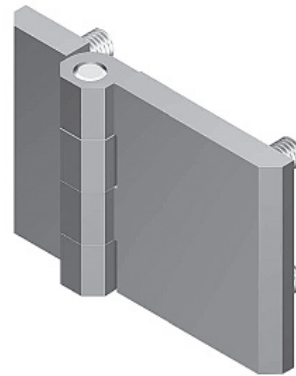
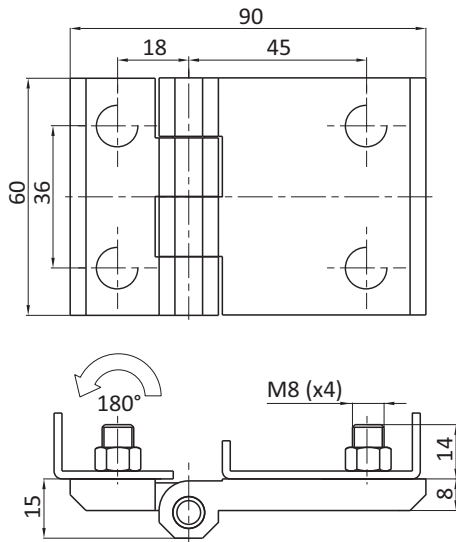


	Version	Black Powder Coated	Chrome Plated
Style A	4 M6 countersunk screw holes	0813303	0813307
Style B	6 M6 countersunk screw holes	095008	095008S01
Style C	4 M6 countersunk screw holes	0813305	0813309
Style D	4 M6 threaded studs	0813306	0813310



SCREW-ON HINGE

DESCRIPTION	To hinge panels
MATERIAL	Hinge leaves: Die-cast zinc Hinge pin: Mild steel
SURFACE	Hinge leaves: Black powder coated / chrome plated Hinge pin: 304 Stainless Steel
SPECIALS	Non lift off Left and right

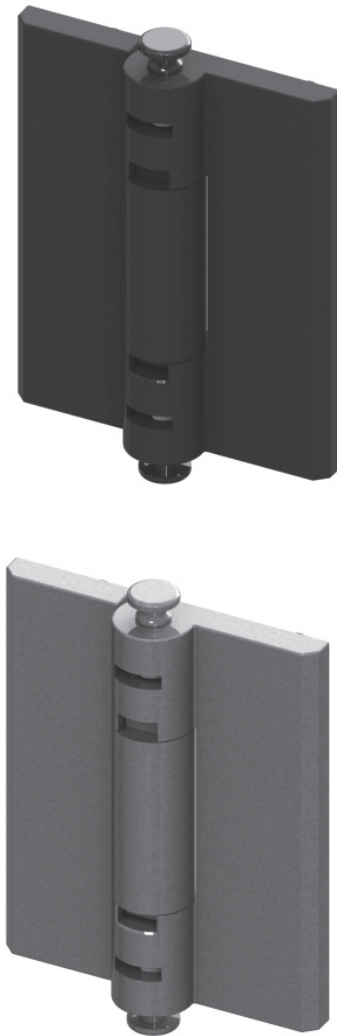
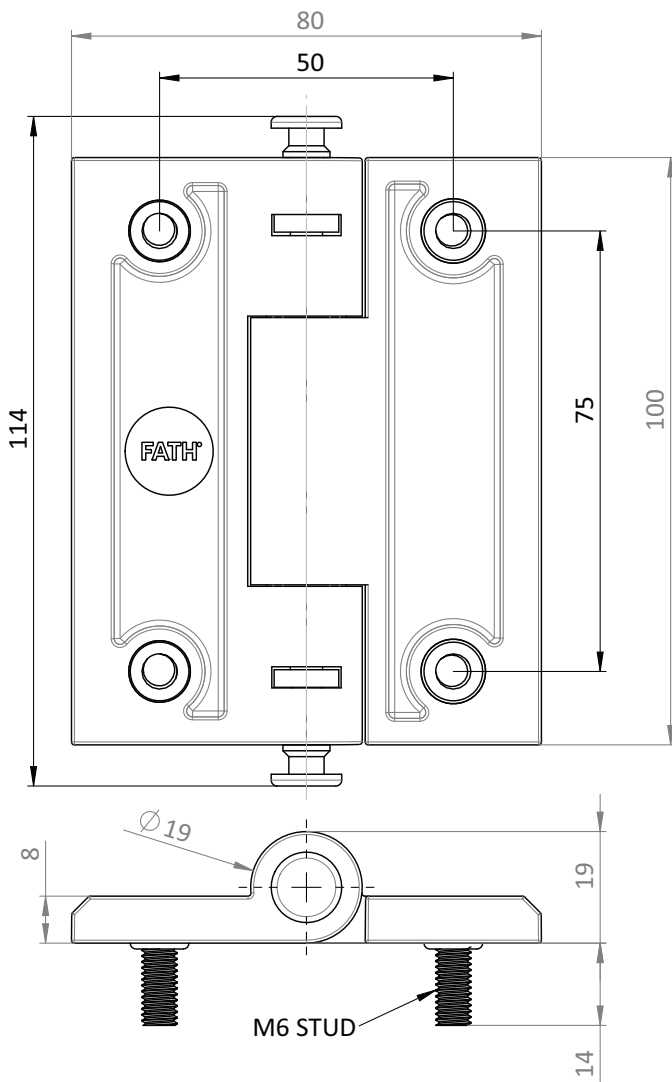


Screw on hinge	Length [mm]	Black Powder Coated	Chrome Plated
	90	0813299	0813301
	120	0813300	0813302



SCREW-ON HINGE

DESCRIPTION	To hinge panels
MATERIAL	Hinge leaves: Die Cast Zinc, 316 SS Hinge pin: 316 SS
SURFACE	Hinge leaves: Powder Coated Black Hinge pin: 304 Stainless Steel
SPECIALS	Lift off Left and right



Screw-On Hinge

Material

Part #

Die Cast Zinc

0850263

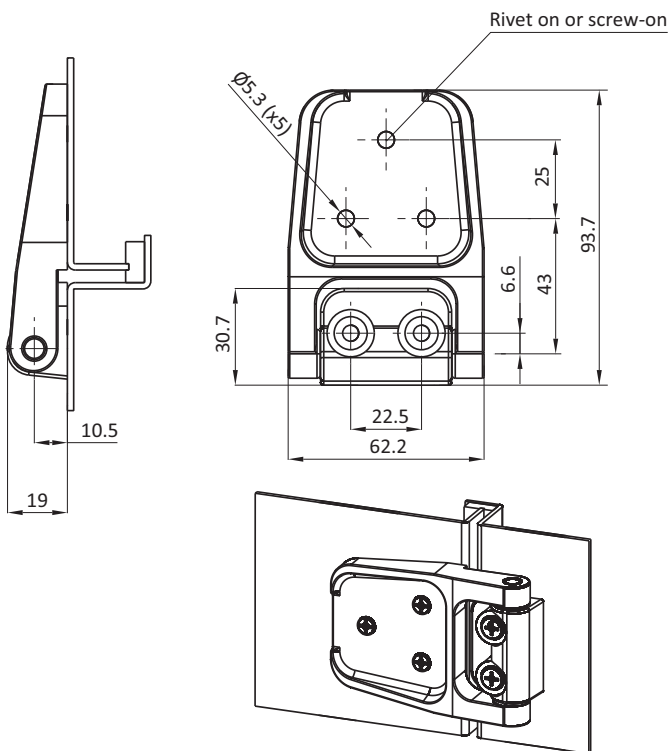
316 Stainless Steel

0850263E



SCREW-ON HINGE

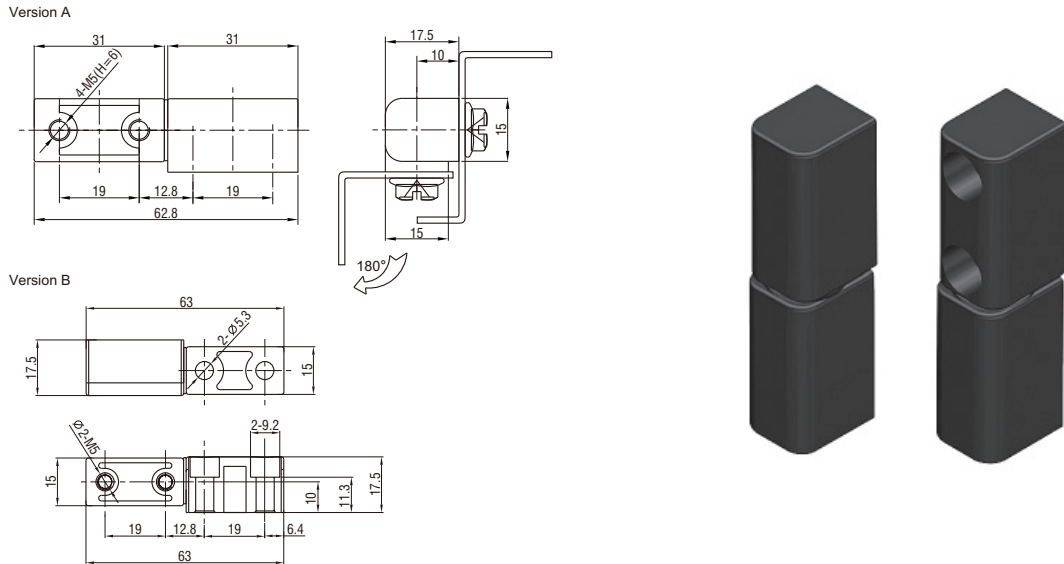
DESCRIPTION	To hinge panels
MATERIAL	Hinge leaves: Nylon PA, glass fiber reinforced Hinge pin: Mild steel
SURFACE	Hinge leaves: Black Hinge pin: 304 Stainless Steel
SPECIALS	Non lift off Left and right





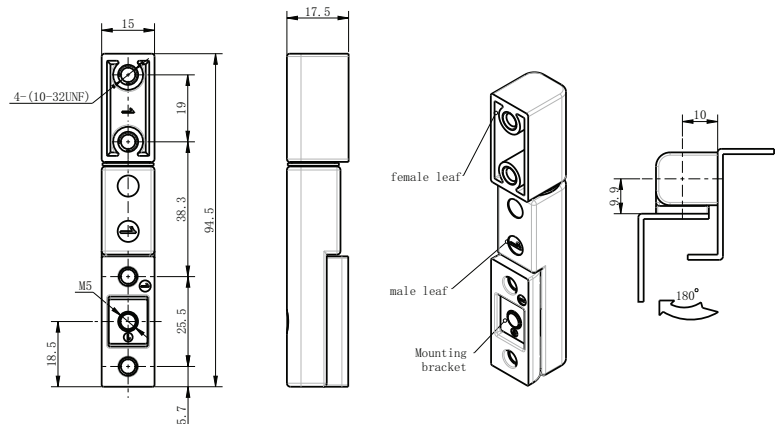
LIFT OFF HINGE

DESCRIPTION	To hinge panels
MATERIAL	Hinge leaves: Die-cast zinc Hinge pin: Mild steel
SURFACE	Hinge leaves: Black powder coated / chrome plated Hinge pin: 304 Stainless Steel
SPECIALS	lift off Left and right



Screw on hinge	Version	Black Powder Coated	Chrome Plated
	A	0830026	0830030
	B	0830027	0830031

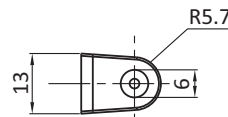
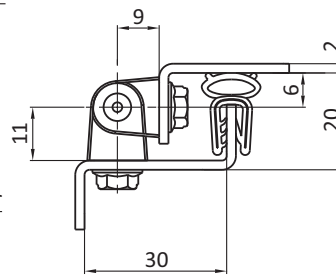
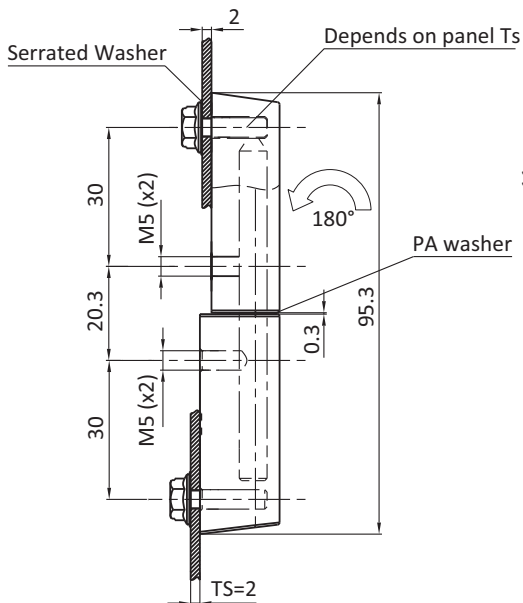
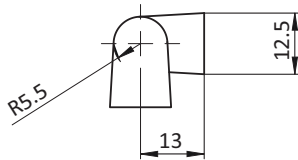
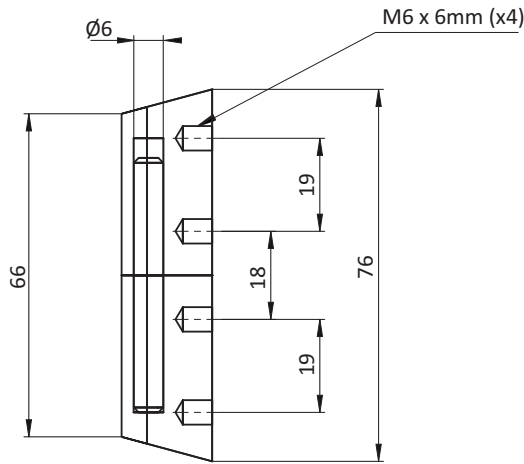
DESCRIPTION	To hinge panels
MATERIAL	Hinge leaves: Die-cast zinc Hinge pin: Mild steel
SURFACE	Hinge leaves: Black powder coated / chrome plated Hinge pin: 304 Stainless Steel
SPECIALS	lift off Left and right Adjustable compression



Screw on hinge	Black Powder Coated
	0830201

LIFT OFF HINGE

DESCRIPTION	To hinge panels
MATERIAL	Hinge leaves: Die-cast zinc, PA 6, 316 SS Hinge pin: Mild steel, SS
SURFACE	Hinge leaves: Black powder coated / chrome plated Hinge pin: 304 Stainless Steel
SPECIALS	lift off Left and right

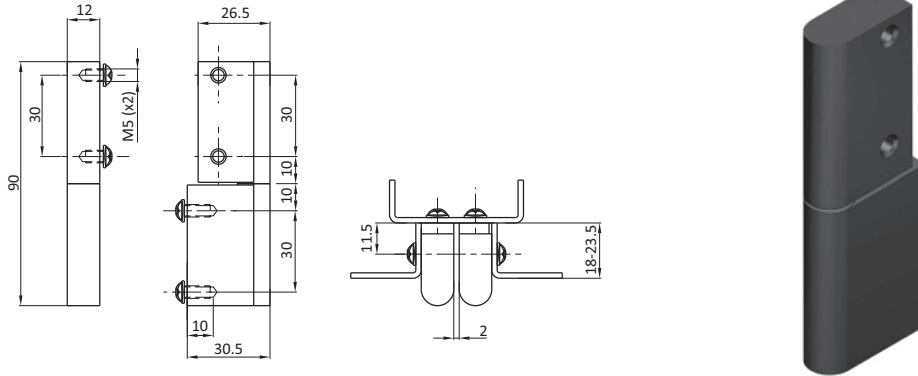


Screw on hinge	Length	PA 6	Black Powder Coated	Chrome Plated	316 Stainless Steel
	95	0830004	0830004S01	0830123	
	76				0830004S02



LIFT OFF HINGE

DESCRIPTION	To hinge panels
MATERIAL	Hinge leaves: Die-cast zinc Hinge pin: Mild steel
SURFACE	Hinge leaves: Black powder coated / chrome plated Hinge pin: 304 Stainless Steel
SPECIALS	Lift off Left and right



Screw-On Hinge

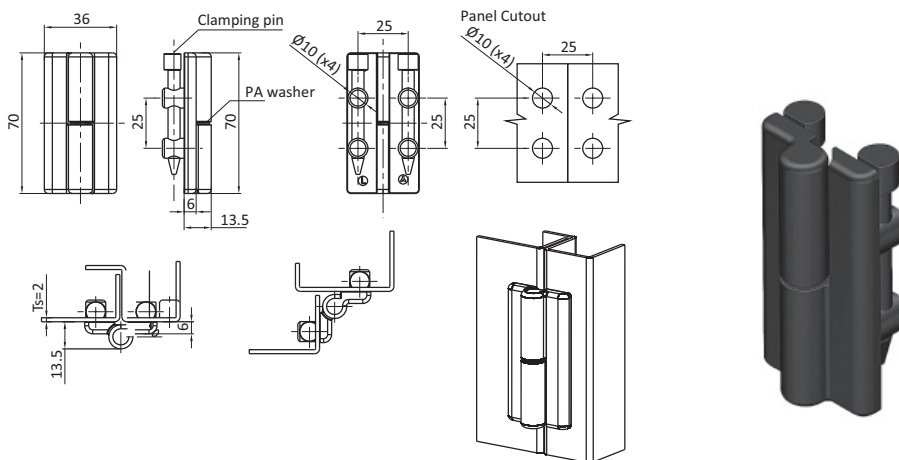
Black Powder Coated

Chrome Plated

0830047

0830048

DESCRIPTION	To hinge panels
MATERIAL	Hinge leaves: Die cast zinc Pin: SS Clamping pin: PA
SURFACE	Black powder coated
SPECIALS	Lift off, Tool-less installation Left and right



Screw-On Hinge

Left

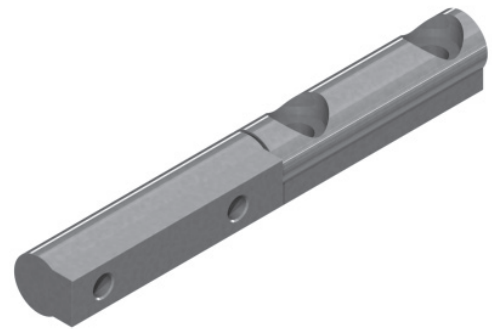
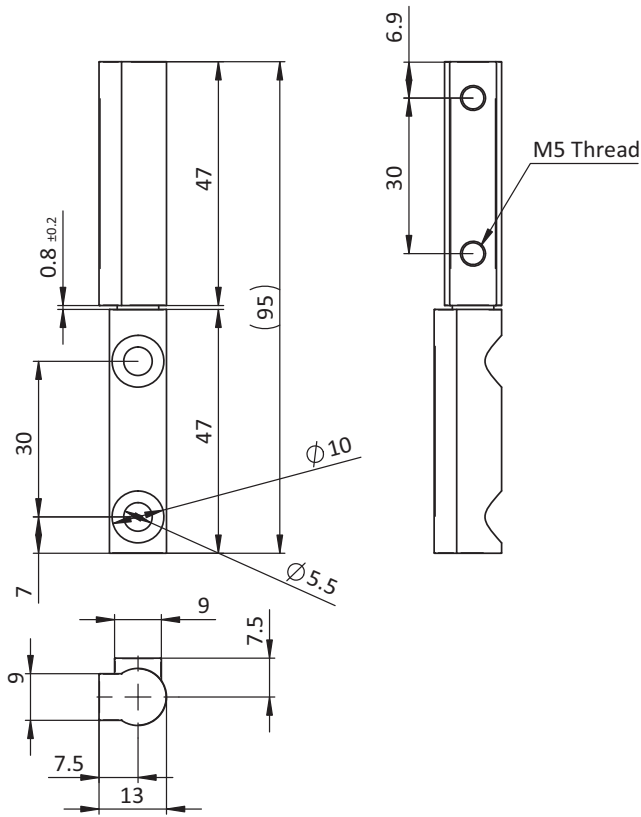
Right

0830012S02

0830013S02

LIFT OFF HINGES

DESCRIPTION	To hinge panels
MATERIAL	Hinge leaves: 304 Stainless Steel Pin: 304 Stainless Steel
SURFACE	Natural
SPECIALS	Lift off, Left and right



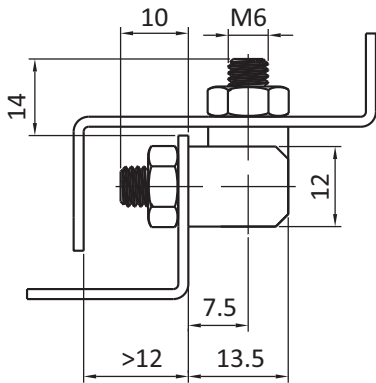
Screw-On Hinge

0840065

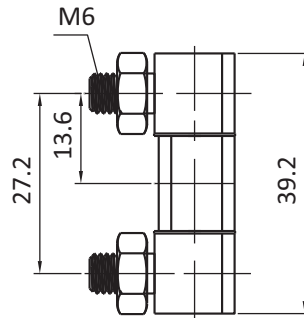
LIFT OFF HINGES

DESCRIPTION	To hinge panels
MATERIAL	Mild steel / stainless steel
COLOR	Zinc plated / plain
SPECIALS	Left and right

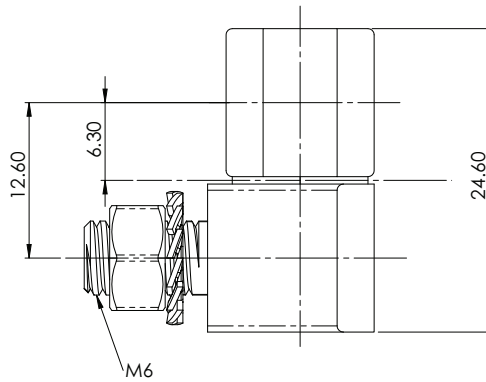
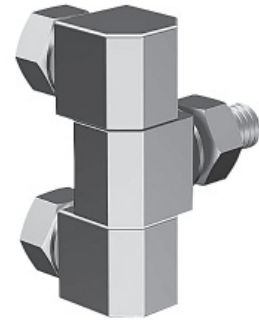
Small Size



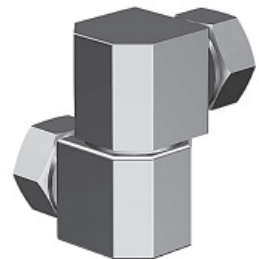
Typical Top View



Three Joints



Two Joints

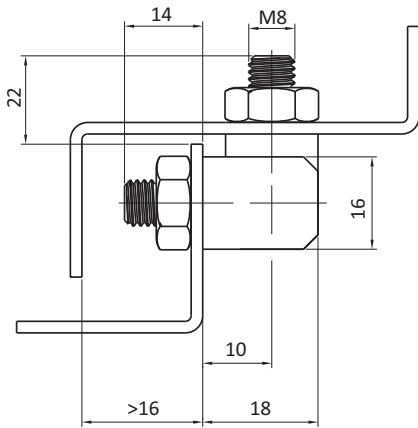


Screw on Hinges	Mild Steel	Stainless Steel
Two Joints	0830053	0830051
Three Joints	0830054	0830052

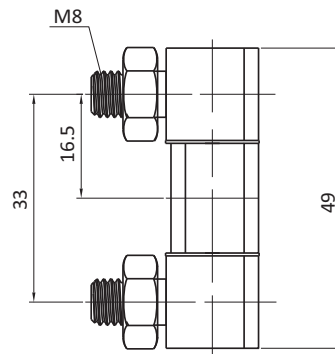
SCREW-ON HINGE

DESCRIPTION	To hinge panels
MATERIAL	Mild steel / stainless steel
COLOR	Zinc plated / plain
SPECIALS	Left and right

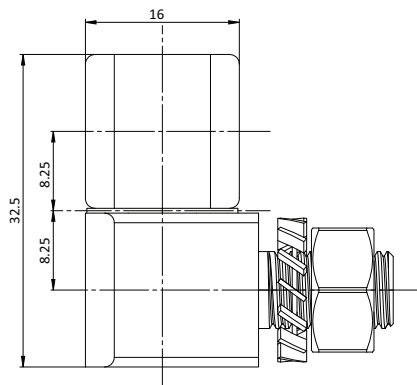
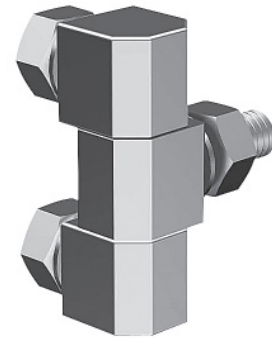
Large Size



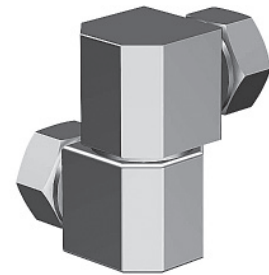
Typical Top View



Three Joints



Two Joints



Screw on Hinges

Mild Steel

Stainless Steel

Two Joints

0830057

0830055

Three Joints

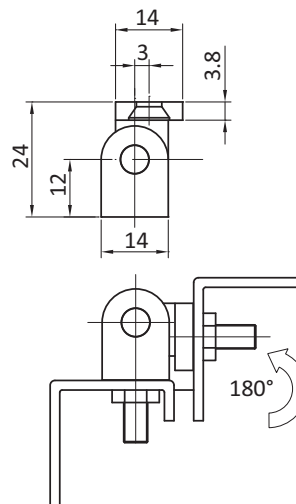
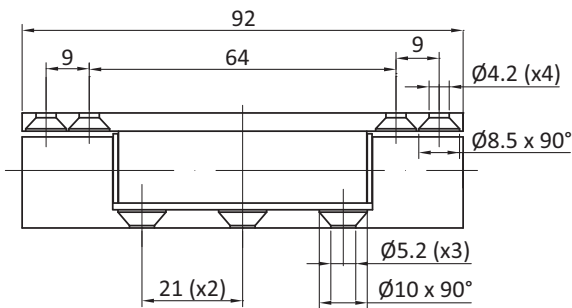
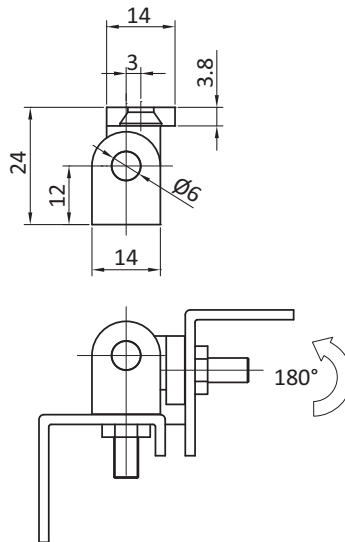
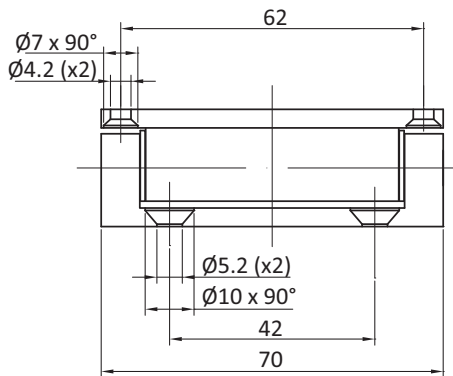
0830058

0830056



SCREW ON HINGES

DESCRIPTION	To hinge panels
MATERIAL	Hinge leaves: Die-cast zinc Hinge pin: Mild steel
SURFACE	Hinge leaves: Black powder coated / chrome plated Hinge pin: Zinc plated
SPECIALS	Non lift off

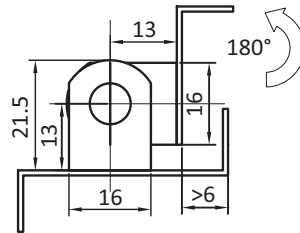
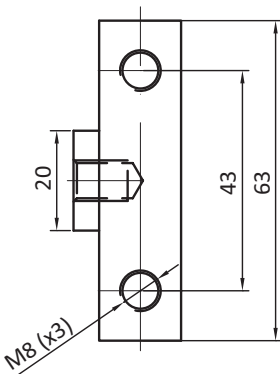
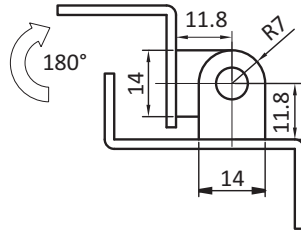
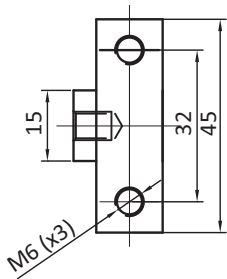


Hinges	Length [mm]	Black Powder Coated	Chrome Plated
62		0830109	0830111
92		0830110	0830112



SCREW ON HINGES

DESCRIPTION	To hinge panels
MATERIAL	Hinge leaves: Die-cast zinc Hinge pin: Mild steel
SURFACE	Hinge leaves: Black powder coated / chrome plated Hinge pin: 304 Stainless Steel
SPECIALS	Non lift off

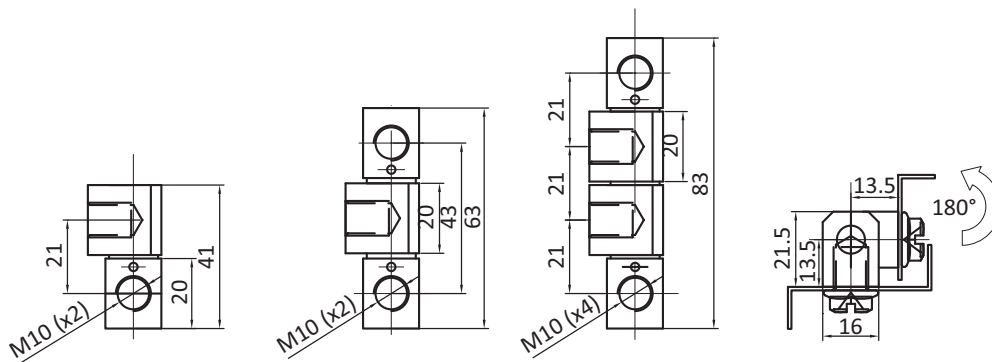


Hinge	Length [mm]	Black Powder Coated	Chrome Plated
45		0830090	0830092
63		0830091	0890093



SCREW ON HINGES

DESCRIPTION	To hinge panels
MATERIAL	Hinge leaves: Die-cast zinc Hinge pin: Mild steel
SURFACE	Hinge leaves: Black powder coated / chrome plated Hinge pin: 304 Stainless Steel
SPECIALS	Non lift off

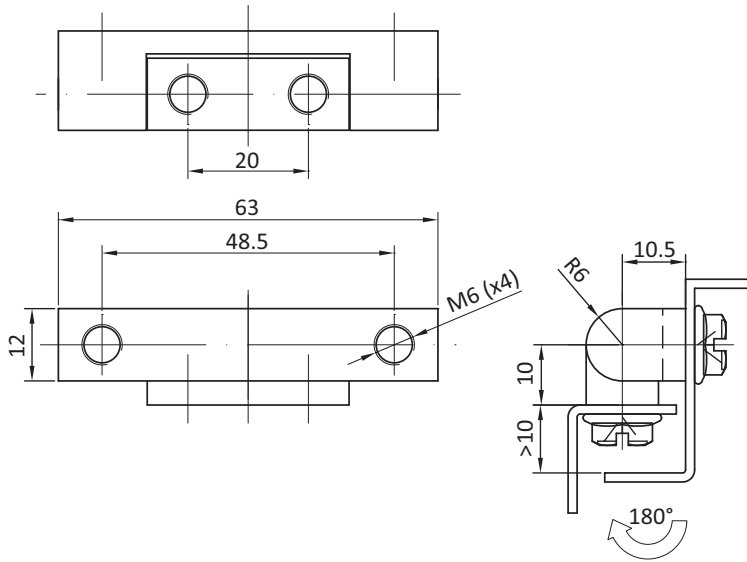


Hinges	Length [mm]	Black Powder Coated	Chrome Plated
41		0830094	0830097
63		0830095	0830098
83		0830096	0830099



SCREW ON HINGES

DESCRIPTION	To hinge panels
MATERIAL	Hinge leaves: Die-cast zinc Hinge pin: Mild steel
SURFACE	Hinge leaves: Black powder coated / chrome plated Hinge pin: 304 Stainless Steel
SPECIALS	Non lift off



Hinges

Black Powder Coated

Chrome Plated

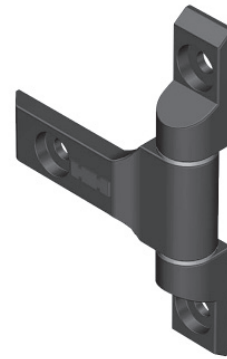
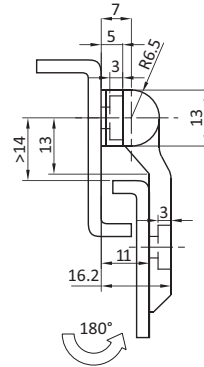
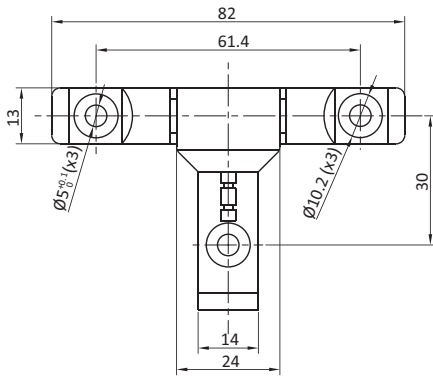
0830078

0830077



SCREW-ON HINGES

DESCRIPTION	To hinge panels
MATERIAL	Hinge leaves: Die-cast zinc Hinge pin and mounting pin: Mild steel
SURFACE	Hinge leaves: Black powder coated

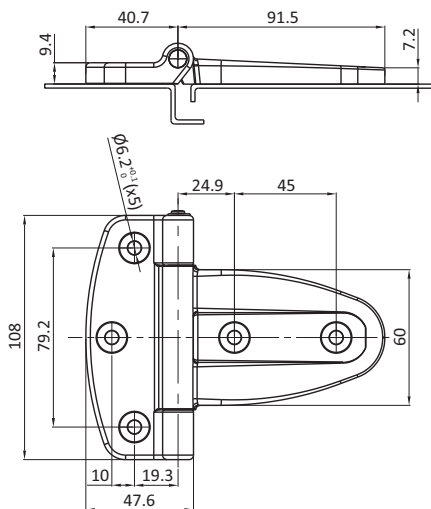


Black Powder Coated

0830080

SCREW-ON HINGE

DESCRIPTION	To hinge panels
MATERIAL	Hinge leaves: Die cast zinc Pin: SS
SURFACE	Hinge leaves: Black
SPECIALS	Non lift off Left and right



Screw-On Hinge

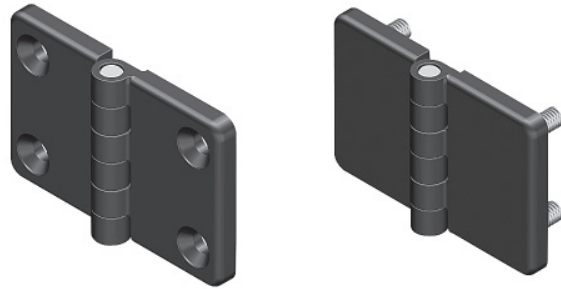
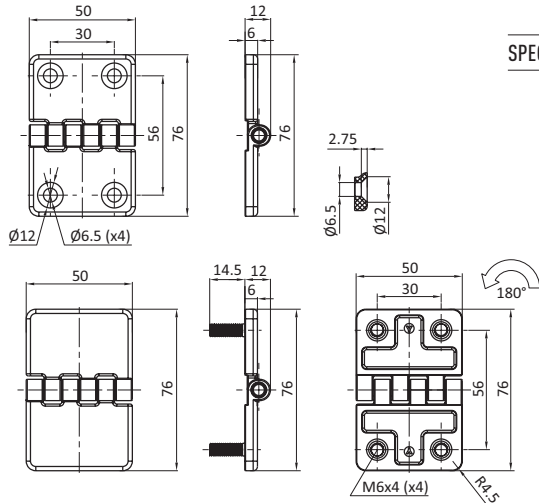
Part #

0813317



SCREW-ON HINGES

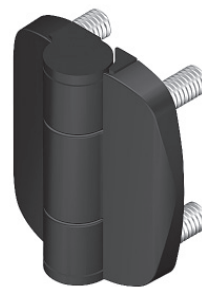
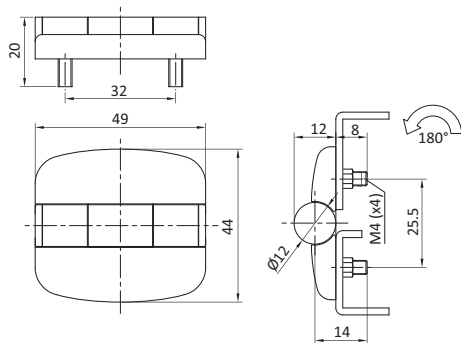
DESCRIPTION	To hinge panels
MATERIAL	Hinge leaves: Die-cast zinc Hinge pin: Mild steel
SURFACE	Hinge leaves: Black powder coated / chrome plated Hinge pin: Zinc plated
SPECIALS	Non lift off



Version	Black Powder Coated	Chrome Plated
4 M6 countersunk screw holes	0830180	0830181
4 M6 threaded studs	0830119	0830120

SCREW-ON HINGE

DESCRIPTION	To hinge panels
MATERIAL	Nylon
COLOR	Black
SPECIALS	Non lift off Left and right

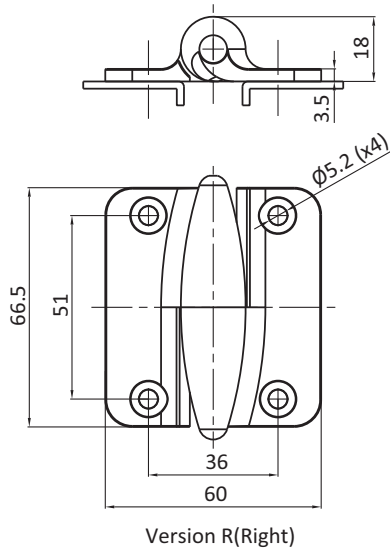
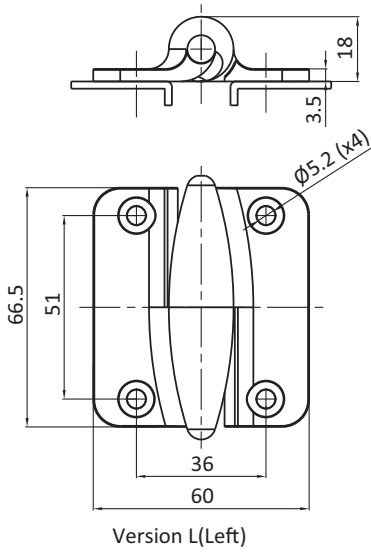


Screw-On Hinge	Free swinging
120 and 170 Degree Detent with 1.1NM Position Torque	095074
	095074S01



SCREW-ON HINGE

DESCRIPTION	To hinge panels
MATERIAL	Hinge leaves: Die cast zinc Pin: SS
SURFACE	Black powder coated / chrome plated
SPECIALS	Lift off Left and right



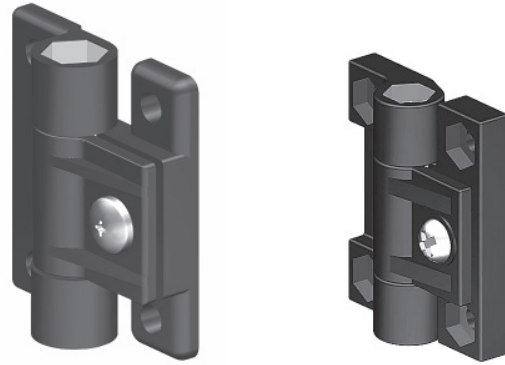
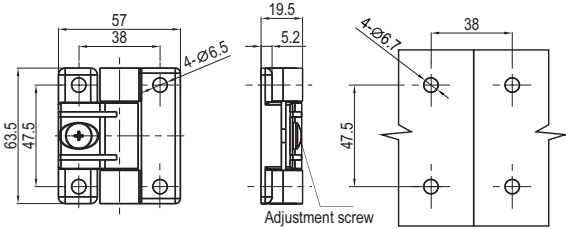
Screw-On Hinge	Left	Right
Black powder coat	0813313	0813314
Chrome plate	0813315	0813316



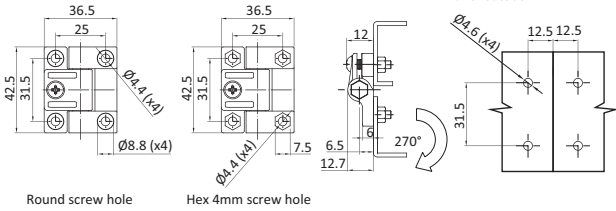
FRICTION HINGES

DESCRIPTION	To hinge panels
MATERIAL	Hinge leaves: Acetal Hinge pin: Polycarbonate
COLOR	Hinge leaves: Black and white
SPECIALS	Life: Within 20 Percent of stated torque after 25,000 cycles

Large Size



Small Size



Round screw hole

Hex 4mm screw hole

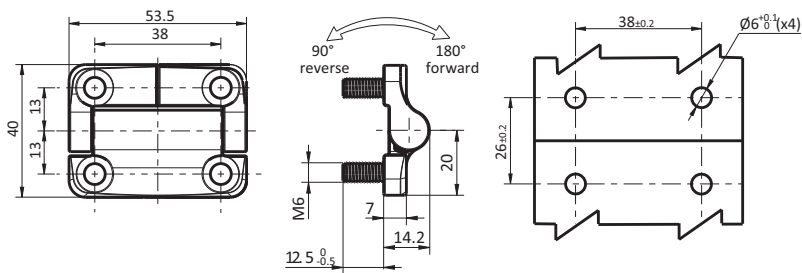
Black

White

	Round screw hole	Hex 4mm screw hole	Round screw hole	Hex 4mm screw hole
Small version	0813290	0830015	0813292	0813293
Large version	0830184			

DESCRIPTION	To hinge panels
MATERIAL	Hinge leaves: Die cast Zinc
SURFACE	Black powder coated
SPECIALS	Life: Within 20 Percent of stated torque after 25,000 cycles

Panel cutout

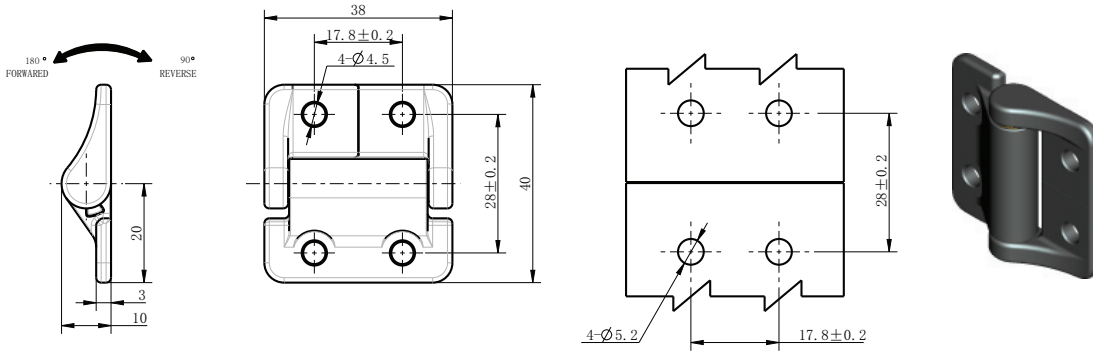


Metal Hinge with Constant Friction	Torque to open Nm(INLB)	Torque to close Nm(INLB)	Part #
Symetric Torque	1.2 (10.6)	1.2 (10.6)	0850125
	1.8 (16.0)	1.8 (16.0)	0850126
	2.3 (20.4)	2.3 (20.4)	0850127
	3.4 (30.1)	3.4 (30.1)	0850128
	4.5 (39.8)	4.5 (39.8)	0850129
Asymetric Torque	2.3 (20.4)	1.4 (12.4)	0850130
	3.4 (30.1)	2.0 (17.7)	0850131
	4.5 (39.8)	2.7 (23.9)	0850132
	1.4 (12.4)	2.3 (20.4)	0850133
	2.0 (17.7)	3.4 (30.1)	0850134
	2.7 (23.9)	4.5 (39.8)	0850135

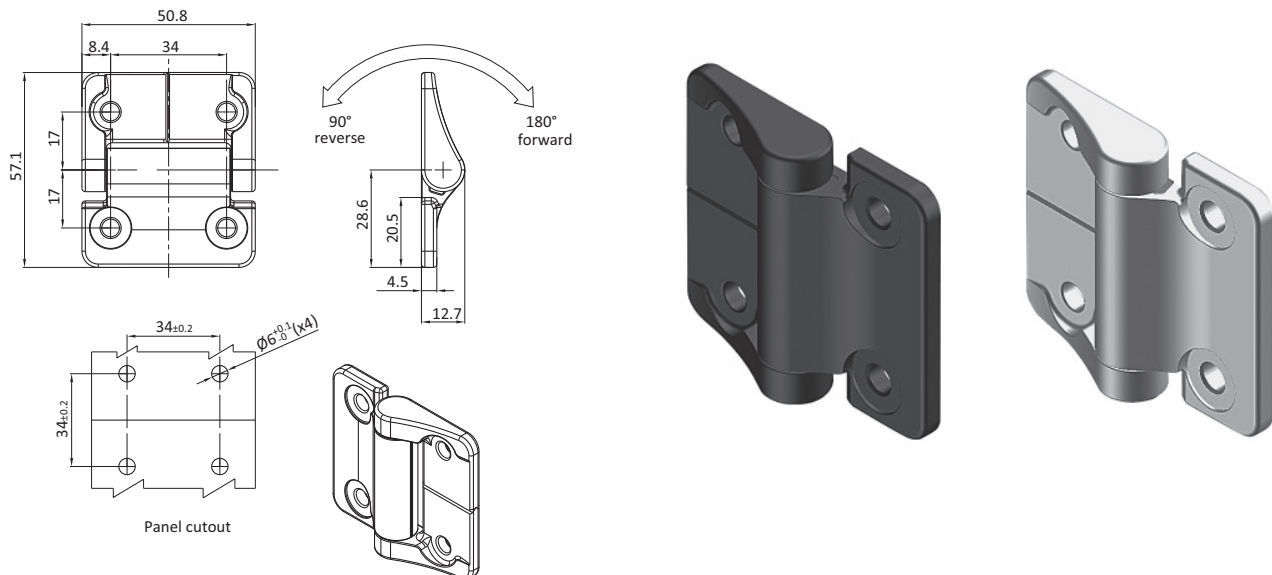


FRICTION HINGES

DESCRIPTION	To hinge panels
MATERIAL	Hinge leaves: Die cast zinc Pin: SS
SURFACE	Black powder coated / chrome plated
SPECIALS	Life: Within 20 percent of stated torque after 25,000 cycles



Screw-On Torque Hinge	Forward Nm(INLB)	Reverse Nm(INLB)	Black Powder Coat	316 Stainless Steel
Free Operating			0850225	
Symetric Torque	0.9 (8.0)	0.9 (8.0)	0850226	0850226E
	1.4 (12.4)	1.4 (12.4)	0850227	0850227E
	1.8 (16.0)	1.8 (16.0)	0850228	0850228E
Asymetric Torque	2.3 (20.4)	2.3 (20.4)	0850229	0850229E
	1.4(12.0)	0.8(7.2)		0813576E
	1.8(16.0)	1.1(9.6)		0813577E
	2.3(20.0)	1.4(12.0)		0813578E
	0.8(7.2)	1.4(12.0)		0813579E
	1.1(9.6)	1.8(16.0)		0813580E
	1.4(12.0)	2.3(20.0)		0813581E

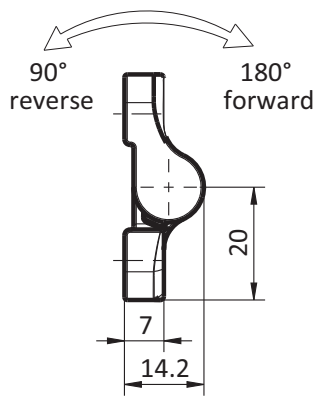
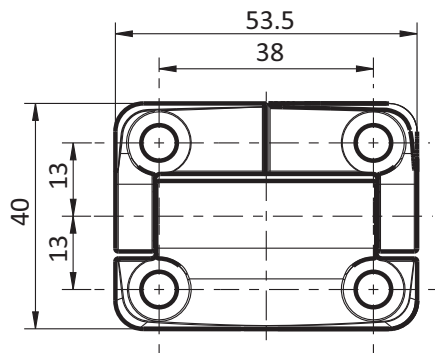


Screw-On Torque Hinge	Forward Nm(INLB)	Reverse Nm(INLB)	Black Powder Coat	Natural
Symetric Torque	1.8 (16.0)	1.8 (16.0)	0813326	0813327
	2.3 (20.4)	2.3 (20.4)	0813328	0813329
	3.4 (30.1)	3.4 (30.1)	0813281	0813282
Asymetric Torque	2.3 (20.4)	1.4 (12.4)	0813330	
	3.4 (30.1)	2.0 (17.7)	0813332	
	4.5 (39.8)	2.7 (23.9)	0813334	
	1.4 (12.4)	2.3 (20.4)	0813336	
	2.7 (23.9)	4.5 (39.8)	0813340	

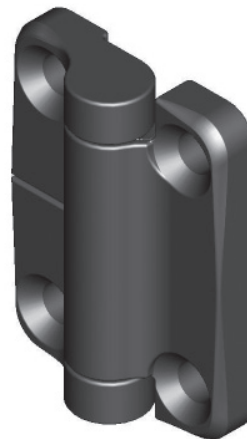
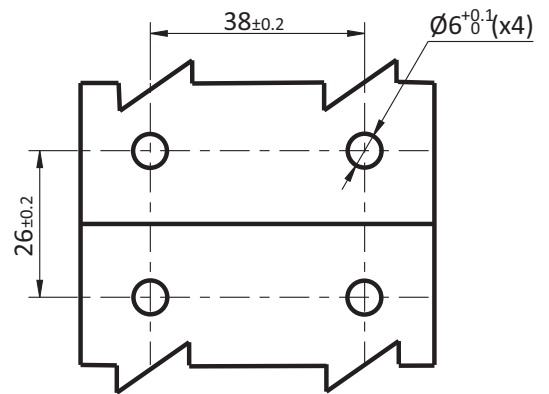


FRICTION HINGES

DESCRIPTION	To hinge panels
MATERIAL	Hinge leaves: Die cast zinc Pin: SS
SURFACE	Black powder coated
SPECIALS	Life: Within 20 percent of stated torque after 25,000 cycles



Panel cutout

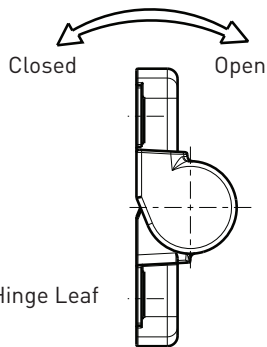
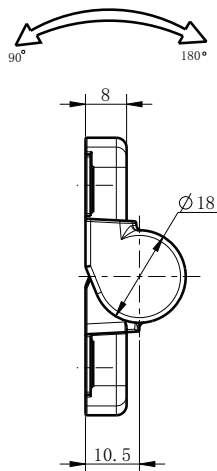
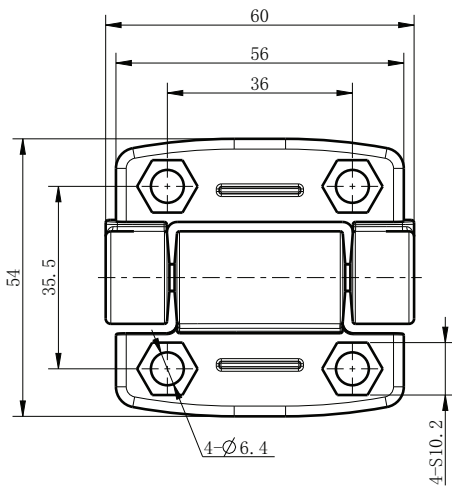


Screw-On Torque Hinge	Torque to open Nm(INLB)	Torque to close Nm(INLB)	Black Powder Coat
Symetric Torque	1.2 (10.6)	1.2 (10.6)	0850114
	1.8 (16.0)	1.8 (16.0)	0850115
	2.3 (20.4)	2.3 (20.4)	0850116
	3.4 (30.1)	3.4 (30.1)	0850117
	4.5 (39.8)	4.5 (39.8)	0850118
Asymetric Torque	2.3 (20.4)	1.4 (12.4)	0850119
	3.4 (30.1)	2.0 (17.7)	0850120
	4.5 (39.8)	2.7 (23.9)	0850121
	1.4 (12.4)	2.3 (20.4)	0850122
	2.0 (17.7)	3.4 (30.1)	0850123
	2.7 (23.9)	4.5 (39.8)	0850124

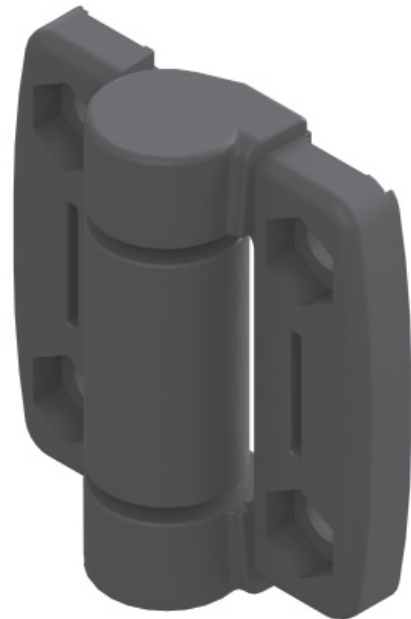


FRICITION HINGES

DESCRIPTION	To hinge panels
MATERIAL	PA 6 Pin Steel
SURFACE	Black
SPECIALS	Life: Within 20 percent of stated torque after 25,000 cycles



Cover Caps sold separetely
 Part # 095SA30
 Quantity 2 required

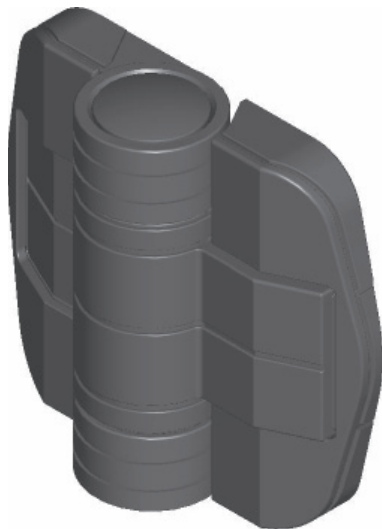
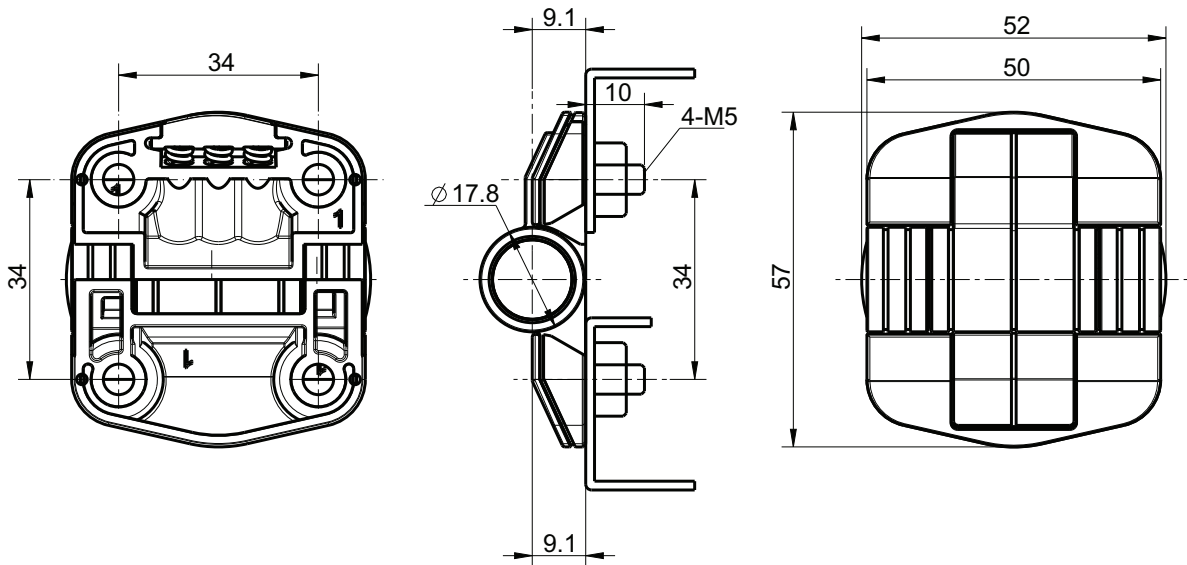


Screw-On Torque Hinge		Torque to open Nm(INLB)	Torque to close Nm(INLB)	Black Powder Coat
	Reverse	2.3 [20.4]	0.3 [2.7]	095SUR3030A00
	Forward	0.3 [2.7]	2.3 [20.4]	095SUF3030A00



FRICION/DETENT HINGES

DESCRIPTION	To hinge panels
MATERIAL	Nylon Hinge Leaves and Covers
SURFACE	Black
SPECIALS	Life: Within 20 percent of stated torque after 25,000 cycles

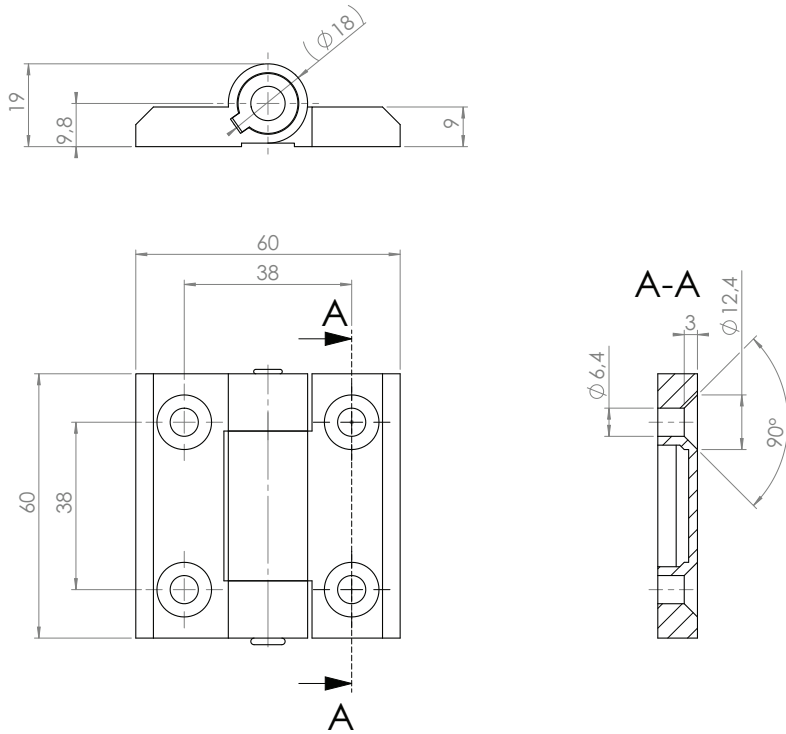


Detented Open Angle	Torque to open Nm(IN.LB)	Black Powder Coat
80 Degrees	0.7 (6.2)	0830189
	1.1 (9.7)	0830190
	1.7 (15.1)	0830191
115 Degrees	0.7 (6.2)	0830192
	1.1 (9.7)	0830193
	1.7 (15.1)	0830194
150 Degrees	0.7 (6.2)	0830195
	1.1 (9.7)	0830196
	1.7 (15.1)	0830197
No Detent		0830198



DETENT HINGES

DESCRIPTION	To hinge panels
MATERIAL	Leafs: Die cast zinc Pin Steel
SURFACE	Black powder coated

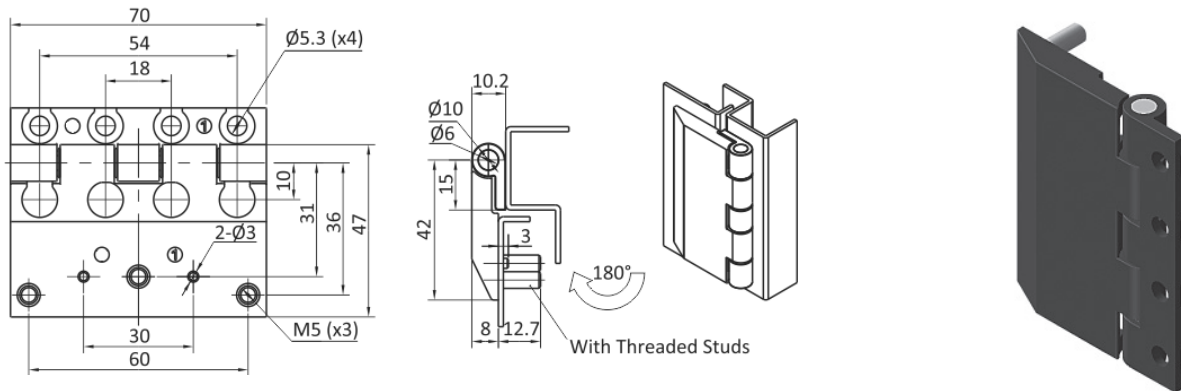


F _{Amax} [N]	F _{Rmax} [N]	Camming Torque* [Nm]	Weight [g]	Part #
1000	1800	1.1 +/- 20%	140	095009F



SCREW-ON HINGE

DESCRIPTION	To hinge panels
MATERIAL	Hinge: Die cast zinc Pin: SS
SURFACE	Black powder coated / Matte silver spray painted
SPECIALS	Non lift off Left and right



Screw-On Hinge

Black Powder Coated

MN Spray Painted (Matte silver)

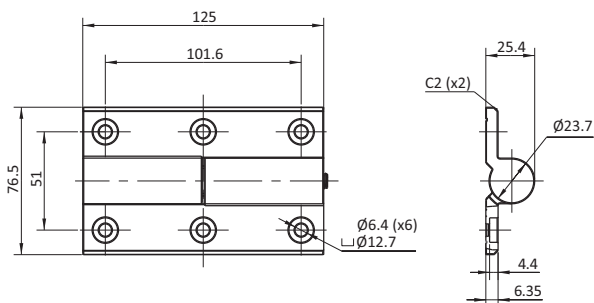
with M5 threaded stud

0813349

0813350

SCREW-ON HINGE

DESCRIPTION	To hinge panels
MATERIAL	Hinge: Die cast zinc Pin: SS
SURFACE	Black powder coated / RAL7005 powder coated
SPECIALS	Non lift off Left and right



Adjustment screw for vertical door adjustment



Screw-On Hinge

Black Powder Coated

MN Spray Painted (Matte silver)

left

095401LS01

095401L

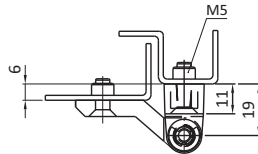
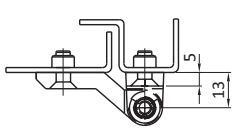
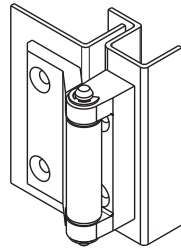
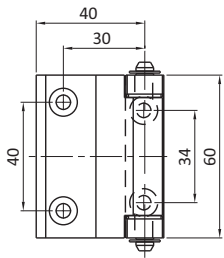
right

095401RS01

095401R

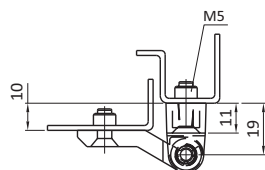
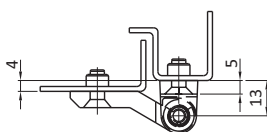
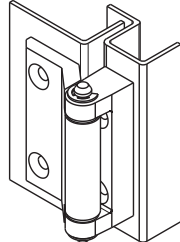
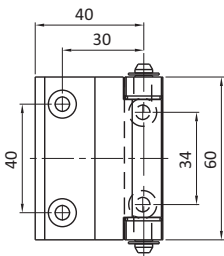
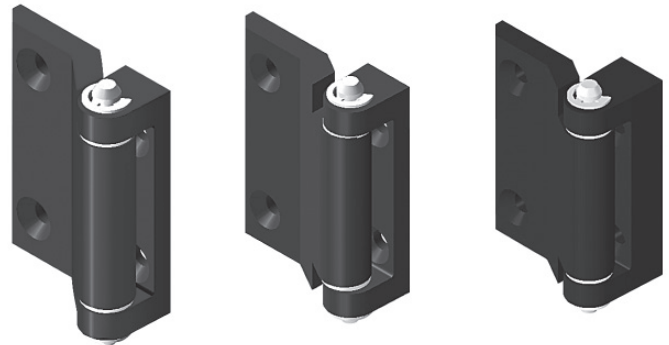
SCREW-ON HINGES

DESCRIPTION	To hinge panels
MATERIAL	Hinge: Die-cast zinc Pin: Mild steel
SURFACE	Black powder coated / chrome plated
SPECIALS	Non lift off Left and right



Standard

Height: 6mm higher



Height: 4mm higher

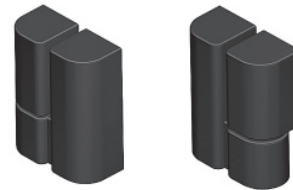
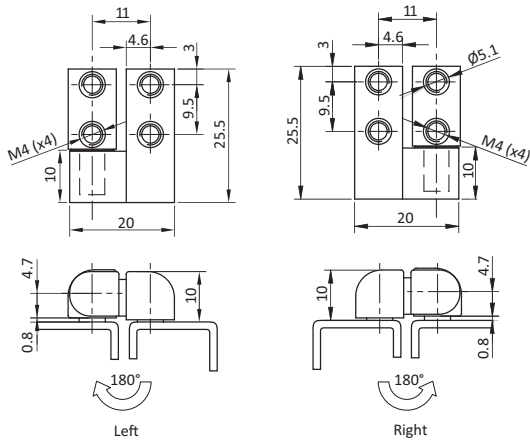
Height: 10mm higher

Version	Black Powder Coated	Chrome Plated	SS 316
Standard	0813352	0813354	0813356
6mm higher	0813353	0813355	
4mm higher	0813357	0813359	
10mm higher	0813358	0813360	



SCREW-ON HINGES

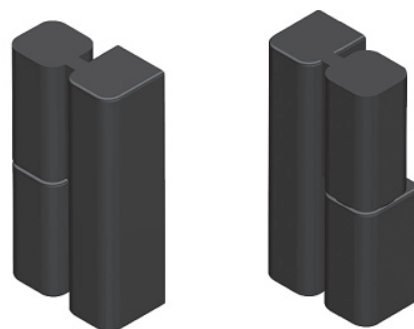
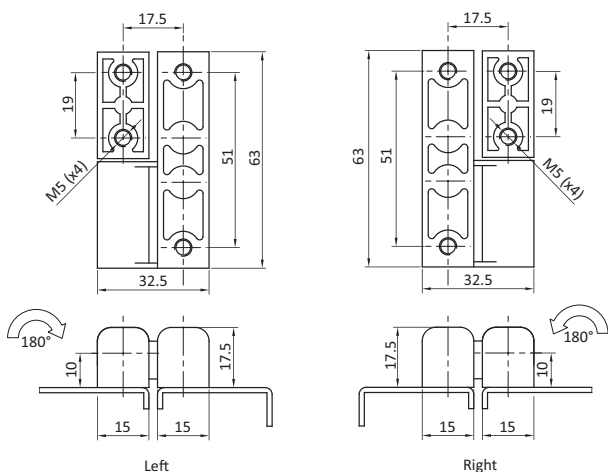
DESCRIPTION	To hinge panels
MATERIAL	Hinge: Die cast zinc
SURFACE	Black powder coated
SPECIALS	Lift off Left and right



Screw-On Hinge	Left	Right
M4 Screw Hole	0830016	0830017
#6-32 Screw Hole	0813361	0813362

SCREW-ON HINGES

DESCRIPTION	To hinge panels
MATERIAL	Hinge: Die cast zinc
SURFACE	Black powder coated / chrome plated
SPECIALS	Lift off Left and right

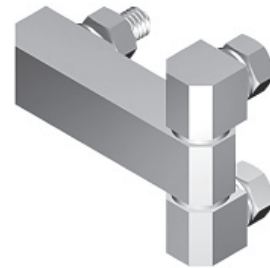
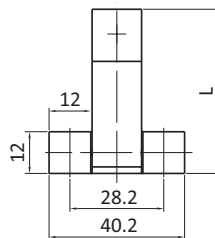
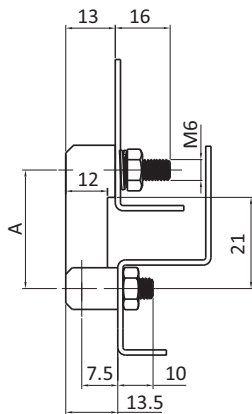


Screw-On Hinge	Left Hand	Right Hand
Black Powder coated with M5 Thread	0830018	0830019
Black Powder Coated with #10-32 Mtg Thd	0830020	0830019S01
Chrome plated with M5 Thread	0830022	0830023

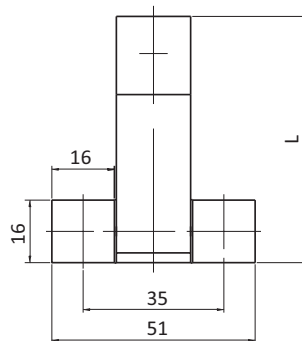
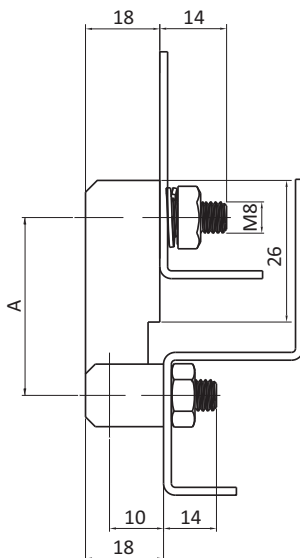
HEAVY DUTY SCREW-ON HINGES

DESCRIPTION	To hinge panels
MATERIAL	304 SS / Mild steel
SURFACE	Zinc plated
SPECIALS	Non lift off Left and right

Small Size



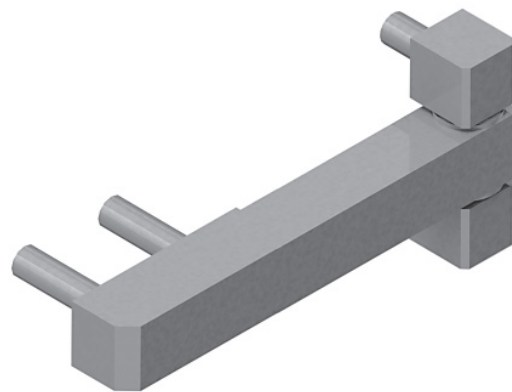
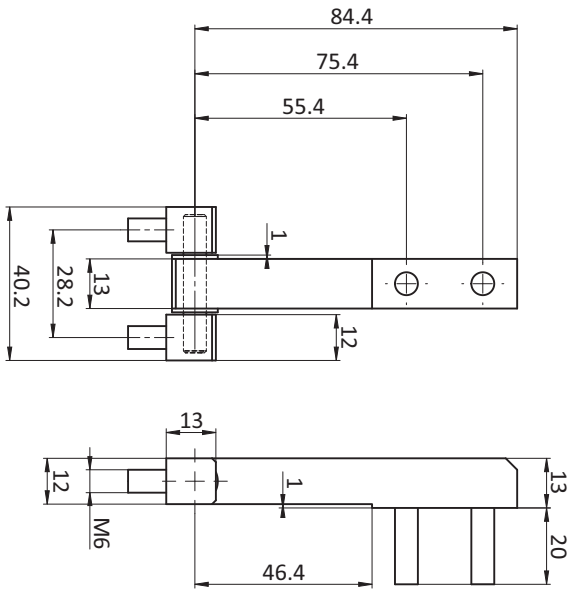
Large Size



	A [mm]	L [mm]	Stainless steel	Steel
Small size	30	45	0813363	0813364
	38	53	0813365	0813366
Large size	29	50	0813367	0813368
	40	61	0813369	0813370

HEAVY DUTY SCREW-ON HINGE

DESCRIPTION	To hinge panels
MATERIAL	304 SS
SPECIALS	Non lift off Left and right



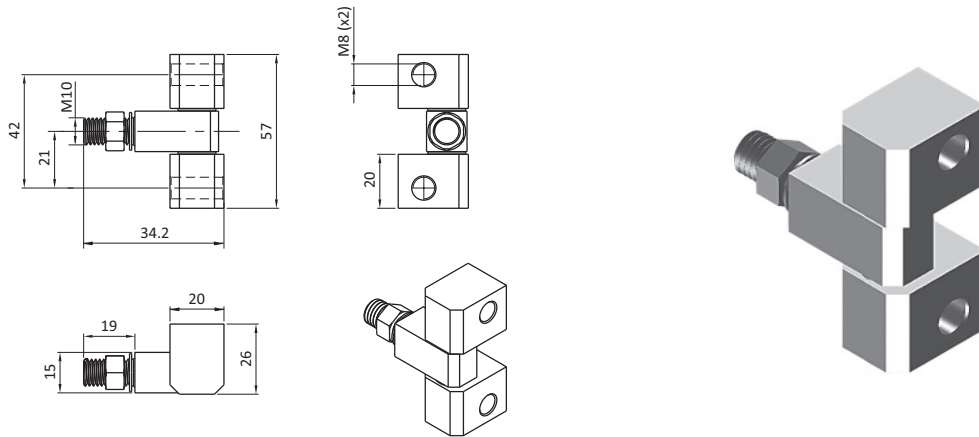
Screw-On Hinge

Part #

0830049S01

HEAVY DUTY SCREW-ON HINGE

DESCRIPTION	To hinge panels
MATERIAL	304 SS / Mild steel
SURFACE	Zinc plated
SPECIALS	Non lift off Left and right



Screw-On Hinge

Stainless steel

Steel

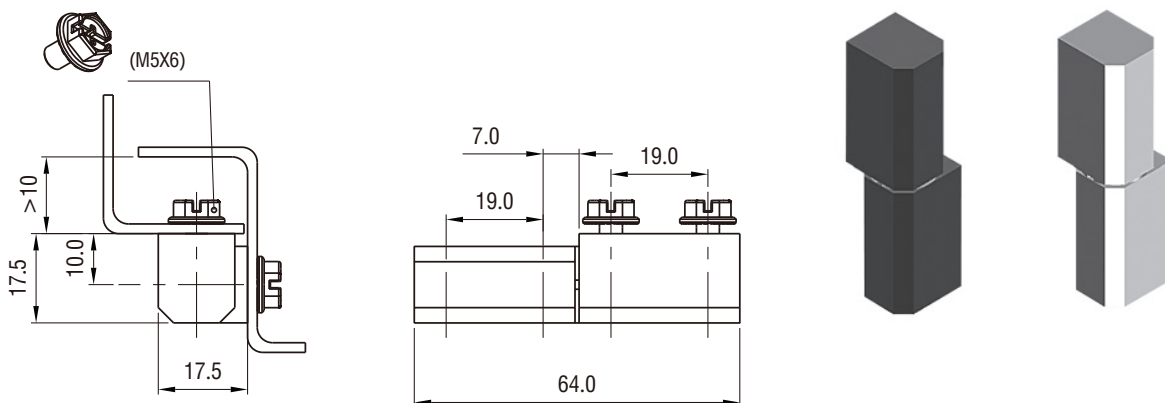
Three joints

0813371

0813372

SCREW-ON HINGE

DESCRIPTION	To hinge panels
MATERIAL	Die-cast zinc / 316 SS Pin: Mild steel
SURFACE	Black powder coated / chrome plated
SPECIALS	Lift off Left and right



Black Powder Coated

Chrome

316 SA

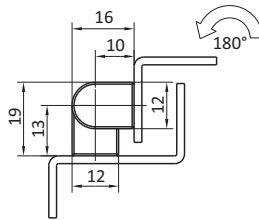
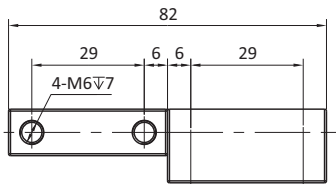
0813373

0813374

0813375

SCREW-ON HINGE

DESCRIPTION	To hinge panels
MATERIAL	304 SS
SPECIALS	Lift off Left and right



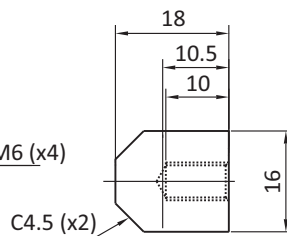
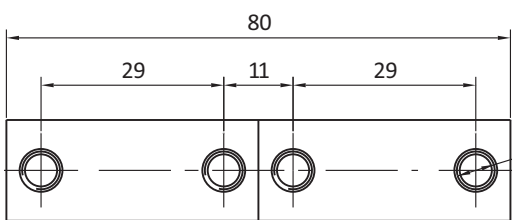
Screw-On Hinge

Part #

0813376

SCREW-ON HINGE

DESCRIPTION	To hinge panels
MATERIAL	304 SS
SPECIALS	Lift off Left and right



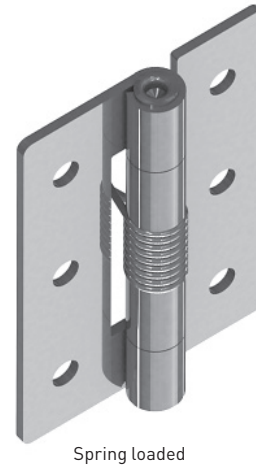
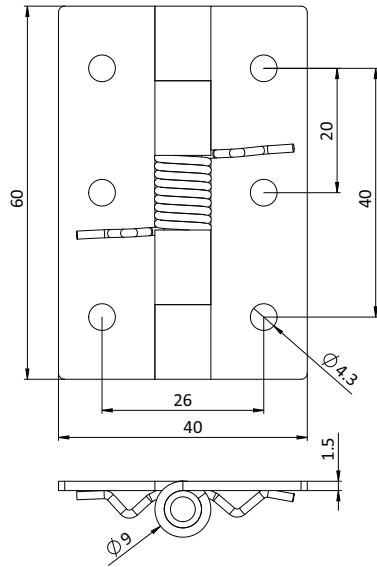
Screw-On Hinge

Part #

0813377

STAMPED METAL HINGES

DESCRIPTION	To hinge panels
MATERIAL	304 SS
SPECIALS	Non lift off Left right

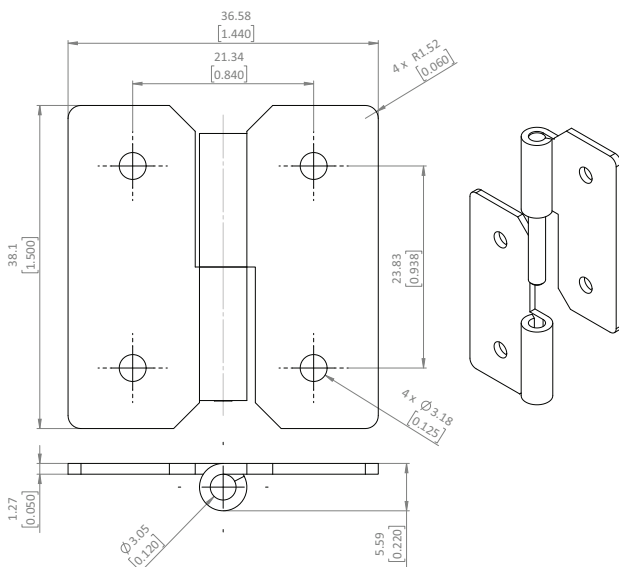


Screw-On Hinge

Part #

095072S02

DESCRIPTION	To hinge panels
MATERIAL	Mild steel, Finish: Nickel Plated
SPECIALS	Lift off Left Hand

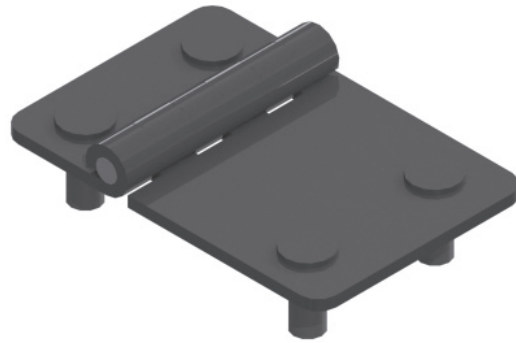
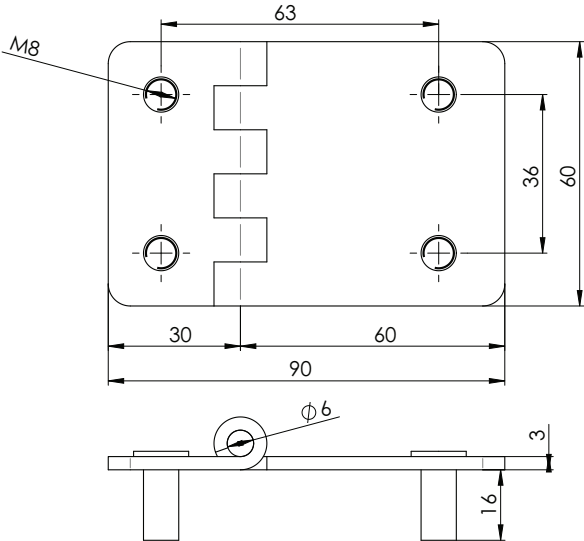


Screw-On Hinge

Part #

0830207

STAMPED METAL HINGES



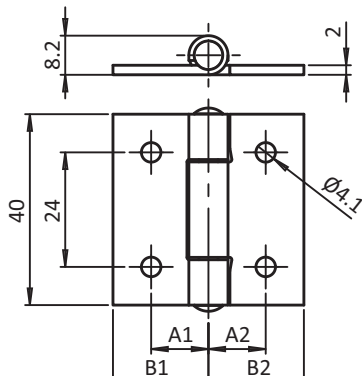
4 x PEM studs - Stud heads larger than pressed in hole

DESCRIPTION	To hinge panels
MATERIAL	Hinge Mild Steel Hinge pin: Steel
COLOR	Black Powder Coat

PART NUMBER

CP10092603

DESCRIPTION	To hinge panels
MATERIAL	Wing: 304 Stainless Steel Bolt: 304 Stainless Steel
COLOR	Plain
FASTENING	From the front, using M6 countersunk screws

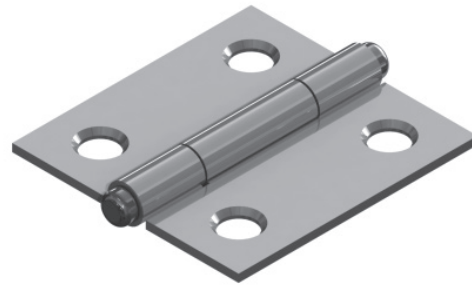
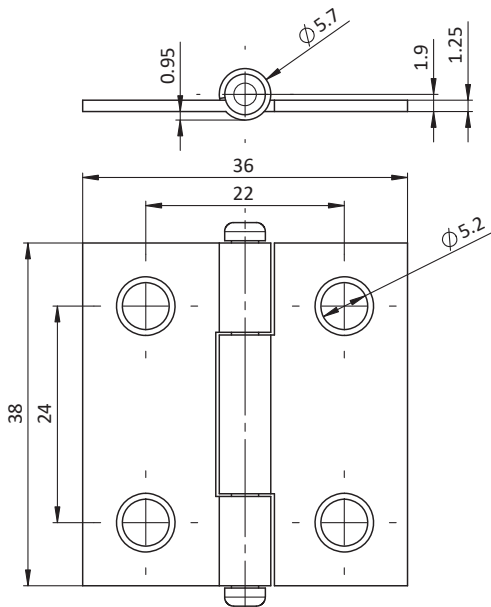


Light Stainless Steel Hinge	A1 [mm]	A2 [mm]	B1 [mm]	B2 [mm]	F _{max} [N]	F _{Rmax} [N]	Part #
	12.0	12.0	20.0	20.0	320.0	390.0	095072



STAMPED METAL HINGES

DESCRIPTION	To hinge panels
MATERIAL	Wing: Mild Steel Bolt: Aluminum
COLOR	Zinc Plated

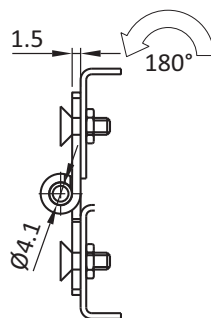
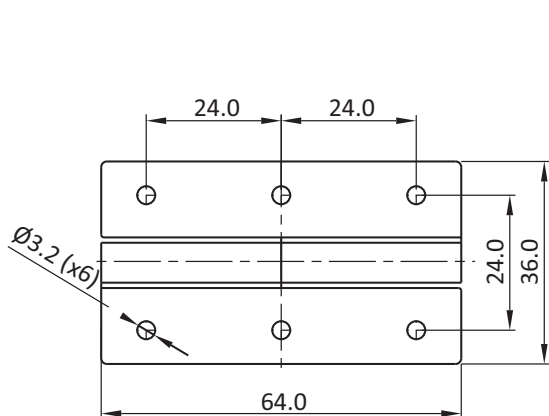


Stamped Metal Hinges

Part #

KT10799061

DESCRIPTION	To hinge panels
MATERIAL	Mild Steel 304 SS Pin: SS
SURFACE	Zinc plated
SPECIALS	Lift off Left and right



Screw-On Hinge

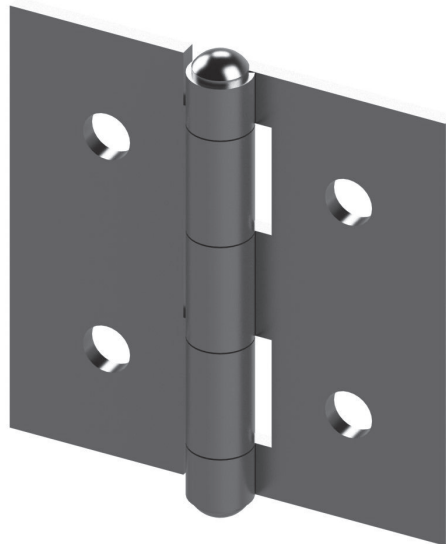
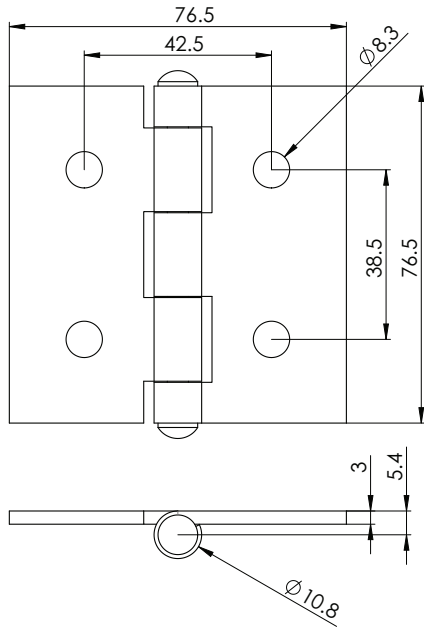
Left

Right

304 SS	0813295	0813296
Mild steel zinc plated	0813297	0813298

STAMPED METAL HINGES

DESCRIPTION	To hinge panels
MATERIAL	Aluminum
COLOR	Natural
FASTENING	From the front, using M8 Screws

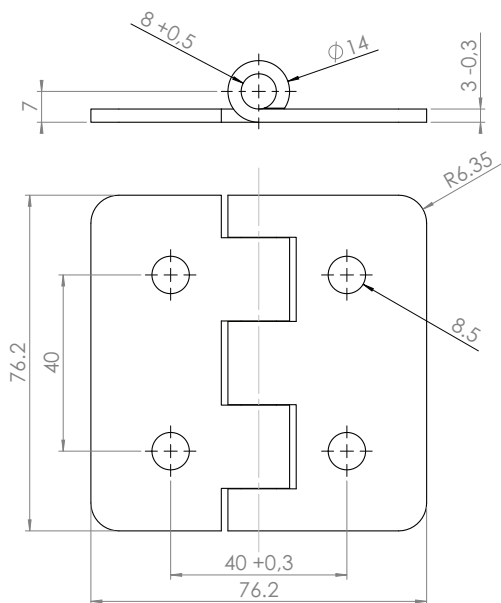


Stamped Metal Hinges

Part #

095980AL

DESCRIPTION	To hinge panels
MATERIAL	Mild Steel
COLOR	Black
FASTENING	From the front, using M8 Screws

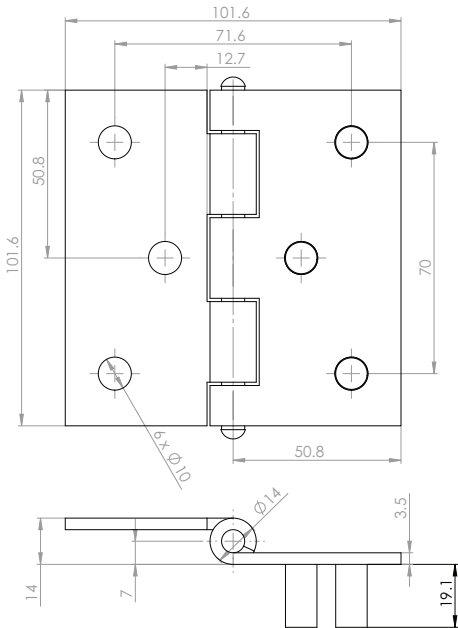


Stamped Metal Hinges

Part #

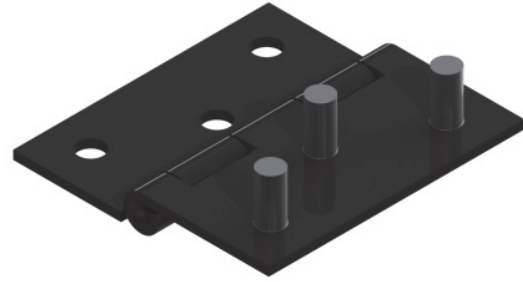
095980S

STAMPED METAL HINGES



M10 Threaded Stud

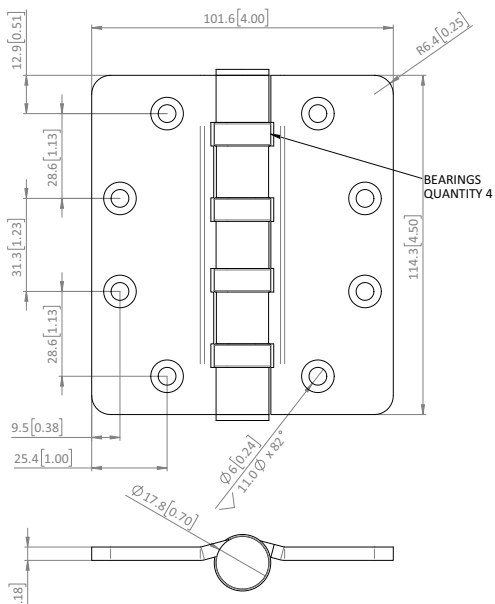
DESCRIPTION	To hinge panels
MATERIAL	Mild Steel Pin: SS
SURFACE	Black Powder Coat
SPECIALS	Left and right



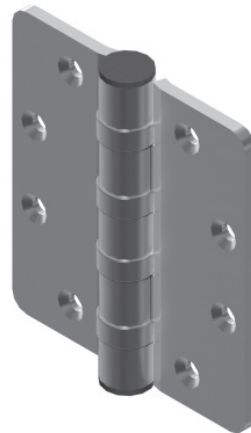
Screw-On Hinge

CP00926001S01

DESCRIPTION	To hinge panels
MATERIAL	316 SS
COLOR	Natural, Passivated
FASTENING	From the front, using M6 countersunk screws



BEARINGS
 QUANTITY 4



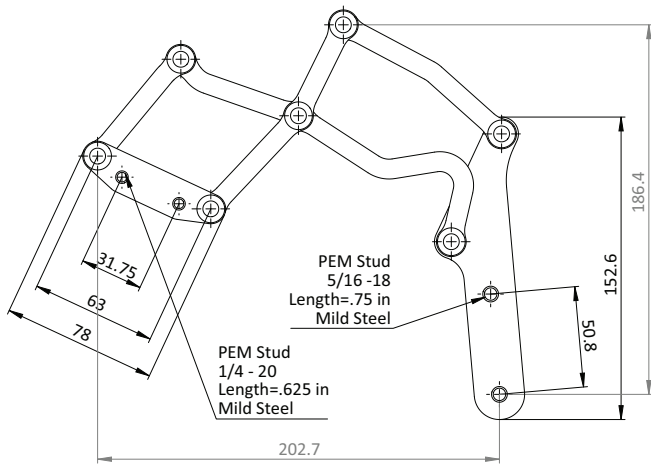
Stamped Metal Hinges

Part #

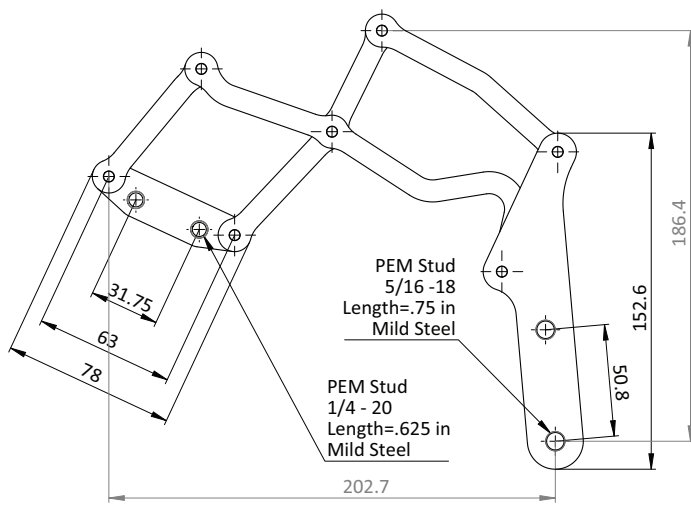
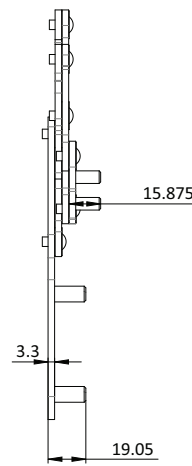
0850262

STAMPED METAL HINGES

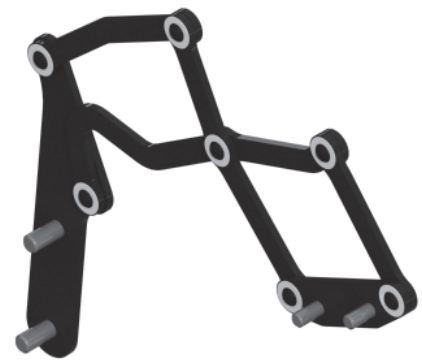
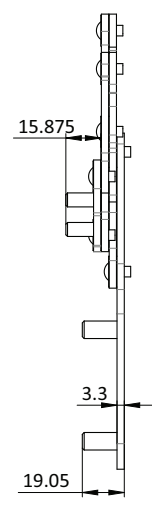
DESCRIPTION	To hinge panels
MATERIAL	Legs: Mild Steel Rivets: Steel
COLOR	Black E-Coated
FASTENING	From the front, using M6 countersunk screws



LEFT



RIGHT



Screw-On Hinge

Mild steel zinc plated

Left

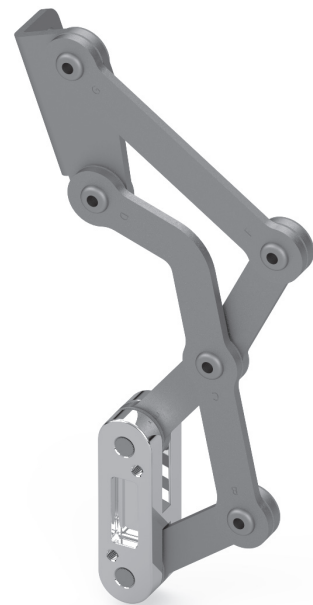
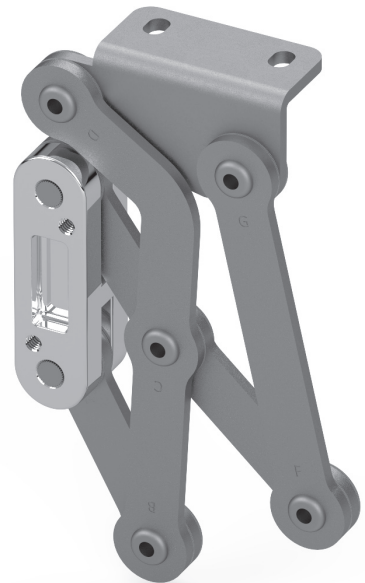
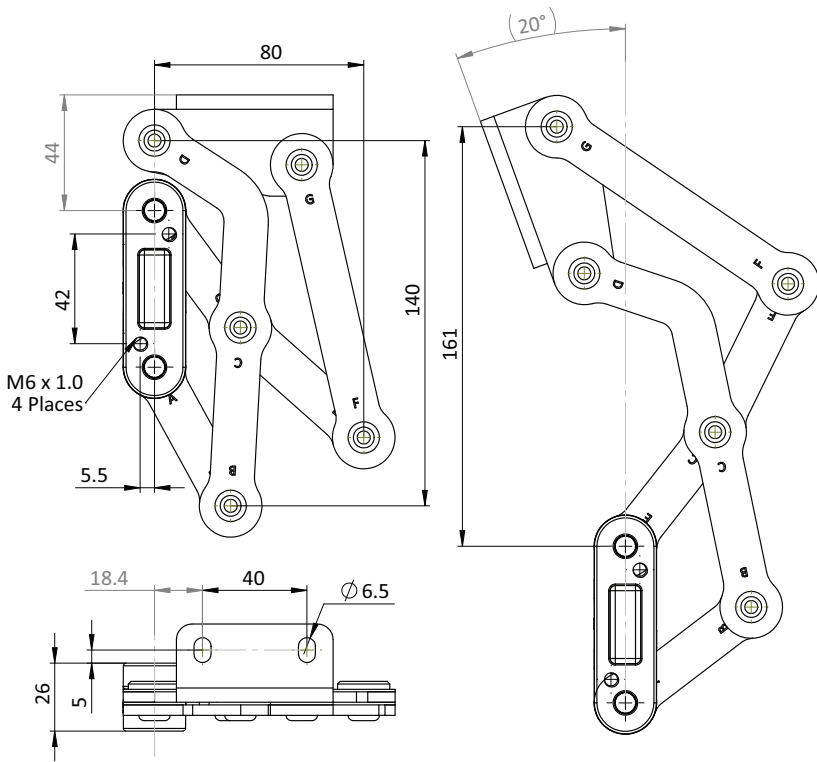
CP101936002

Right

CP101936001

STAMPED METAL HINGES

DESCRIPTION	To hinge panels
MATERIAL	Bars: Mild Steel Mounting Bracket: Die Cast Zinc Rivets: Steel
COLOR	Black E-Coated



Screw-On Hinge

0840070

INDUSTRIAL HARDWARE

CHAPTER 7: **SEMI-CONCEALED HINGES**

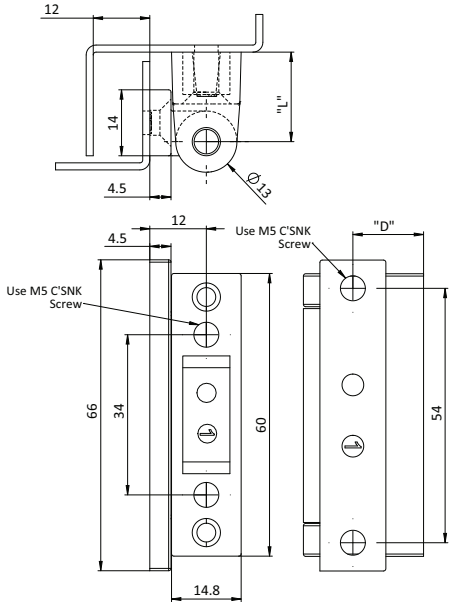


SCREW-ON HINGES	210
SEMI-CONCEALED METAL HINGES	211
SEMI-CONCEALED METAL HINGES	212
SEMI-CONCEALED LIFT OFF HINGES	213
SEMI-CONCEALED METAL HINGES	214
SEMI-CONCEALED METAL HINGES	214
SEMI-CONCEALED METAL HINGES	215
SEMI-CONCEALED METAL HINGES	215
SEMI-CONCEALED LIFT OFF HINGES	216



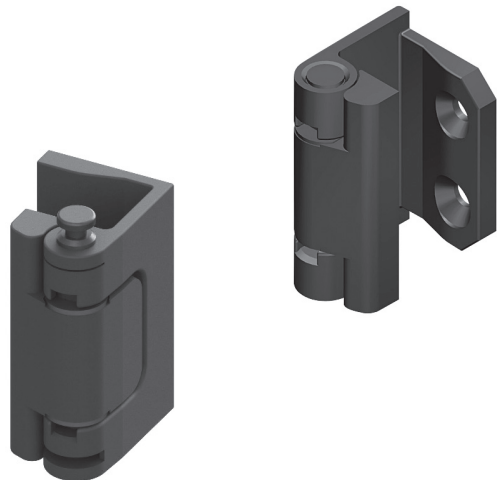
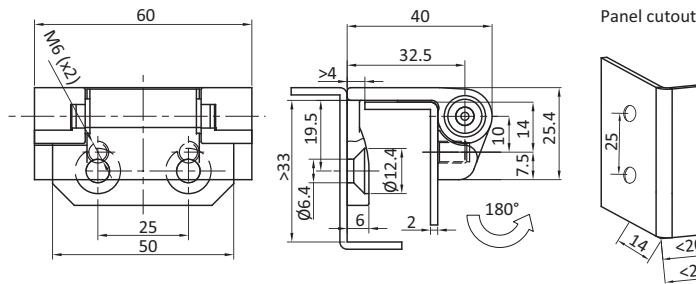
SCREW-ON HINGES

DESCRIPTION	To hinge panels
MATERIAL	Hinge leaves: Die-cast zinc Hinge pin and mounting pin: Mild steel
SURFACE	Hinge leaves: Black powder coated / chrome plated Hinge pin and mounting pin: Zinc plated



L [mm]	D[mm]	Black Powder Coated	Chrome Plated
13	9	0813388	0813389
19	15	0813390	0813391

DESCRIPTION	To hinge panels
MATERIAL	Hinge leaves: Die-cast zinc Hinge pin: PA
SURFACE	Hinge leaves: Black powder coated



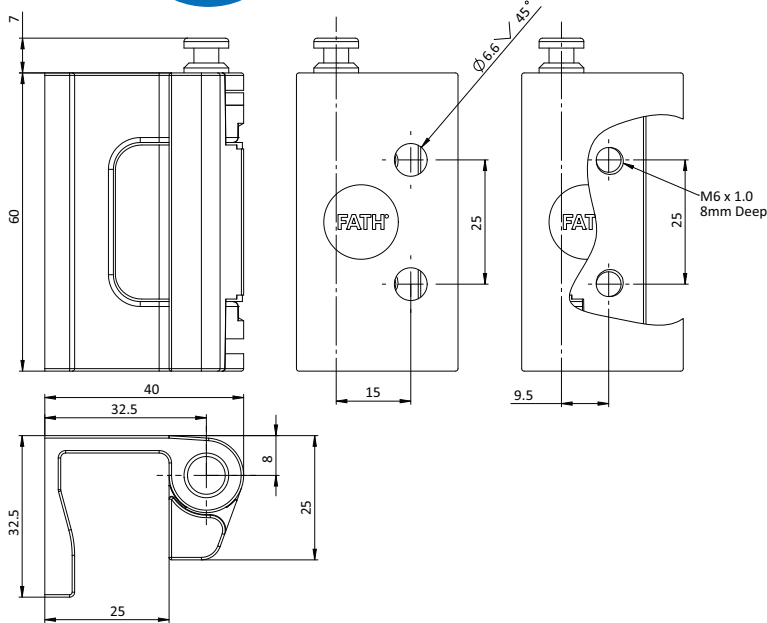
Semi-Concealed Metal Hinges	Part #
Removable Pin	0830075
Captive Pin	0830075S01



SEMI-CONCEALED METAL HINGES



DESCRIPTION	To hinge panels
MATERIAL	Hinge leaves: Die-cast zinc Hinge pin and mounting pin: Stainless Steel
SURFACE	Hinge leaves: Black powder coated Hinge pin and mounting pin: Black E-Coat

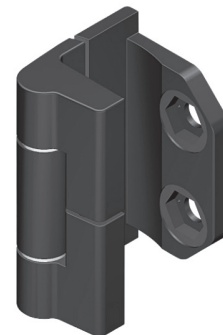
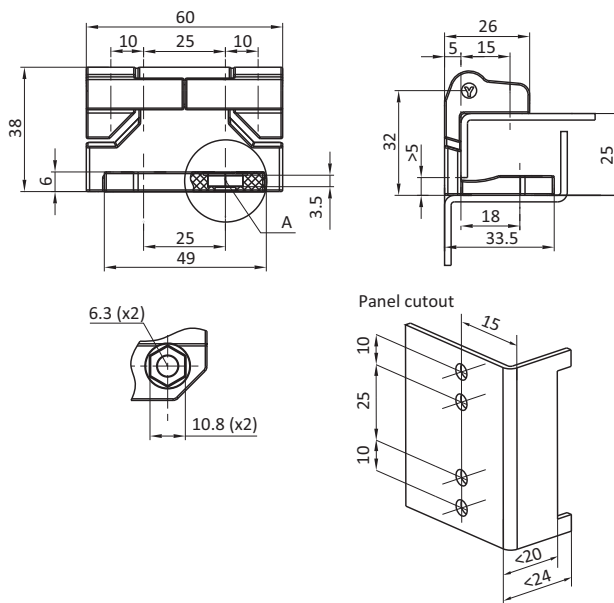


Semi-Concealed Metal Hinges

Part #

0830075S01

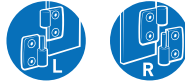
DESCRIPTION	To hinge panels
MATERIAL	Hinge leaves: Die-cast zinc Hinge pin: Mild steel
SURFACE	Hinge leaves: Black powder coated Hinge pin: Zinc plated



Semi-Concealed Metal Hinges

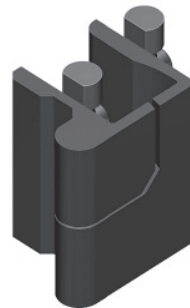
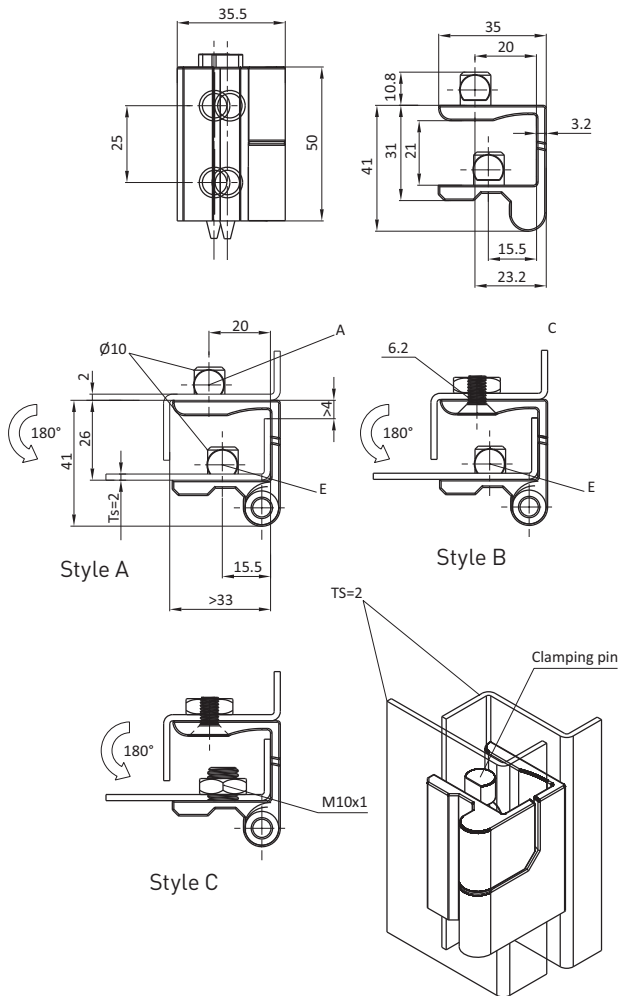
Part #

0830071

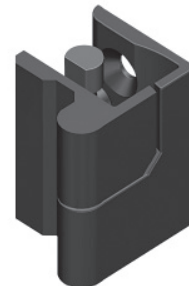


SEMI-CONCEALED METAL HINGES

DESCRIPTION	To hinge panels
MATERIAL	Hinge leaves: Die-cast zinc Hinge pin: Mild steel
SURFACE	Hinge leaves: Black powder coated Hinge pin: Zinc plated



Style A



Style B

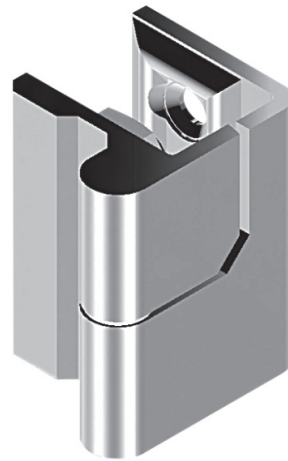
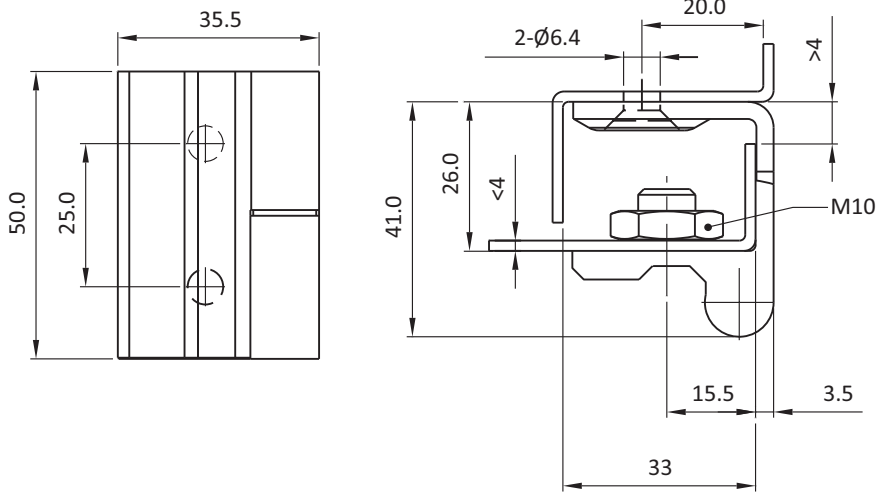


Style C

Style	Left	Right
A	0830169S01	0830069S01
B	0813378	0813379
C	0813380	0813381

SEMI-CONCEALED LIFT OFF HINGES

DESCRIPTION	To hinge panels and for easy panel removal
MATERIAL	316 SS



Semi-Concealed Lift off Hinges

Left

Right

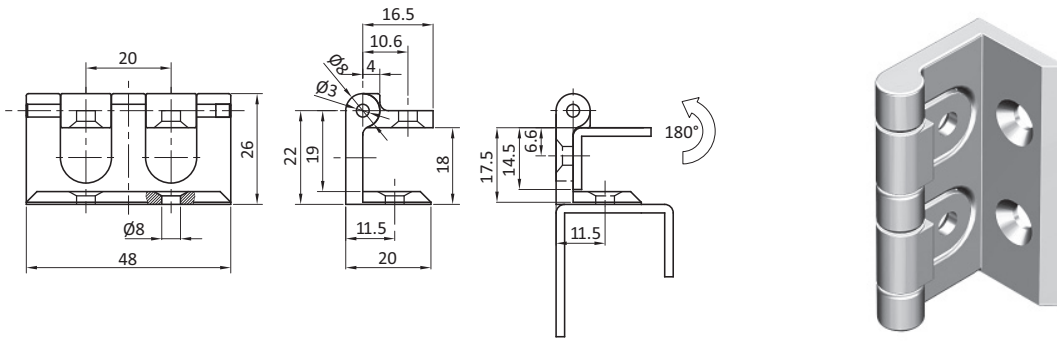
0813386

0813387



SEMI-CONCEALED METAL HINGES

DESCRIPTION	To hinge panels
MATERIAL	Hinge leaves: Die-cast zinc Hinge pin: Mild steel
SURFACE	Hinge leaves: Zinc plated Hinge pin: Zinc plated

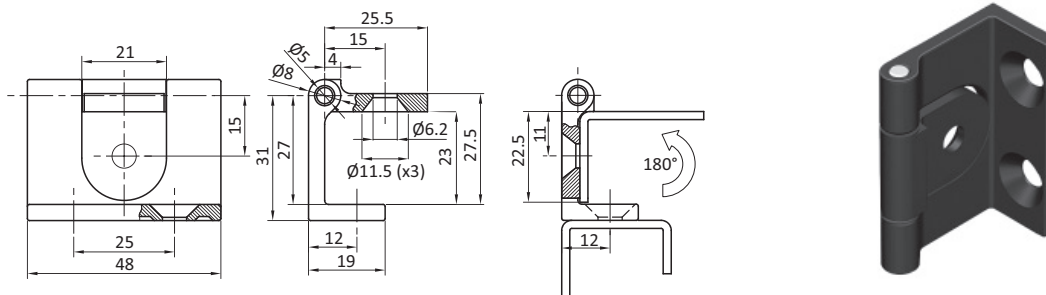


Semi-Concealed Metal Hinges

Part #
0830074

SEMI-CONCEALED METAL HINGES

DESCRIPTION	To hinge panels
MATERIAL	Hinge leaves: Die-cast zinc Hinge pin: Mild steel
SURFACE	Hinge leaves: Black Zinc plated Hinge pin: Zinc plated



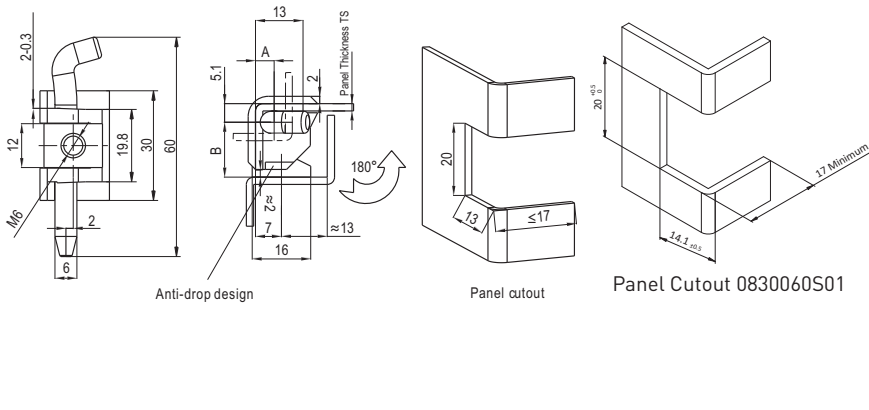
Semi-Concealed Metal Hinges

Part #
0830076



SEMI-CONCEALED METAL HINGES

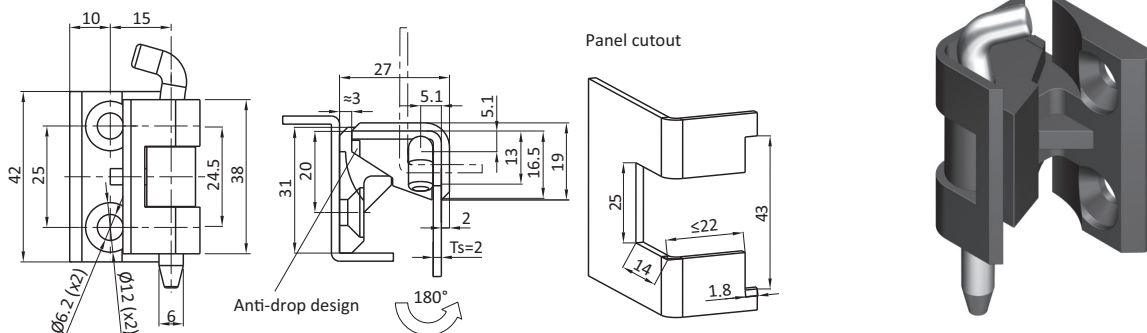
DESCRIPTION	To hinge panels and for easy panel removal
MATERIAL	Hinge leaves: Die-cast zinc Hinge pin: Mild steel
SURFACE	Hinge leaves: Black powder coated / chrome plated Hinge pin: Zinc plated



Panel thickness Ts (mm)		A	B	Black Powder Coated	Chrome Plated
1,5	Long Pin	4.6	15	0830059	0830061
2	Long Pin	5.1	15	0830060	0830062
2	Short Pin	5.1	15	0830060S01	

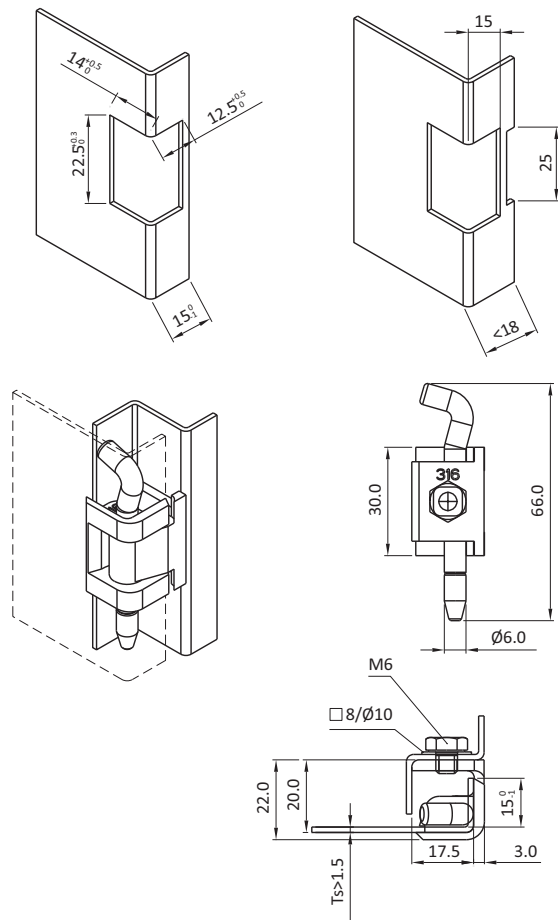
SEMI-CONCEALED METAL HINGES

DESCRIPTION	To hinge panels and for easy panel removal
MATERIAL	Hinge leaves: Die-cast zinc Hinge pin: Mild steel
SURFACE	Hinge leaves: Black powder coated / chrome plated Hinge pin: Zinc plated

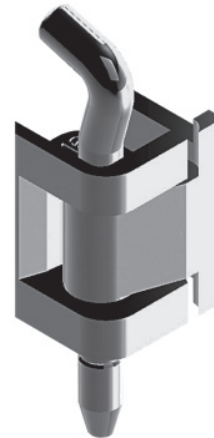


Panel thickness Ts [mm]	Black Powder Coated	Chrome Plated
1,5	0830063	0830065
2	0830064	0830066

SEMI-CONCEALED LIFT OFF HINGES

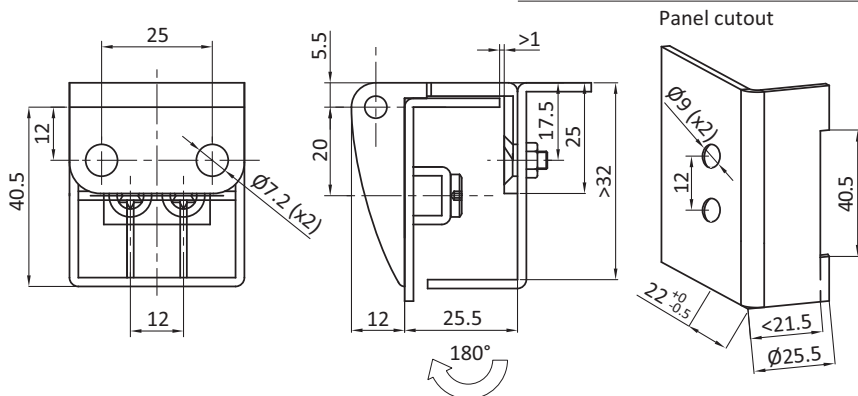


DESCRIPTION	To hinge panels and for easy panel removal
MATERIAL	316 SS



Panel thickness Ts [mm]	316 SS
1,5	0813384
2	0813385

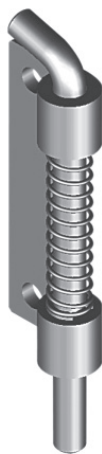
DESCRIPTION	To hinge panels
MATERIAL	Hinge leaf: Die-cast zinc Hinge pin and mounting pin: Mild steel
SURFACE	Hinge leaf: Black powder coated / turquoise powder coated Hinge pin and mounting pin: Zinc plated



Semi-Concealed Lift off Hinges	Black Powder Coated	Turquoise Powder Coated
	0813382	0813383

INDUSTRIAL HARDWARE

CHAPTER 8: **CONCEALED HINGES**

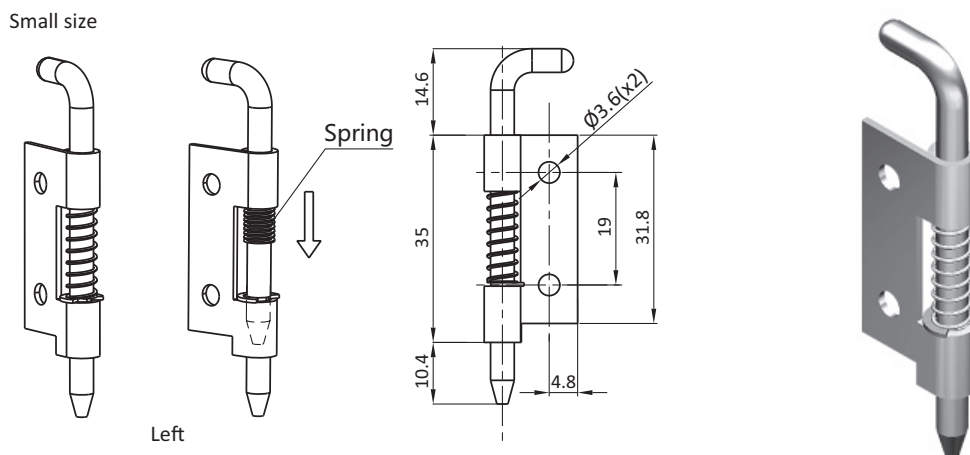
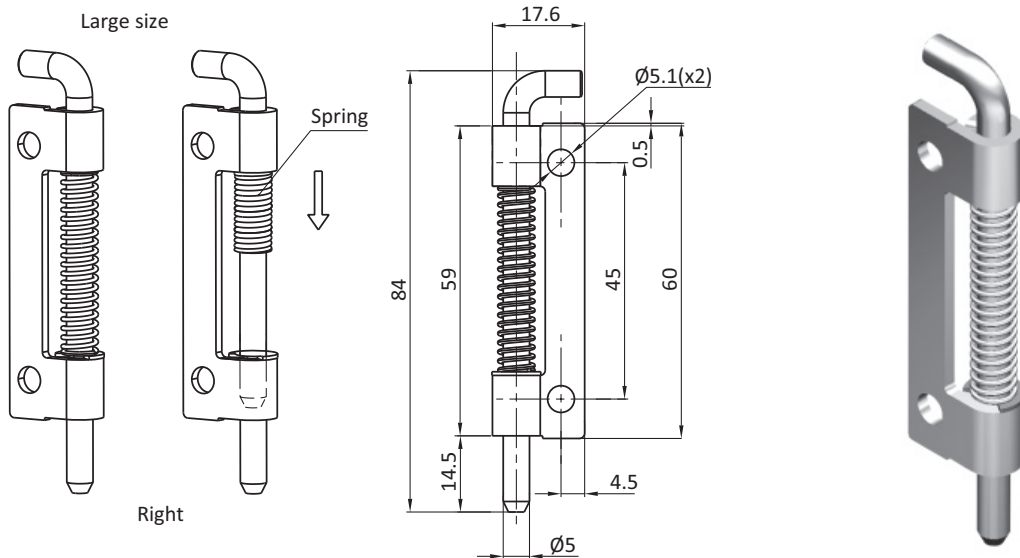


SPRING LOADED CONCEALED HINGES
CONCEALED HINGES
LATCHING / CONCEALED HINGES
CONCEALED HINGES
WELD ON HINGES

218-219
220-221
222-223
224-230
231

SPRING LOADED CONCEALED HINGES

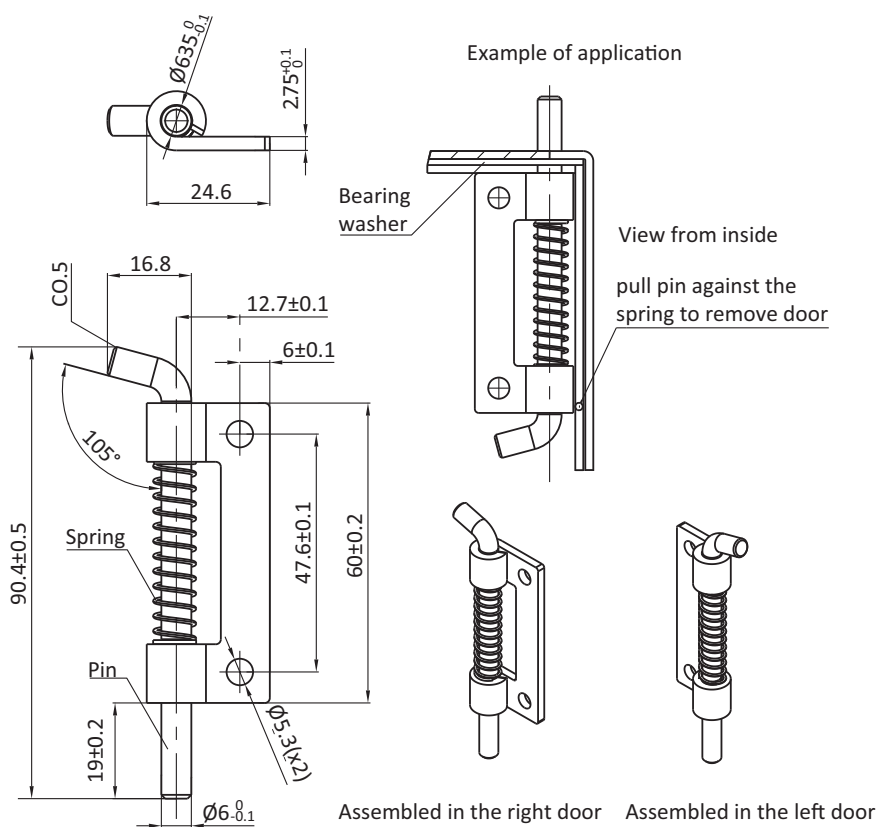
DESCRIPTION	To hinge panels
MATERIAL	Mild steel
SURFACE	Zinc plated
SPECIALS	Lift off Right and left Stainless Steel on request



Spring Loaded Concealed Hinges	Size	Left	Right
Screw on version	Large Size	0840013	0813392
	Small Size	0840014	0813394
Weld on version	Large Size	0840015	0813393
	Small Size	0840016	0813395

SPRING LOADED CONCEALED HINGES

DESCRIPTION	To hinge panels
MATERIAL	Mild steel / Stainless steel 304
SURFACE	Zinc plated
SPECIALS	Right and left Lift off

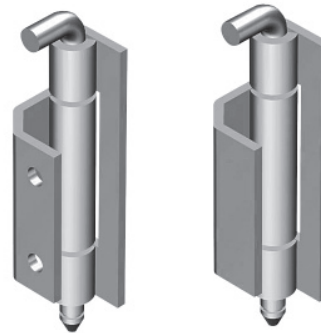
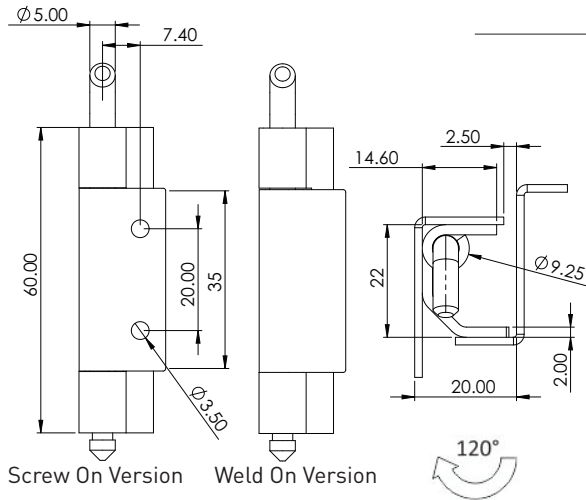


Spring loaded concealed hinges	Screw On	304 SS	Mild steel
left		0813406	0840053
right		0813407	0840054



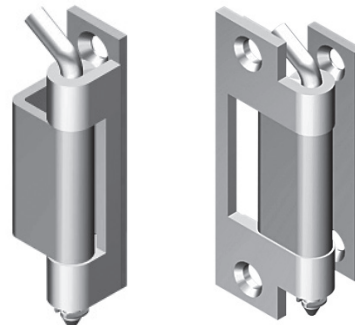
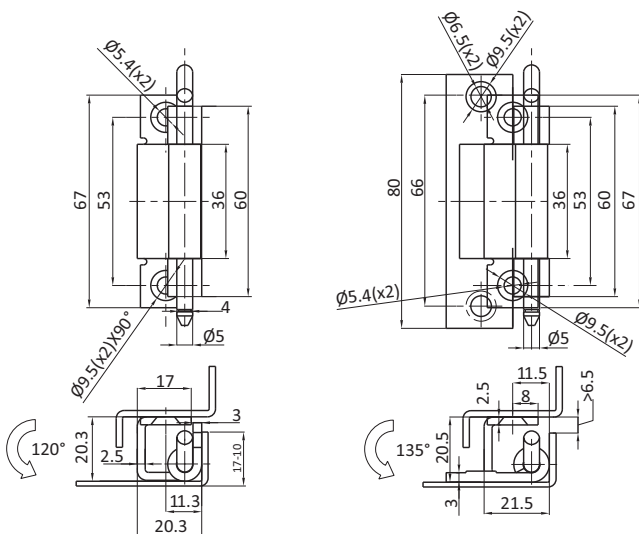
CONCEALED HINGES

DESCRIPTION	To hinge panels
MATERIAL	Mild steel / Stainless steel 304
SURFACE	Zinc plated
SPECIALS	Right and left Lift off



Concealed Hinges	304 SS	Mild steel
Screw on	0840038	0840040
Weld on	0840039	0840041

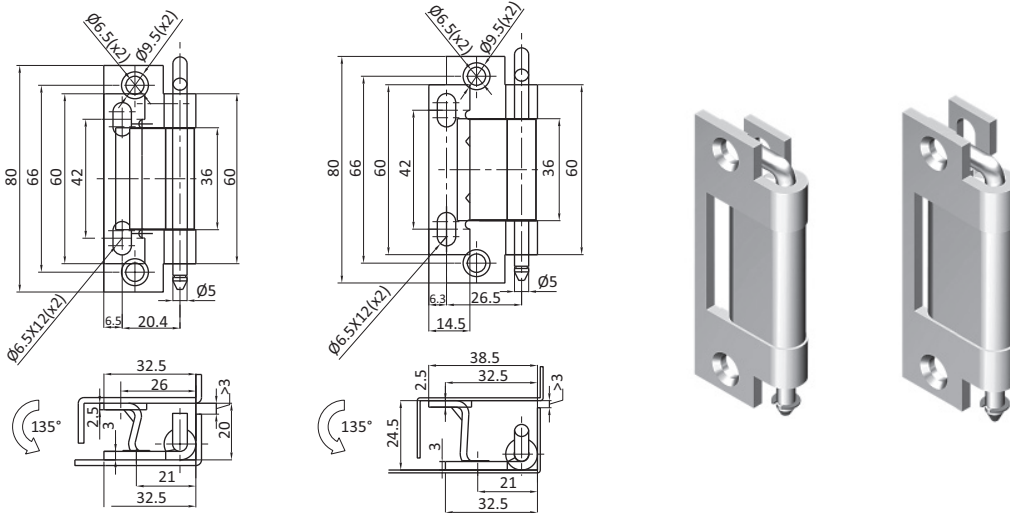
DESCRIPTION	To hinge panels
MATERIAL	Mild steel / Stainless steel 304
SURFACE	Zinc plated
SPECIALS	Right and left Lift off



Concealed Hinges	304 SS	Mild steel
20.3	0840023	0840025
21.5	0840024	0840026

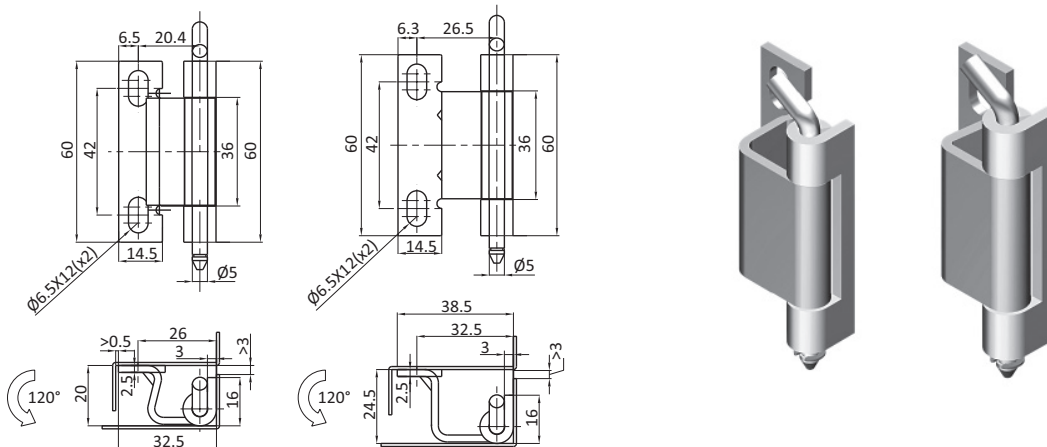
CONCEALED HINGES

DESCRIPTION	To hinge panels
MATERIAL	Mild steel / Stainless steel 304
SURFACE	Zinc plated
SPECIALS	Right and left Lift off



Concealed Hinges	304 SS	Mild steel
Dim 20.0	0840027	0840029
Dim 24.5	0840028	0840030

DESCRIPTION	To hinge panels
MATERIAL	Mild steel / Stainless steel 304
SURFACE	Zinc plated
SPECIALS	Right and left Lift off Weld on version

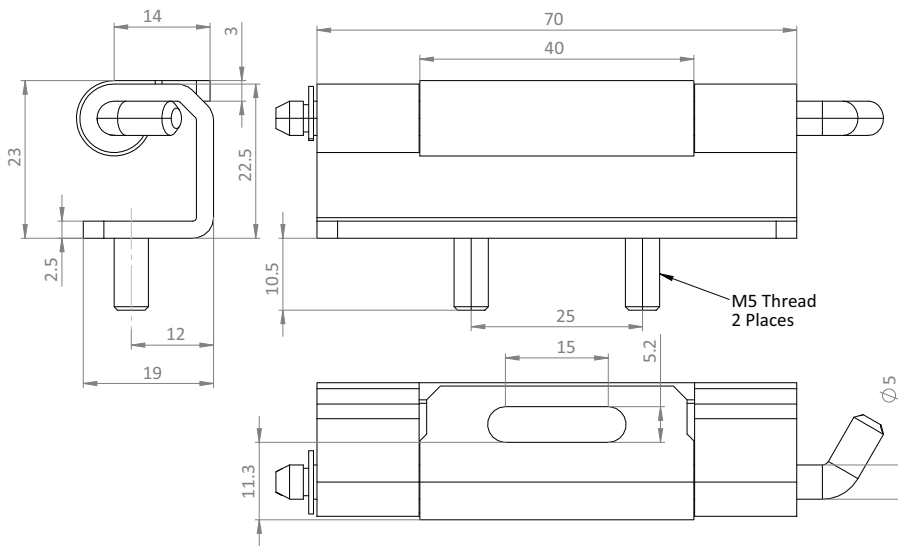


Concealed Hinges	304 SS	Mild steel
Dim 20.0	0840019	0840021
Dim 24.5	0840020	0840022



LATCHING / CONCEALED HINGES

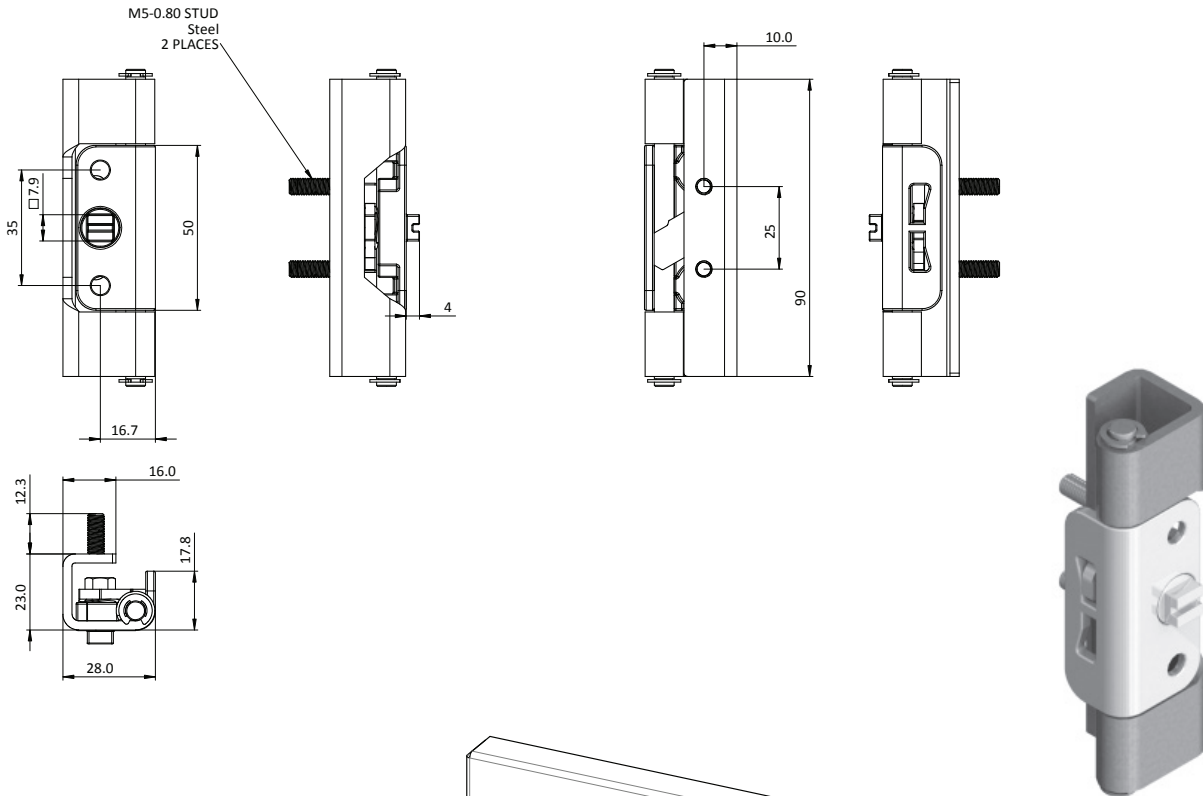
DESCRIPTION	To hinge panels
MATERIAL	Frame component: Mild Steel Hinge pin: Mild steel
SURFACE	Hinge leaves: Zinc Plated Hinge pin: Zinc plated
SPECIALS	Right and left





LATCHING / CONCEALED HINGES

DESCRIPTION	To hinge panels
MATERIAL	Frame component: Mild Steel Door component: Die-cast zinc Hinge pin: Mild steel
SURFACE	Hinge leaves: Zinc Plated Hinge pin: Zinc plated
SPECIALS	Right and left



Turn 90 degrees
and door will open
this side and hinge
on the other

Turn 90 degrees
and door will open
this side and hinge
on the other

DEVICE IS BOTH
HINGE AND LATCH

Concealed Hinges

Part Number

Left

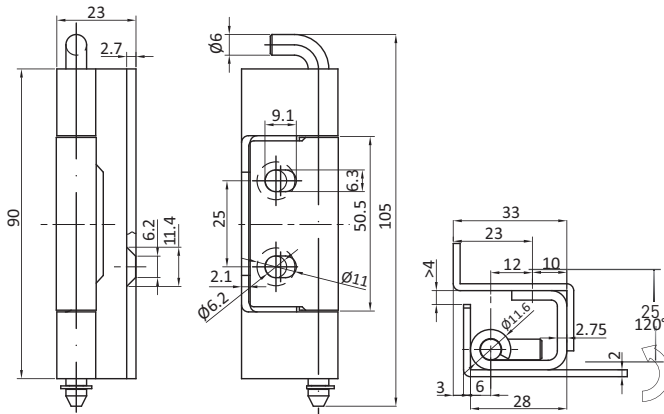
0830199L

Right

0830199R

CONCEALED HINGES

DESCRIPTION	To hinge panels
MATERIAL	Mild steel / Stainless steel 304
SURFACE	Zinc plated
SPECIALS	Right and left Lift off



Concealed Hinges

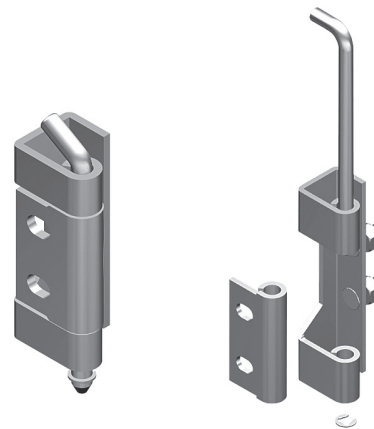
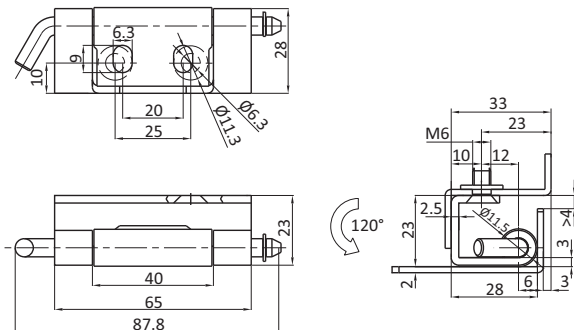
304 SS

Mild steel

0840031

0840032

DESCRIPTION	To hinge panels
MATERIAL	Mild steel / Stainless steel 304
SURFACE	Zinc plated
SPECIALS	Right and left Lift off



Concealed Hinges

304 SS

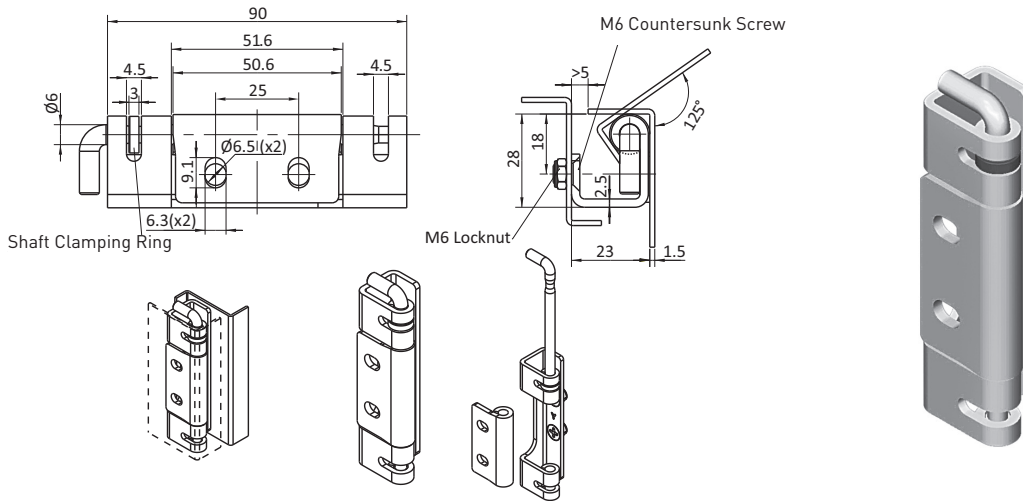
Mild steel

0813396

0813397

CONCEALED HINGES

DESCRIPTION	To hinge panels
MATERIAL	Mild steel / Stainless steel 304
SURFACE	Clear Zinc plated



Concealed Hinges

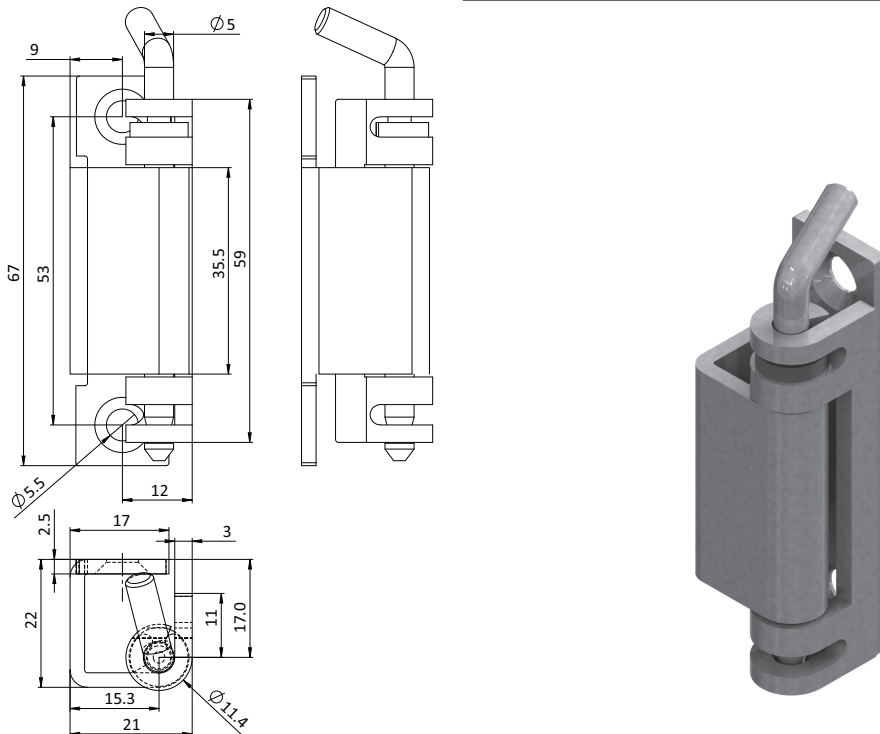
304 SS

Mild steel

0813398

0840063

DESCRIPTION	To hinge panels
MATERIAL	Hinge: Mild steel C-Clip: PA6 30
SURFACE	Clear Zinc plated



Concealed Hinges

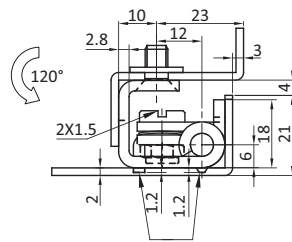
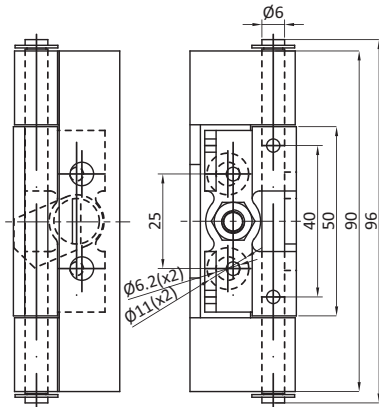
Mild steel

0840026CP



CONCEALED HINGES

DESCRIPTION	To hinge panels
MATERIAL	Mild steel / Stainless steel 304
SURFACE	Zinc plated
SPECIALS	Right and left Lift off



4-Weld-on point



Concealed Hinges

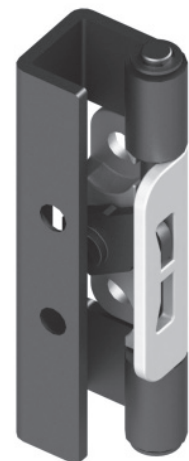
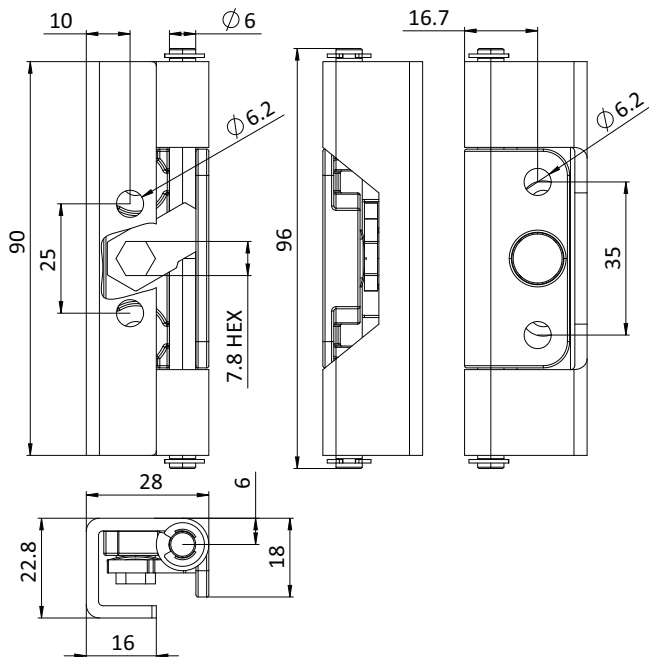
304 SS

Mild steel

0840050

0840051

DESCRIPTION	To hinge panels and doors
MATERIAL	Mild steel / Stainless steel 304 / Die cast zinc
SURFACE	Zinc Nickel



Concealed Hinges

Right

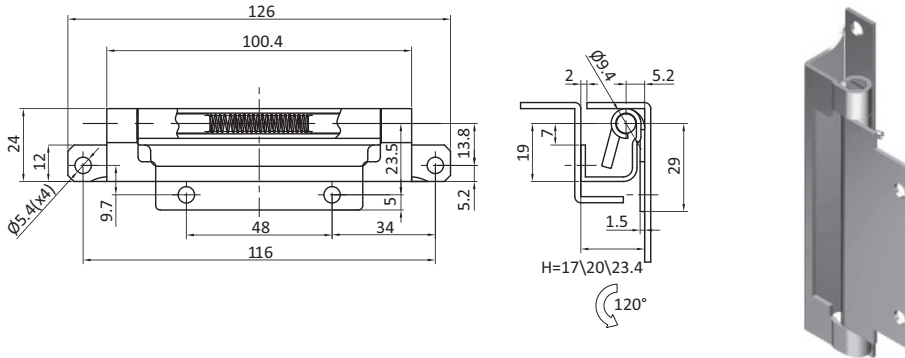
Left

0830199RS01

0830199LS01

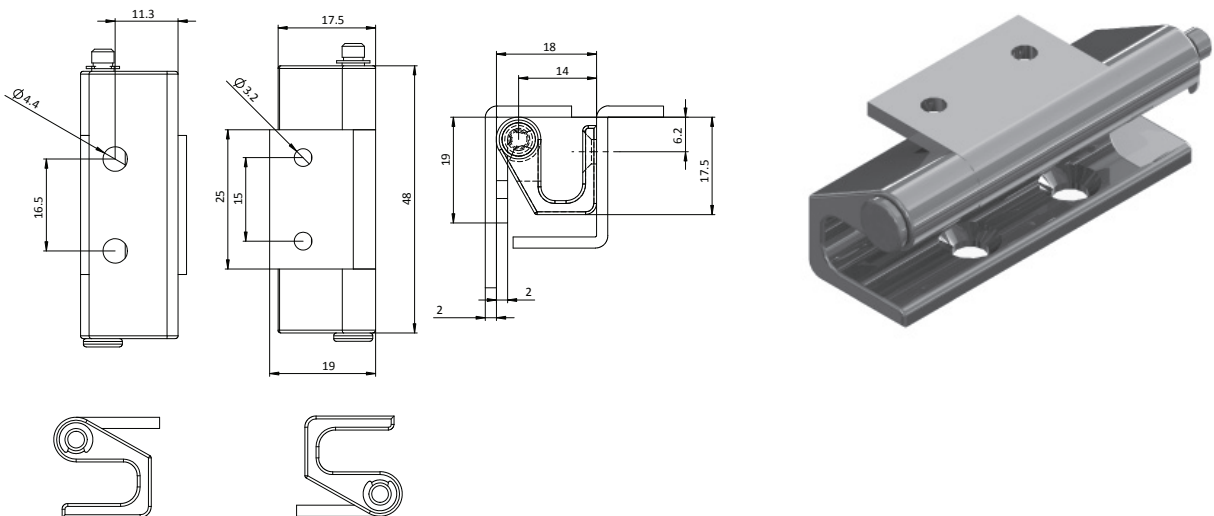
CONCEALED HINGES

DESCRIPTION	To hinge panels
MATERIAL	Mild steel / Stainless steel 304
SURFACE	Zinc plated
SPECIALS	Right and left Lift off



Concealed Hinges	304 SS	Mild steel
17	0840033	0840035
20	0840003	0840036
23.4	0840034	0840037

DESCRIPTION	To hinge panels
MATERIAL	Hinge leaves: Die-cast zinc Hinge pin: Mild steel
SURFACE	Hinge leaves: Bright Chrome Plate Hinge pin: Zinc plated
SPECIALS	Right and left

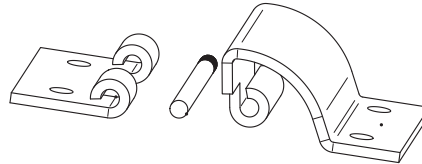
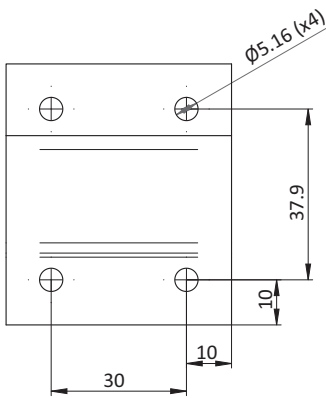
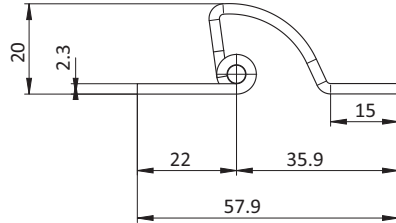
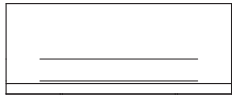


Concealed Hinge	Part #
	0840011501



CONCEALED HINGES

DESCRIPTION	To hinge panels
MATERIAL	Mild steel
SURFACE	Zinc plated
SPECIALS	Right and left

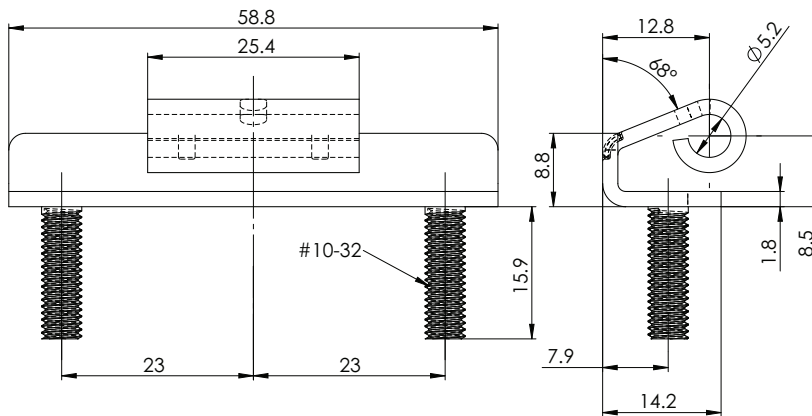


Concealed Hinge

Part #

0840056

DESCRIPTION	To hinge panels
MATERIAL	Mild steel
SURFACE	Zinc plated
SPECIALS	Right and left



Concealed Hinge

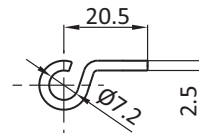
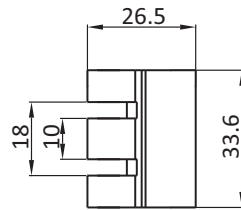
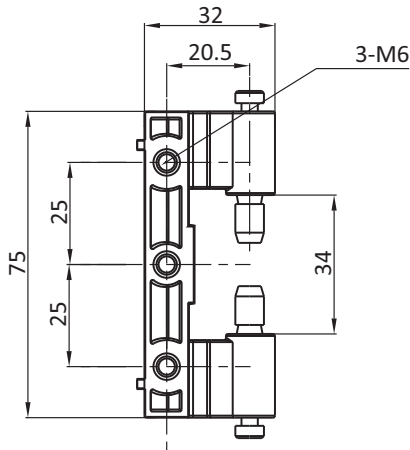
Part #

0840059

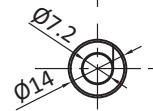
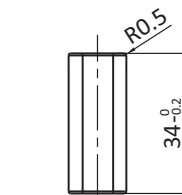
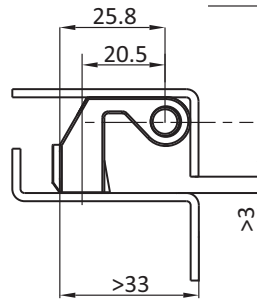
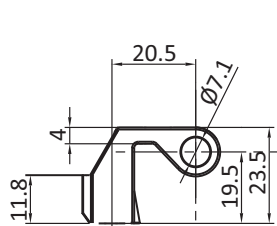
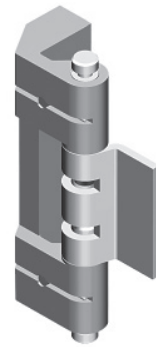


CONCEALED HINGES

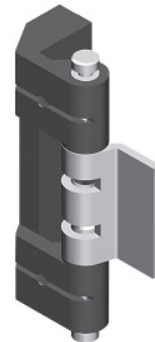
DESCRIPTION	To hinge panels
MATERIAL	Die cast zinc
SURFACE	Black powder coated / Sand blasted
SPECIALS	Right and left Lift off



Version A



Version B

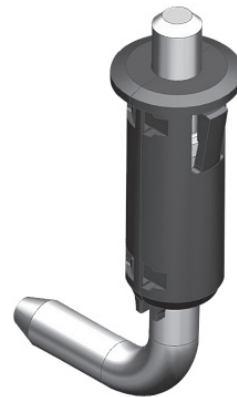
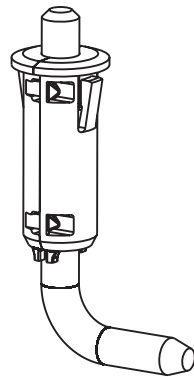
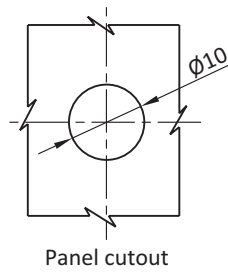
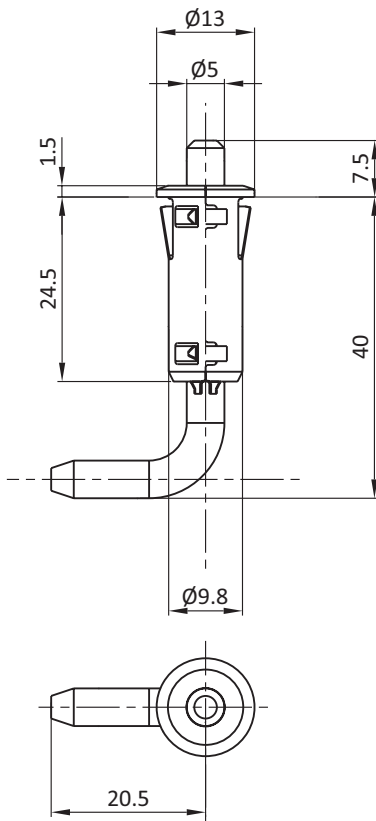


Concealed Hinge	Black Powder Coated	Sand Blasted
Version A	0813400	0813401
Version B	0813402	0813403



CONCEALED HINGES

DESCRIPTION	To hinge panels
MATERIAL	Hinge housing: Nylon PA, glass fiber reinforced Hinge pin: Mild steel
SURFACE	Hinge pin: Zinc plated



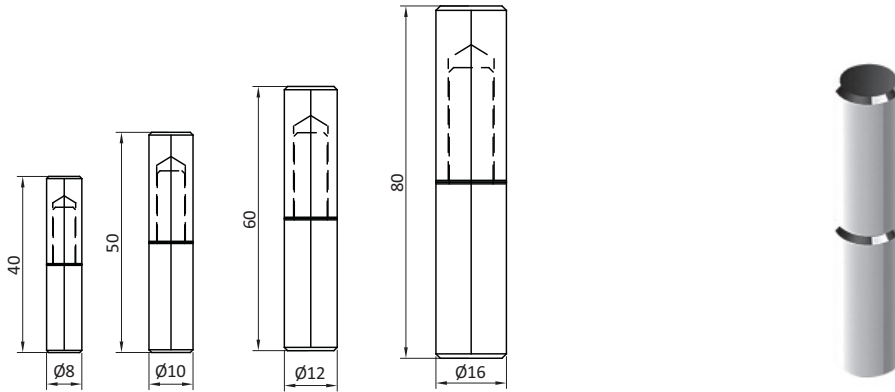
Concealed Hinge

Part #

0813399

WELD ON HINGES

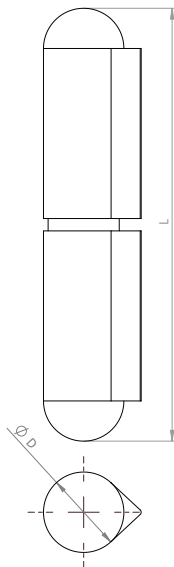
DESCRIPTION	To hinge panels
MATERIAL	Mild steel / 304 SS
SURFACE	Zinc plated
SPECIALS	Right and left Lift off



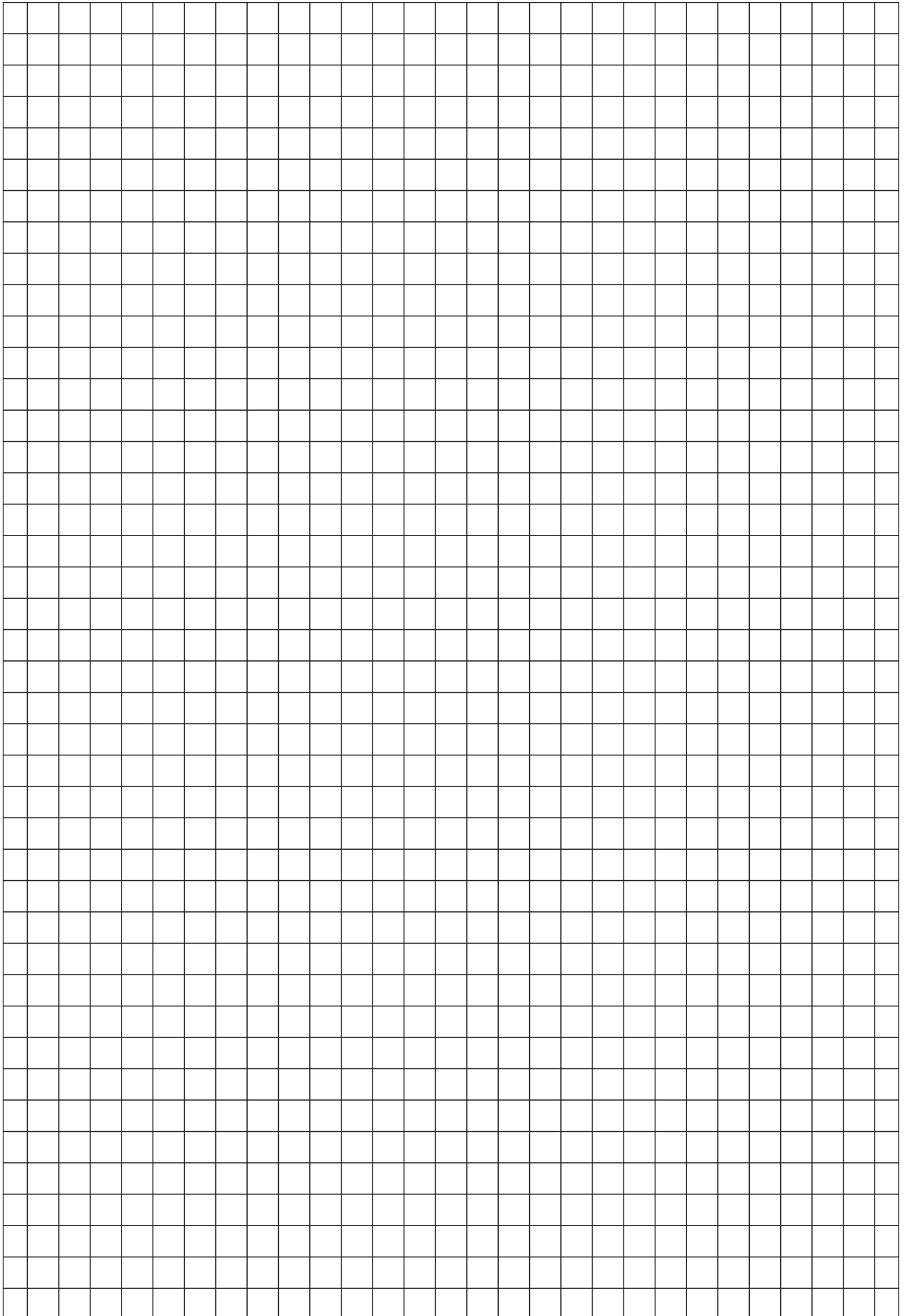
Weld On Hinges	304 SS	Mild steel
40	0840042	0840043
50	0840044	0840045
60	0840046	0840047
80	0840048	0840049

WELD ON HINGES

DESCRIPTION	To hinge panels
MATERIAL	304 SS
SURFACE	
SPECIALS	Right and left Lift off

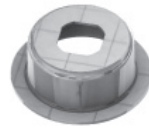


Dimension L	Dimension D	Part Number
40mm	8mm	0840064
70mm	13mm	0840064S01



INDUSTRIAL HARDWARE

CHAPTER 9: **ACCESSORIES**

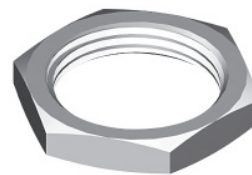
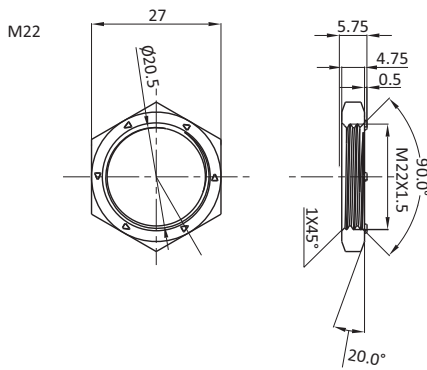
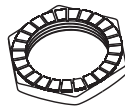
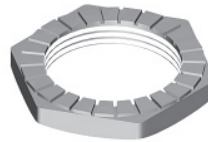
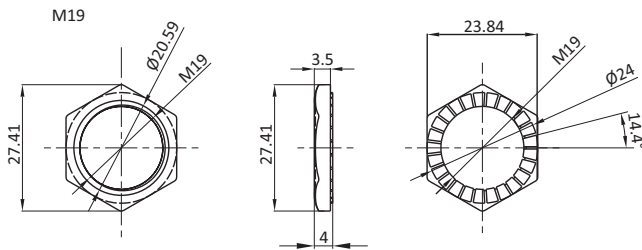
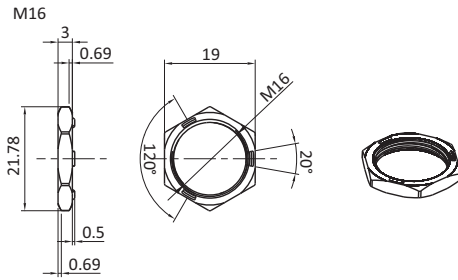


LOCK NUTS	234
FINGER PULL / COVER	235
SCREWS	236
1/4 TURN SPACER	237
1/4 TURN GASKET	237
STANDARD QUARTER TURN CAMS	238-239
CAM SHOE	240
CAM ADAPTER	240
FOUR / THREE POINT CAM ADAPTERS	241
CUSTOM QUARTER TURN CAMS - STYLE A	242
CUSTOM QUARTER TURN CAMS - STYLE B	242
UNIQUE MULTIPOINT QUARTER TURN CAMS	243-244
SINGLE POINT ROLLER CAM	245
ADJUSTABLE ROLLER CAM	246
HOOK CAM QUARTER TURN	247
SMALL QUARTER TURN CAMS	248
SLAM CAMS	248
KEYS	249
KEYS	250
PADLOCK DEVICE	251
QUARTER TURN MOUNTING SPRING CLIP	252
EYE BOLTS	252
MAGNETIC CATCH 20	253
BALL CATCH	254
DOUBLE BALL CATCH MS	255
MAGNETIC CATCH 40	255
CLIP CABLE BINDER	256
UNIVERSAL CABLE BINDING BLOCKS	257
SAFETY STRAP	258
ANTI-LOSS WASHER	259
MONITOR ARM 4 AXIS	260
MONITOR ARM 5 AXIS	261
DOCUMENT POCKET	262
FAN VENTILATOR/FILTER	263
LEVELING FEET	264-266



LOCK NUTS

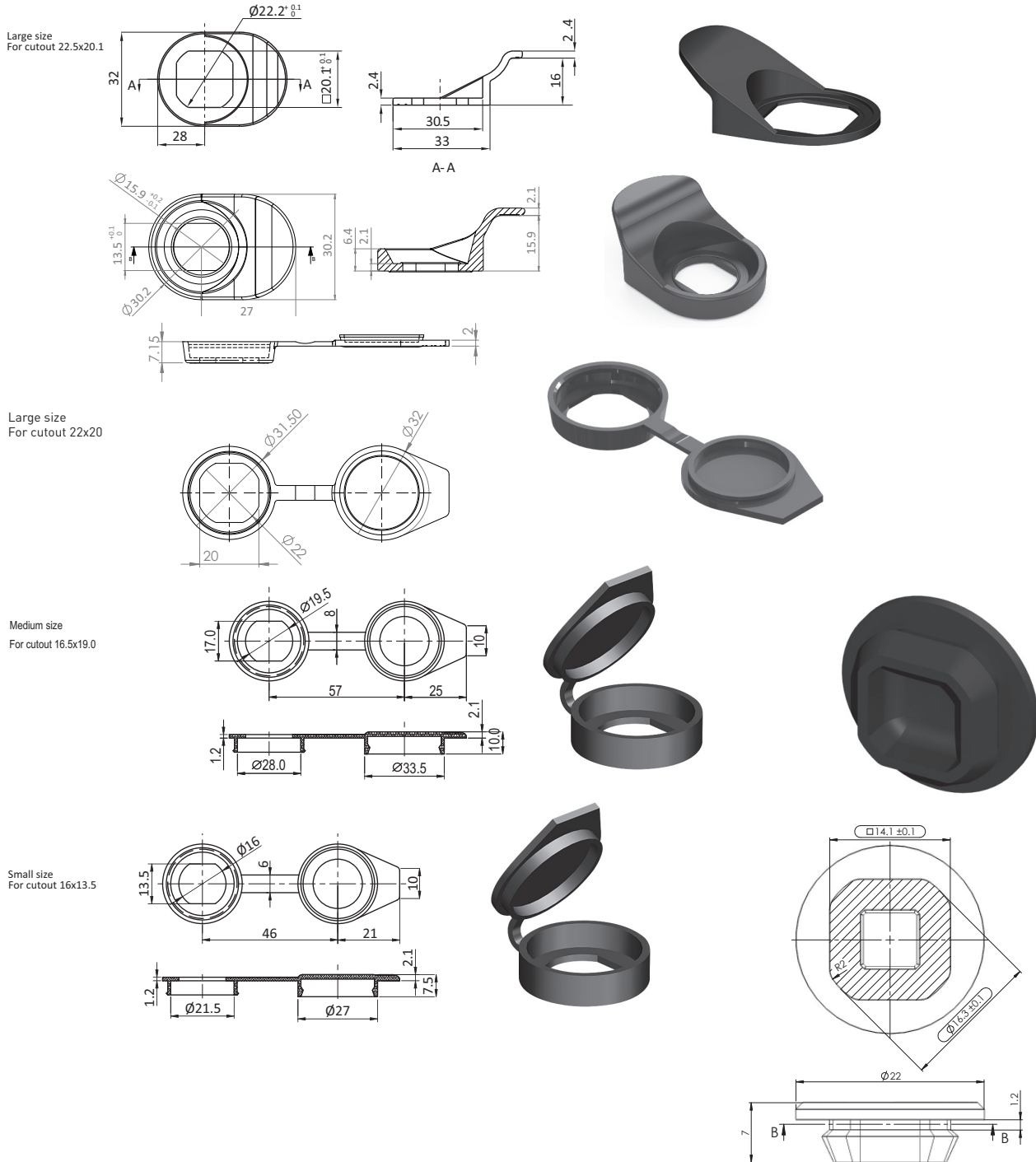
DESCRIPTION	To attach 1/4 turn locks
MATERIAL	Die cast zinc Brass Stainless steel
PACK QUANTITY	10 pieces



Lock Nuts	Version	Die-cast Zinc	Solid Brass	Stainless Steel
	M16		0813412	
	M19	0813408	0813413	
		Grounding teeth	0890058	
M22 x 1.5		No ground	0813410	0890059
		Serrated ground	0813411	

FINGER PULL / COVER

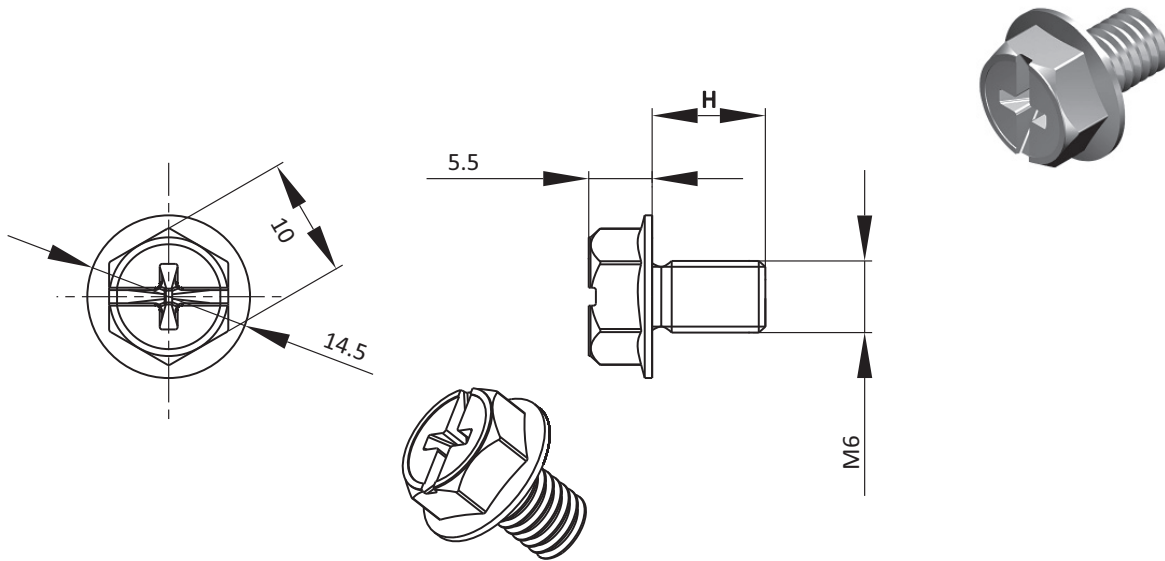
DESCRIPTION	Accessory for 1/4 turn locks
MATERIAL	PA
COLOR	Black



	Large size	Medium size	Small size
Finger Pull	0890034		0890035
Cover	0890036S01	0890037S01	0890037
Plug			0850289

SCREWS

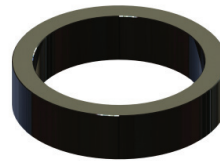
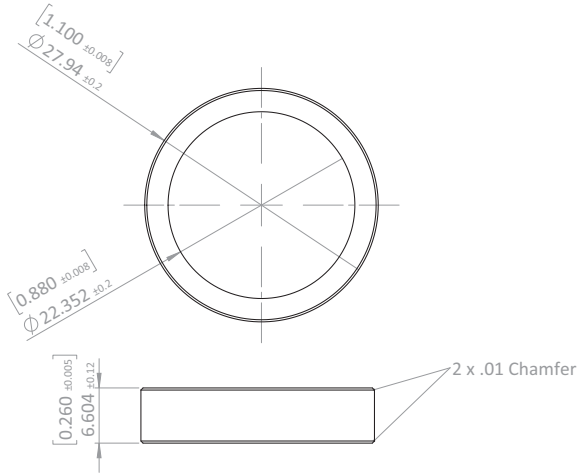
DESCRIPTION	Hardware
MATERIAL	Mild steel
SURFACE	Zinc plated



Screw	Size	Small size
	M5 x 6	0813415
	M5 x 8	0813417
	M5 x 10	0813419
	M5 x 12	0813421
	M5 x 16	0813423
	M5 x 18	0813425
	M6 x 6	0813416
	M6 x 8	0813418
	M6 x 10	0813420
Stainless Steel	M6 x 10 With Blue Loctite	0810127ES01R06
Stainless Steel	M6 x 10	0810127ES01R08
	M6 x 12	0813422
	M6 x 16	0813424
	M6 x 18	0813426

1/4 TURN SPACER

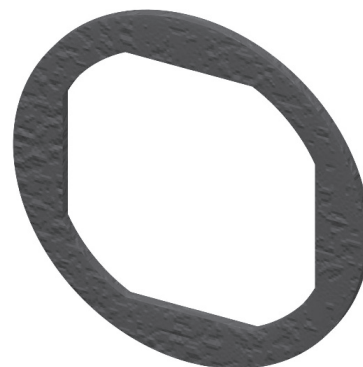
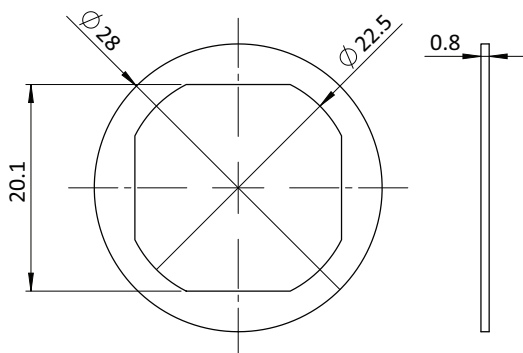
DESCRIPTION	Hardware
MATERIAL	Mild steel
SURFACE	Black Powder



Description	Part #
1/4 Turn Spacer	0814569

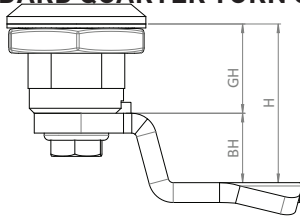
1/4 TURN GASKET

DESCRIPTION	Hardware
MATERIAL	NBR

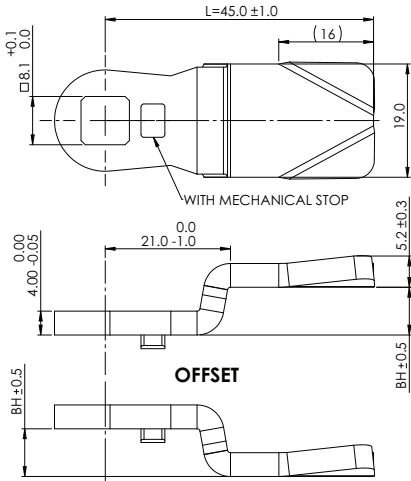


Description	Part #
1/4 Turn Gasket	0810SEAL

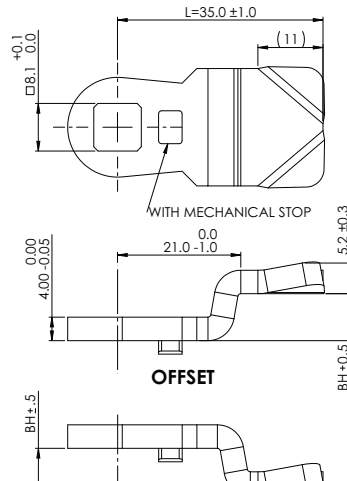
STANDARD QUARTER TURN CAMS



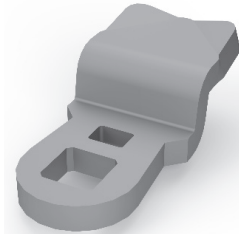
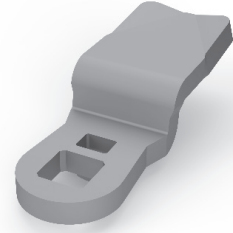
DESCRIPTION	Standard cams for standard quarter turns. Contains 3mm ramps. Cam contains a stop for quarter turns that do not have internal restraints.
MATERIAL	Mild steel, Stainless Steel
SURFACE	Zinc plated
SPECIALS	Other materials and custom cams on request



**REVERSED
STYLE A**

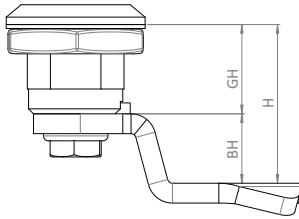


**REVERSED
STYLE B**

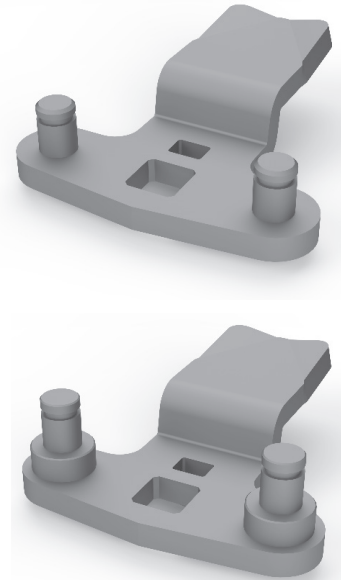
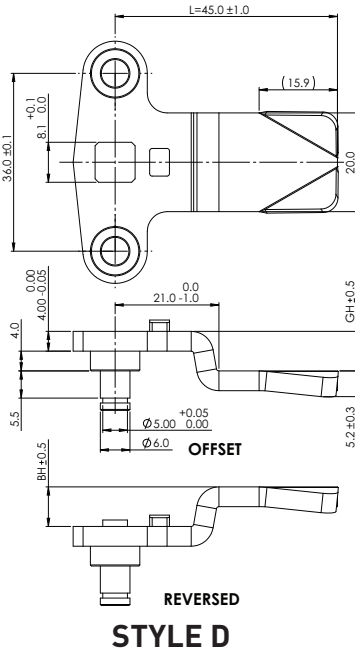
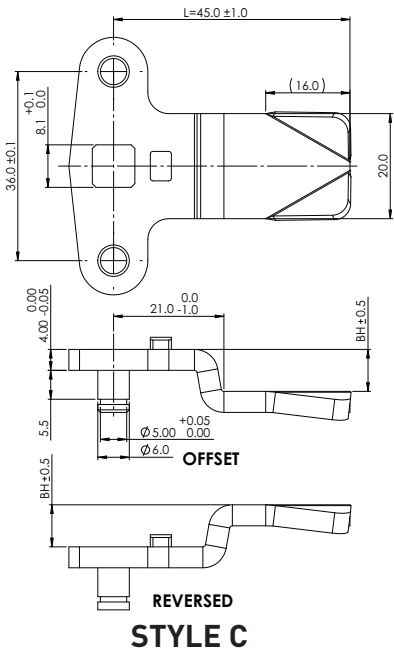


BH	GH = 18 Standard GH = 30 GH = 36 GH = 40 GH = 50 GH = 60						Style A			Style B		
	H = GH + BH						Mild Steel	Stainless Steel	No Stop	Mild Steel	Stainless Steel	No Stop
-16	2	14	20	24	34	44	0810247					
-14	4	16	22	26	36	46	0810248					
-12	6	18	24	28	38	48	0810249	0810249E		0810276		
-10	8	20	26	30	40	50	0810250	0810250E		0810277		
-8	10	22	28	32	42	52	0810251			0810278		
-5	13	25	31	35	45	55	0810252	0810252E		0810279		
-4	14	26	32	36	46	56	0810253	0810253E	0810253S02	0810280		
-2	16	28	34	38	48	58	0810254	0810254E		0810281		
0	18	30	36	40	50	60	0810255	0810255E		0810282		0810282S01
2	20	32	38	42	52	62	0810256	0810256E		0810283	0810283E	
4	22	34	40	44	54	64	0810257	0810257E	0810257S01	0810284	0810284E	0810284S01
6	24	36	42	46	56	66	0810258	0810258E	0810258S01	0810285		
7	25	37	43	47	57	67	0810259		0810259S01	0810286		
8	26	38	44	48	58	68	0810260	0810260E		0810287		0810287S01
10	28	40	46	50	60	70	0810261	0810261E	0810261S01	0810288		
12	30	42	48	52	62	72	0810262	0810262E	0810262S02	0810289		
14	32	44	50	54	64	74	0810263	0810263E				
16	34	46	52	56	66	76	0810264					
17	35	47	53	57	67	77	0810265	0810265E	0810265S01	0810290		
18	36	48	54	58	68	78	0810266	0810266E	0810266S03			
20	38	50	56	60	70	80	0810267	0810267E	0810267S01	0810291		
22	40	52	58	62	72	82	0810268			0810292		
24	42	54	60	64	74	84	0810269		0810269S01	0810293		
26	44	56	62	66	76	86	0810270			0810294		
27	45	57	63	67	77	87	0810271					
29	47	59	65	69	79	89	0810272					
32	50	62	68	72	82	92	0810273					
35	53	65	71	75	85	95	0810274					
37	55	67	73	77	87	97	0810275					

STANDARD QUARTER TURN CAMS



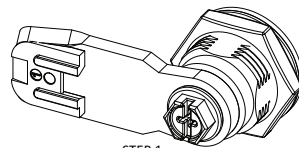
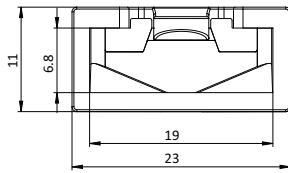
DESCRIPTION	Standard cams for standard quarter turns. Contains 3mm ramps. Cam contains a stop for quarter turns that do not have internal restraints.
MATERIAL	Mild steel, Stainless Steel
SURFACE	Zinc plated
SPECIALS	Other materials and custom cams on request



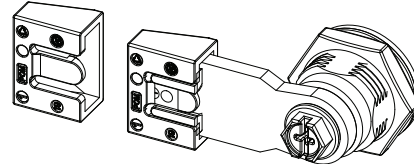
BH	GH = 18 Standard GH = 30 GH = 36 GH = 40 GH = 50 GH = 60						Style C			Style D		
	H = GH + BH						Mild Steel	Stainless Steel	No Stop	Mild Steel	Stainless Steel	No Stop
-14	4	16	22	26	36	46	0810295			0810321		
-12	6	18	24	28	38	48	0810296			0810322		
-10	8	20	26	30	40	50	0810297			0810323		
-8	10	22	28	32	42	52	0810298			0810324	0810324E	
-5	13	25	31	35	45	55	0810299			0810325		
-4	14	26	32	36	46	56	0810300			0810326		
-2	16	28	34	38	48	58	0810301			0810327		
0	18	30	36	40	50	60	0810302			0810328		0810328S01
2	20	32	38	42	52	62	0810303			0810329		0810329S01
4	22	34	40	44	54	64	0810304	0810304E	0810304S01	0810330		
6	24	36	42	46	56	66	0810305	0810305E		0810331		0810331S01
7	25	37	43	47	57	67	0810306			0810332		0810332S01
8	26	38	44	48	58	68	0810307			0810333		0810333S01
10	28	40	46	50	60	70	0810308	0810308E		0810334		
12	30	42	48	52	62	72	0810309	0810309E		0810335		0810335S02
14	32	44	50	54	64	74	0810310	0810310E		0810336		0810336S02
16	34	46	52	56	66	76	0810311			0810337		
17	35	47	53	57	67	77	0810312			0810338		
18	36	48	54	58	68	78	0810313			0810339		
20	38	50	56	60	70	80	0810314		0810314S01	0810340		
22	40	52	58	62	72	82	0810315			0810341		
24	42	54	60	64	74	84	0810316			0810342		
26	44	56	62	66	76	86	0810317			0810343		
27	45	57	63	67	77	87	0810318			0810344		
29	47	59	65	69	79	89	0810319			0810345		
32	50	62	68	72	82	92	0810320			0810346		

CAM SHOE

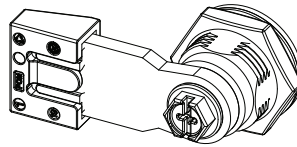
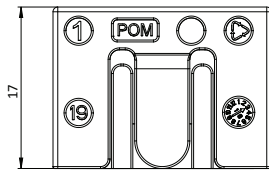
DESCRIPTION	Slide shoe for cam
MATERIAL	POM
SURFACE	BLACK



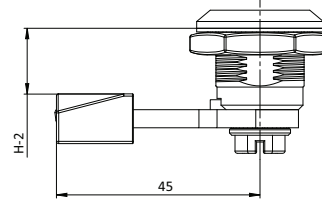
STEP 1
 PLACE THE CAM SHOE CLIP PLATE
 ON THE BACK OF THE CAM



STEP 2
 PUSH THE SLIDE SHOE ONTO THE CAM



STEP 3
 ASSEMBLY COMPLETE



Cam Accessory

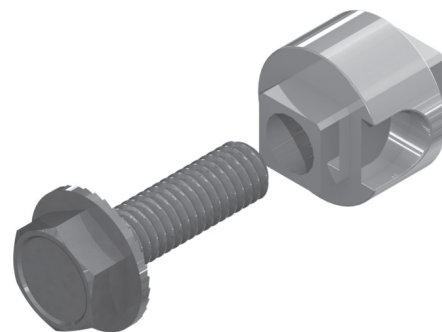
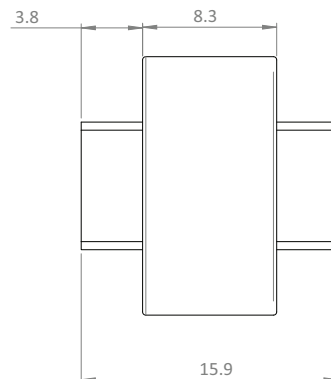
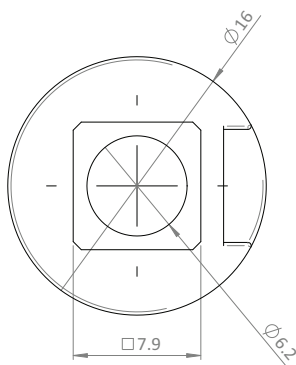
Cam Shoe

Part #

0893001

CAM ADAPTER

DESCRIPTION	For quicker assembly of quarter turns replaces the need for quarter turn mounting nuts. Includes M6 x 23mm screw
MATERIAL	Die cast zinc
SURFACE	Zinc plated



M6 x 20 Hex Washer
 Head Screw with Loctite

Description

Three point cam adapter for rod control

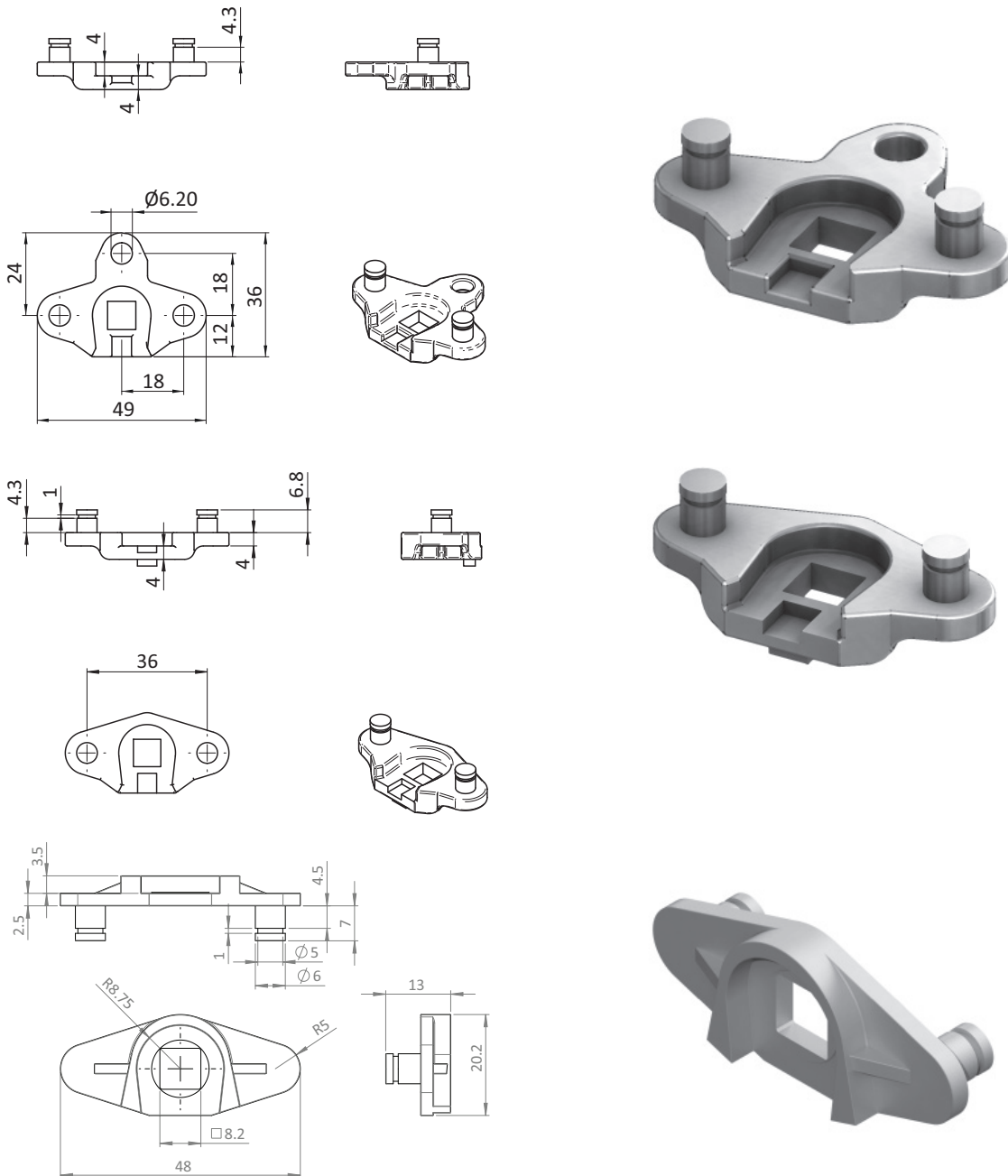
Part #

0850167

FOUR / THREE POINT CAM ADAPTERS

DESCRIPTION	For quicker assembly of quarter turns replaces the need for quarter turn mounting nuts
MATERIAL	Die cast zinc
SURFACE	Zinc plated

Use adapters with Cam styles A and B



Four / Three Point Cam

Part #

Four point cam adapter

0810526

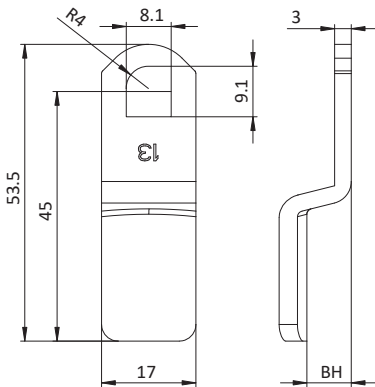
Three point cam adapter

0810527

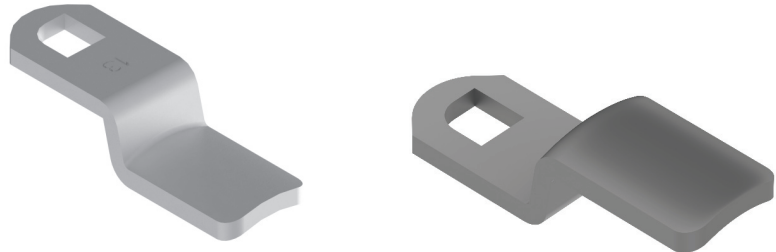
Three point cam adapter with reverse side cam mounting

0810527S01

CUSTOM QUARTER TURN CAMS – STYLE A

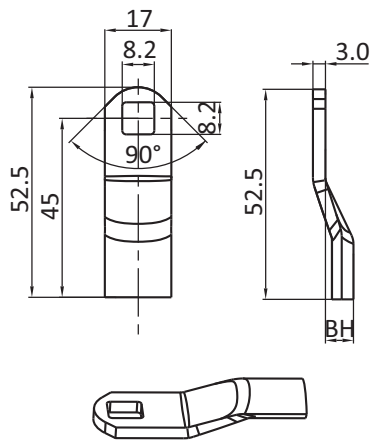


DESCRIPTION	Locks and unlocks both quarter turns and swing handles
MATERIAL	Mild steel
SURFACE	Zinc plated

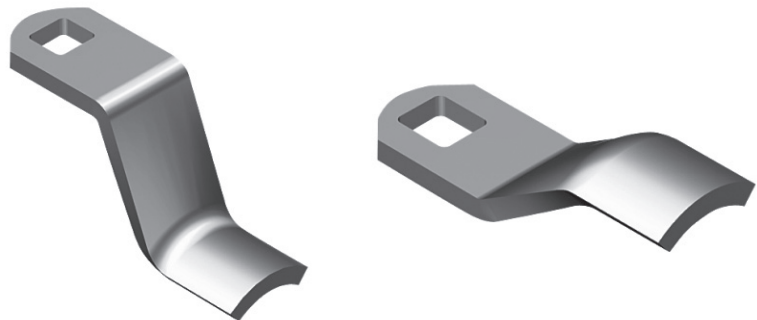


Total grip	Cam offset	Max. outer door Ts for assembled latch	Part #	Total grip	Cam offset	Max. outer door Ts for assembled latch	Part #
				18	2	18	0810677
				20	4	18	0810678
2	-14	1	0810669	22	6	18	0810679
4	-12	3	0810670	24	8	18	0810680
6	-10	5	0810671	26	10	18	0810681
8	-8	6	0810672	28	12	18	0810682
10	-6	6	0810673	30	14	18	0810683
12	-4	6	0810674	32	16	18	0810684
14	-2	6	0810675	34	18	18	0810685
16	0	6	0810676	36	20	18	0810686

CUSTOM QUARTER TURN CAMS – STYLE B



DESCRIPTION	Locks and unlocks both quarter turns and swing handles
MATERIAL	Mild steel
SURFACE	Zinc plated

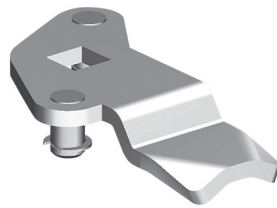
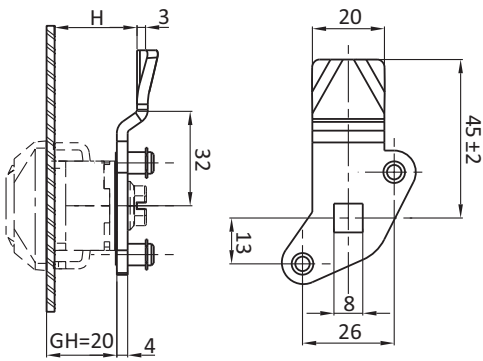


Total grip	Cam offset	Max. outer door Ts for assembled latch	Part #	Total grip	Cam offset	Max. outer door Ts for assembled latch	Part #
15	-18	14	0810688	33	0	18	0810697
17	-16	16	0810689	35	2	18	0810698
19	-14	18	0810690	37	4	18	0810699
21	-12	18	0810691	39	6	18	0810700
23	-10	18	0810692	41	8	18	0810701
25	-8	18	0810693	43	10	18	0810702
27	-6	18	0810694	45	12	18	0810703
29	-4	18	0810695	47	14	18	0810704
31	-2	18	0810696	49	16	18	0810705
				51	18	18	0810706
				53	20	18	0810707

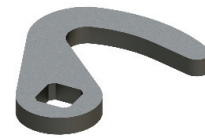
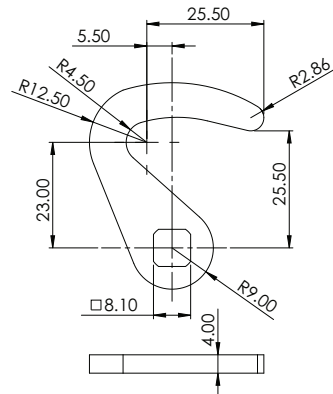
UNIQUE MULTIPOINT QUARTER TURN CAMS

DESCRIPTION	Multi point cams for standard quarter turns. Cam contains a stop for quarter turns that do not have internal restraints
MATERIAL	Mild Steel
SURFACE	Zinc plated
SPECIALS	Other materials and custom cams on request

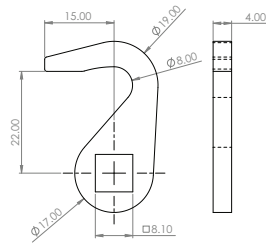
stroke 26mm



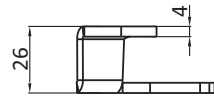
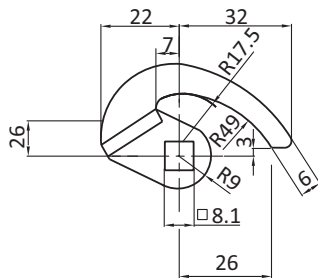
Style A



Style C



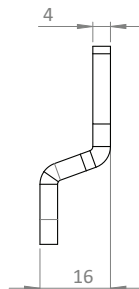
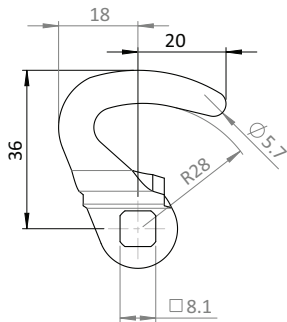
Style B



M.S. zinc plated



Style D

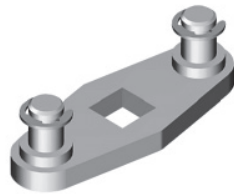
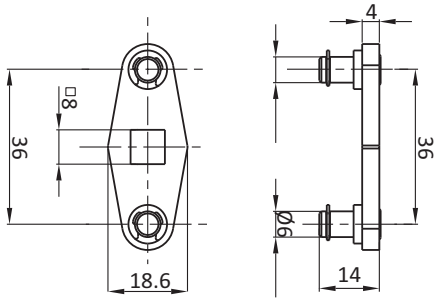


Style E

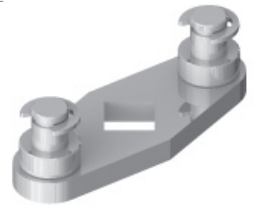
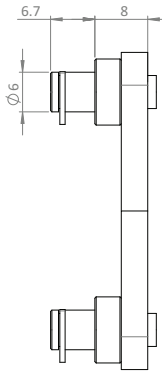
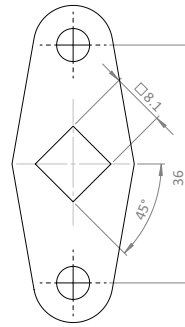
Style	H Dimension (mm)	Part #	
		Left	Right
A	25	0810459	0810460
	27	0810461	0810462
	29	0810463	0810464
	31	0810465	0810466
B		0810711	
C		0810712	
D		0810713	
E		0810712S01	

UNIQUE MULTIPOINT QUARTER TURN CAMS

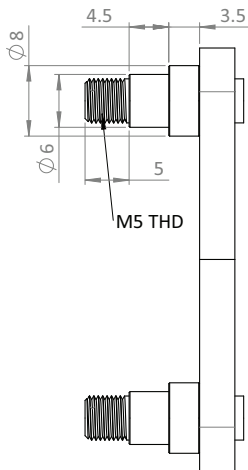
DESCRIPTION	Multi point cams for standard quarter turns. Cam contains a stop for quarter turns that do not have internal restraints
MATERIAL	Mild Steel
SURFACE	Zinc plated
SPECIALS	Other materials and custom cams on request



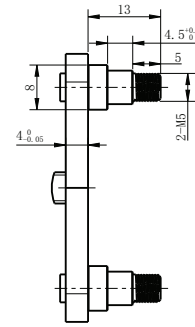
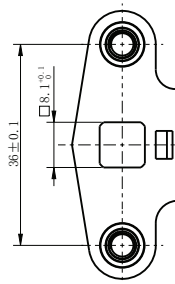
Style A



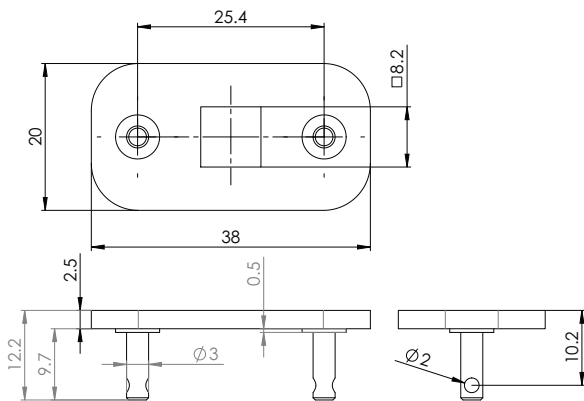
Style B



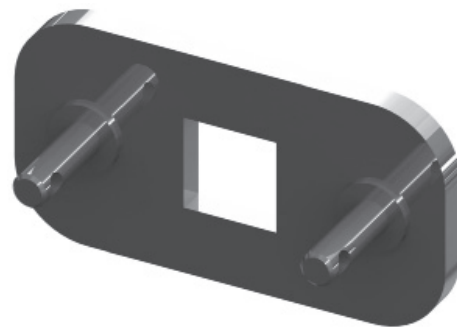
Style C



Style D

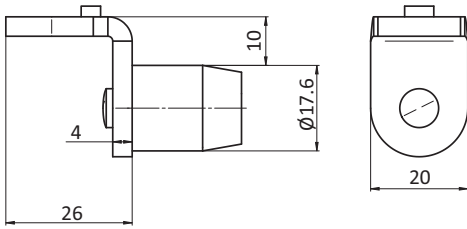


Style E

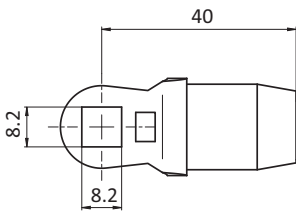


Style	Angle	Part #
A	90 Degree	0810321R01
B	45 Degree	0810709
C	90 Degree	0810710
D	90 Degree with mechanical stop	0810710S01
E	90 Degree	0810396

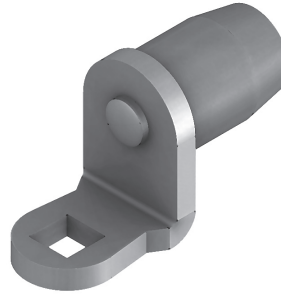
SINGLE POINT ROLLER CAM



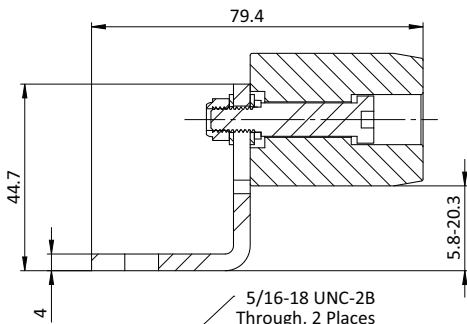
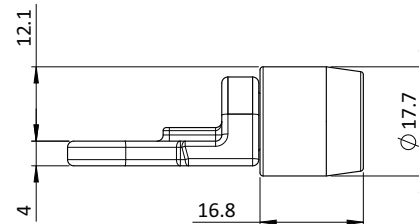
DESCRIPTION	For standard quarter turns, allows larger ramp range and smoother locking
MATERIAL	Cam: mild steel, Cast Stainless steel, Die Cast Zinc Roller: Nylon PA, glass fiber reinforced
SURFACE	Cam: zinc plated, passivated
COLOR	Roller: black



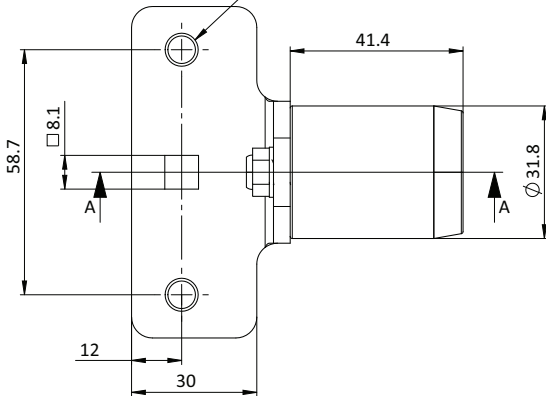
STYLE A



STYLE B



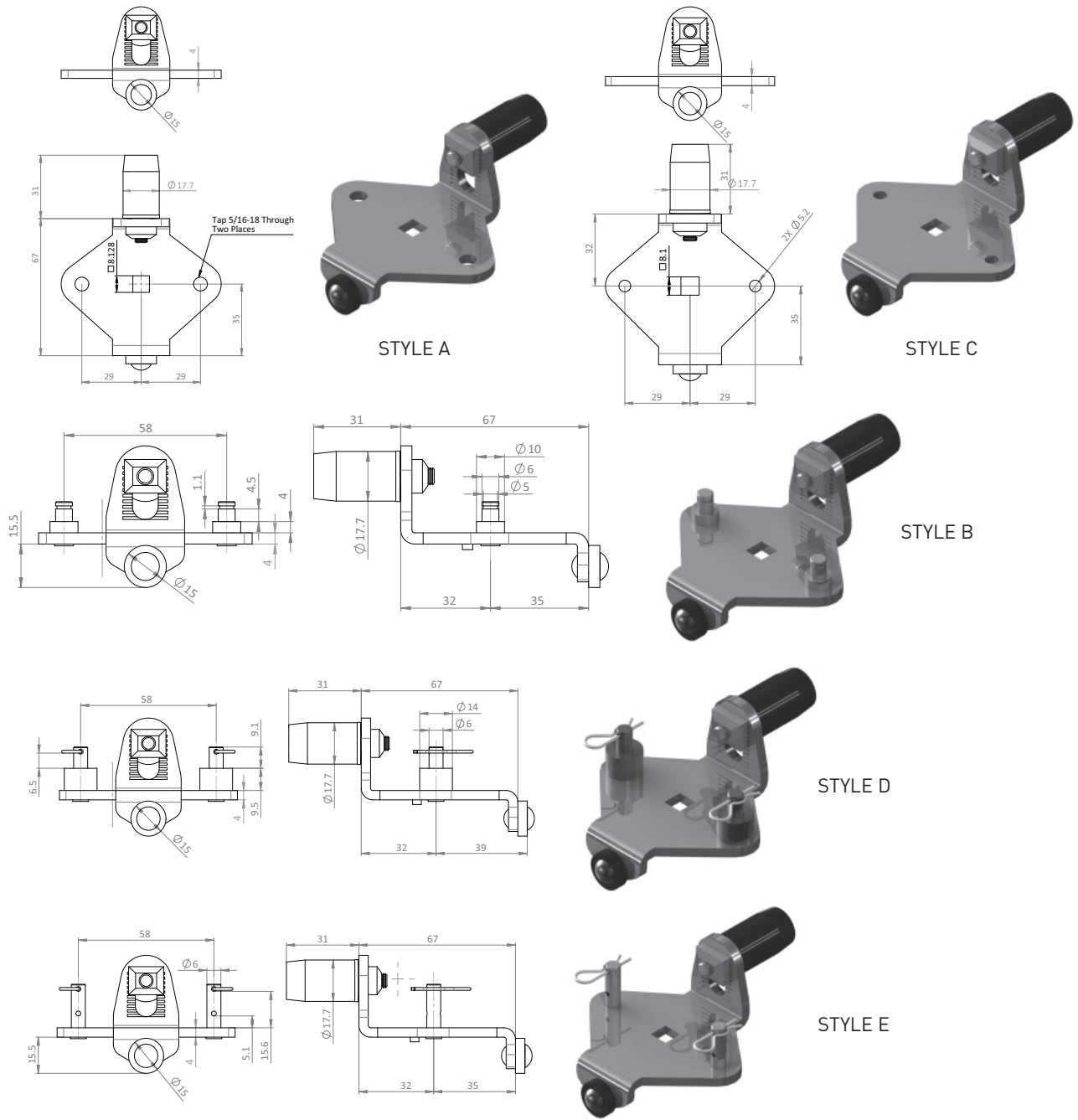
STYLE C



Style	Material	Part #
A	Steel	0810261RC
B	Stainless Steel	0810261RCE
B	Die Cast Zinc	0810249RC
C	Steel	0810274ERC-52

ADJUSTABLE ROLLER CAM

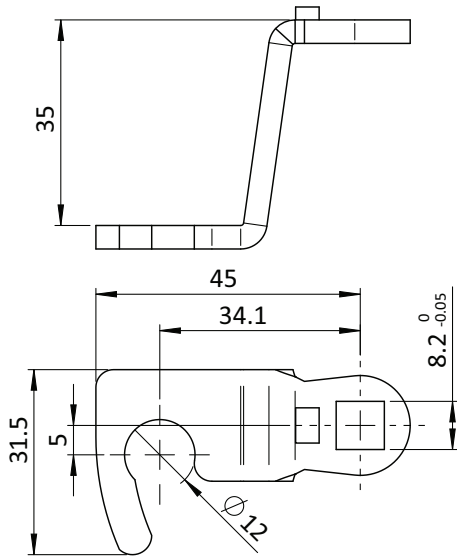
DESCRIPTION	For standard quarter turns, allows larger ramp range and smoother locking
MATERIAL	Cam: mild steel Roller: Nylon PA, glass fiber reinforced
SURFACE	Cam: zinc plated
COLOR	Roller: black



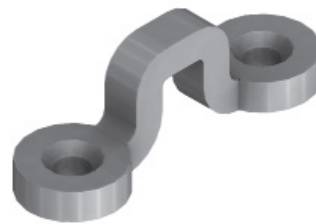
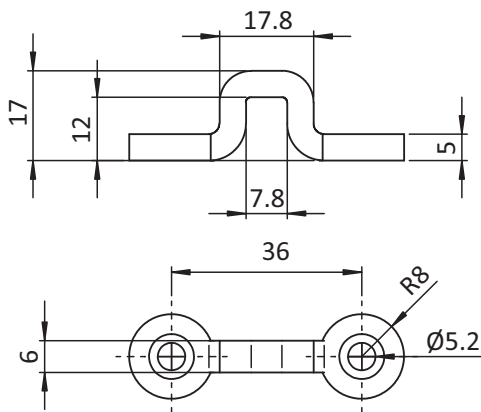
Style	Rod Mounting Type	Part #
A	5/16 - 18 Tapped	0812151RCS01
B	Offset Stud	0812151RCS02
C	Through Hole	0812151RCS03
D	Offset Stud	0812151RCS04
E	Dual Position	0812151RCS05

HOOK CAM QUARTER TURN

DESCRIPTION	Hook Cams for standard quarter turns. Cam contains a stop for quarter turns that do not have internal restraints
MATERIAL	Mild steel Loop: Die-cast zinc
SURFACE	Zinc plated
SPECIALS	Other materials on request



Hooked cam



Bolt-on loop

Hook Cam Quarter Turn

Part #

Hooked cam

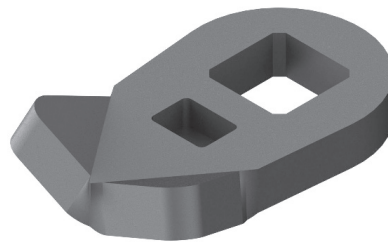
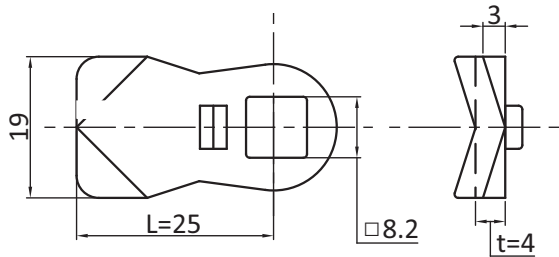
0810377

Bolt-on loop

0820132

SMALL QUARTER TURN CAMS

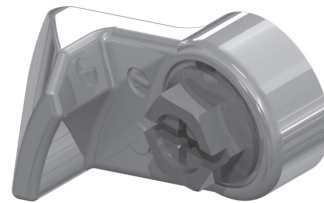
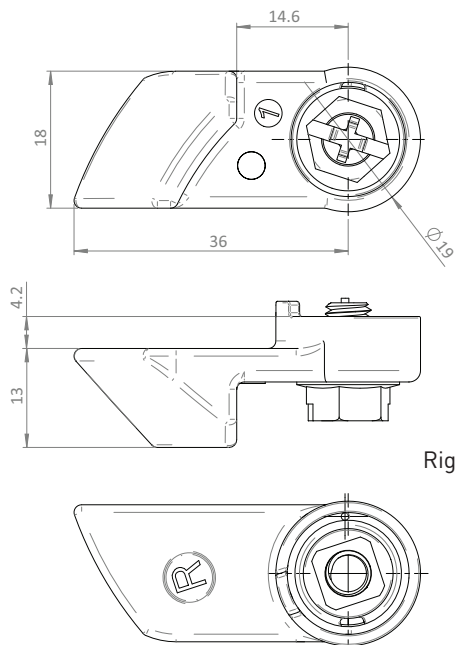
DESCRIPTION	Multi point cams for standard quarter turns. Cam contains a stop for quarter turns that do not have internal restraints
MATERIAL	Mild Steel
SURFACE	Zinc plated
SPECIALS	Other materials and custom cams on request



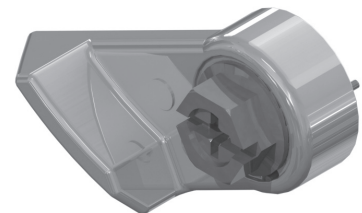
	L [mm]	BH	Part #
	25	0	0810347
	20	0	0813441
No Mechanical Stop	20	0	0813441S01

SLAM CAMS

DESCRIPTION	Slam cams for standard quarter turns. Cam contains a stop for quarter turns that do not have internal restraints
MATERIAL	Die cast - Stainless Steel
SURFACE	Natural
SPECIALS	Other materials and custom cams on request



Right Hand

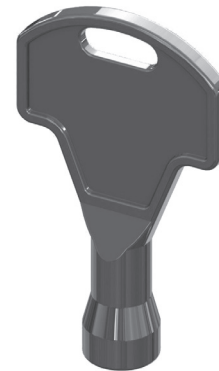
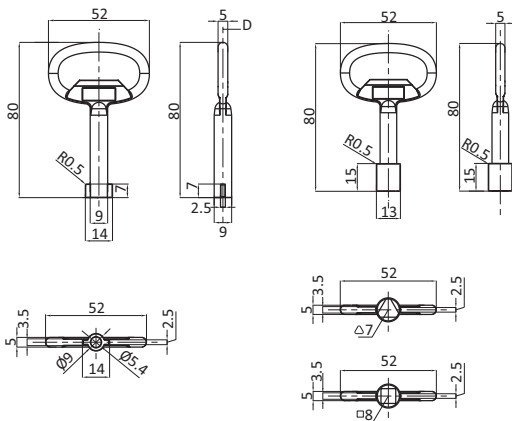


Left Hand

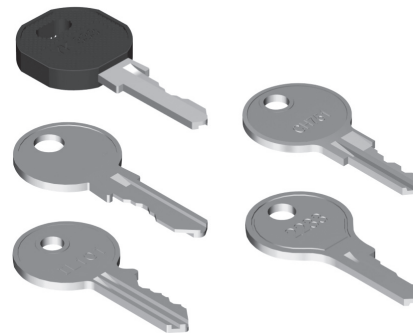
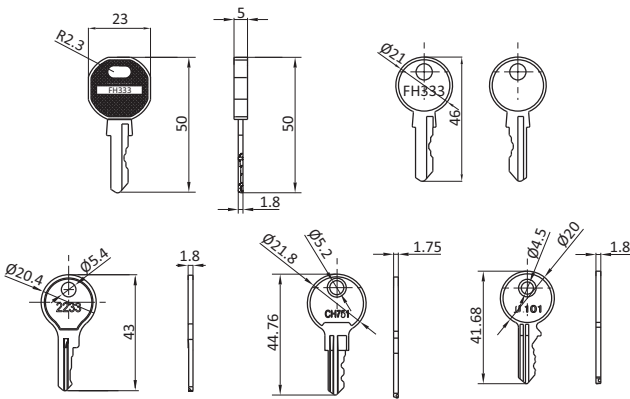
Rotation	Material	Part #
Left	Die Cast Zinc	0850220
Right	Die Cast Zinc	0850221
Left	Stainless Steel	0850222
Right	Stainless Steel	0850223

KEYS

DESCRIPTION	Standard cams for standard quarter turns. Contains 3mm ramps. Cam contains a stop for quarter turns that do not have internal restraints
MATERIAL	Die cast zinc Brass
SURFACE	Zinc plated Chrome plated



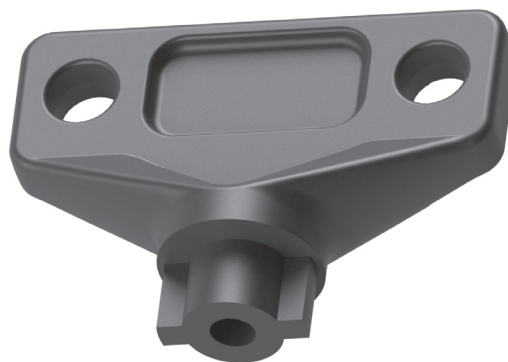
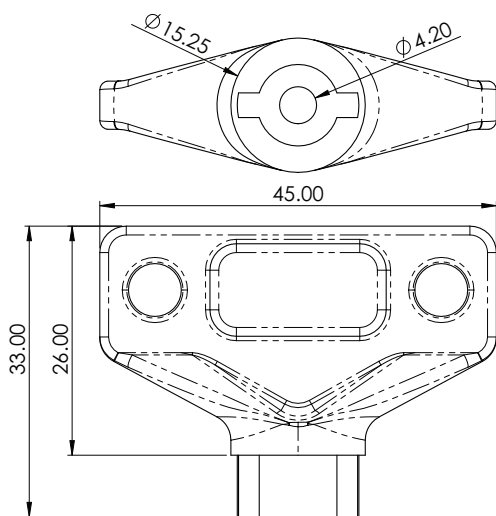
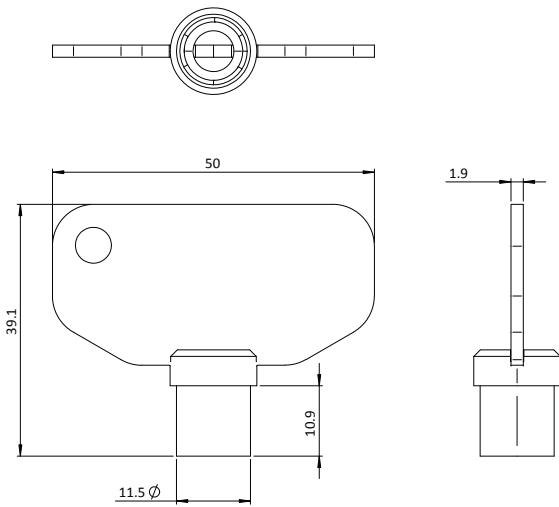
TUBLAR KEY



Key Type	L [mm]	Material	Part #	Black Powder coated	Chrome Plated
Double bit 5mm	80	Die cast zinc		0813427	0890049
	70	Die cast zinc		0813428	0890052
	55	Die cast zinc		0813429	0890055
Triangular 7mm	80	Die cast zinc		089005501	
Triangular 8mm	85	Die cast zinc		0813430	0890050
	75	Die cast zinc		0813431	0890053
	55	Die cast zinc		0813432	0890056
Square 7mm	80	Die cast zinc		0890051501	
Square 8mm	80	Die cast zinc		0813433	0890051
	70	Die cast zinc		0813434	0890054
	55	Die cast zinc		0813435	0890057
FH333		Full brass	0810123R01		
		Stainless Steel	0813569S03		
		PA knob, brass key	0813437		
FH751		Full brass	0810058R01		
FH2233		Full brass	0813439		
FH101		Full brass	0813440		
Hex 7/16	80	Die cast zinc		0850195	
Tublar	45	Die cast Zinc			0814707R01
5/16 Hex with 1/8 Pin	80	Die cast zinc		0850196	
Clean Line	85	316 Stainless Steel	0812150EKEY		

KEYS

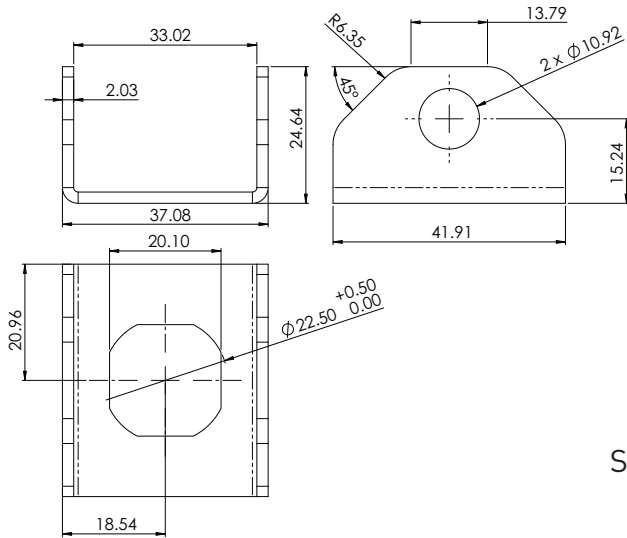
DESCRIPTION	Standard cams for standard quarter turns. Contains 3mm ramps. Cam contains a stop for quarter turns that do not have internal restraints
MATERIAL	Mild Steel PA6 30
SURFACE	Zinc plated



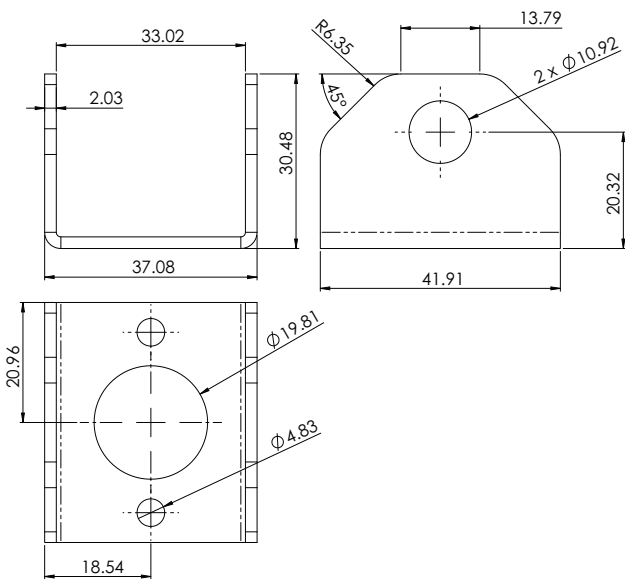
Key Type	Material	Part #
Barrel	Steel	0810239R01
4mm Double Bit	PA6 30	0813438K-4
5mm Double Bit	PA6 30	0813438K-5

PADLOCK DEVICE

DESCRIPTION	Padlock device for quarter turn locks
MATERIAL	304 SS



SMALL

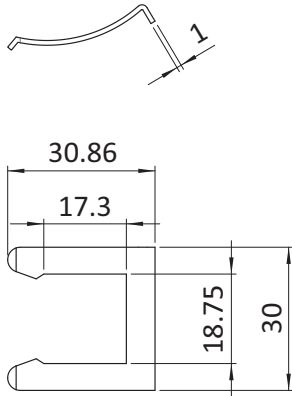


LARGE

Padlock Device		FINISH	Part #
	Small	Passivate	0813442
	Small	Black Powder Coated	0813442-BPC
	Large	Passivate	0813443

QUARTER TURN MOUNTING SPRING CLIP

DESCRIPTION	For quicker assembly of quarter turns replaces the need for quarter turn mounting nuts
MATERIAL	Spring steel



Four / Three Point Cam

Part #

For standard quarter turns for type A

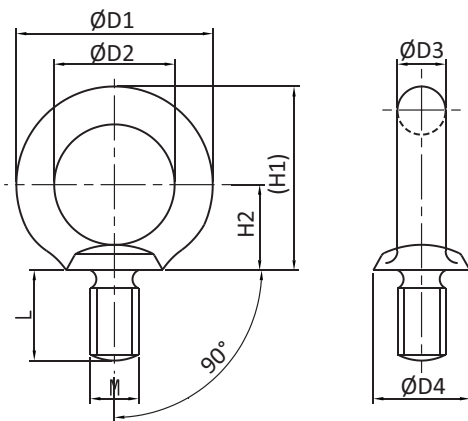
340ME452

For small quarter turns for type A

340ME452S01

EYE BOLTS

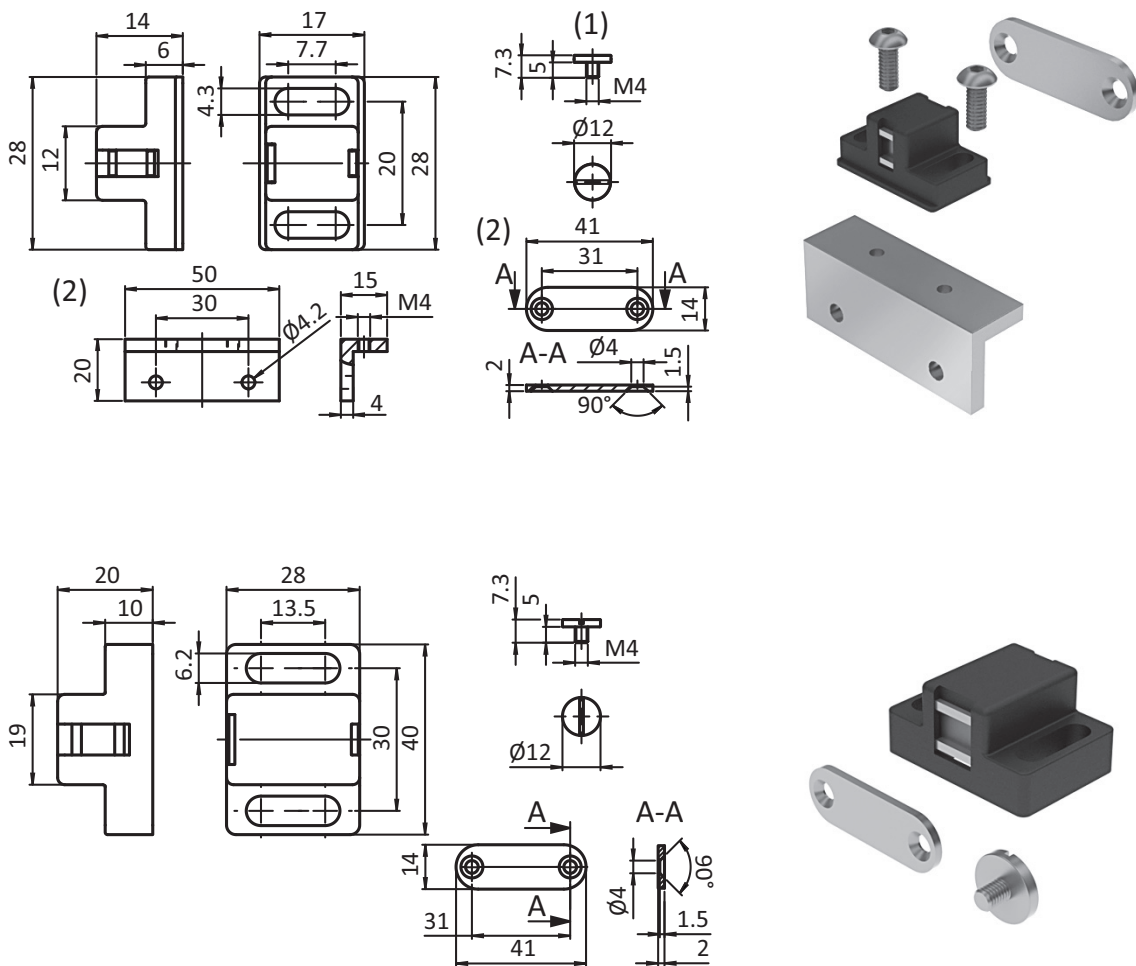
DESCRIPTION	Lifting Enclosures
MATERIAL	Mild Steel, Clear Zinc Plated



L	H1	H2	D1	D2	D3	D4	M Metric	M Imperial	Part #
15	33.3	17	32.6	20	6.3	16	8		0890040
18	41.5	21	41	25	8	20	10		0890041
22	51	26	50	30	10	25	12		0890042
27	60	30	60	35	12.5	30	16		0890043
30	71	35	72	40	16	35	20		0890044
34	84	43	81	44	18	40	22		0890045
38	90	45	90	50	20	45	24		0890046
45	110	55	110	60	25	60	30		0890047
55	131.5	65	133	70	31.5	70	36		0890048
33	44	24	40	24	8	16.5		3/8-16	092EBF3-8ID24S01
39	55	30	50.6	30	10.3	22		1/2-13	092EBF1-2ID30

MAGNETIC CATCH 20

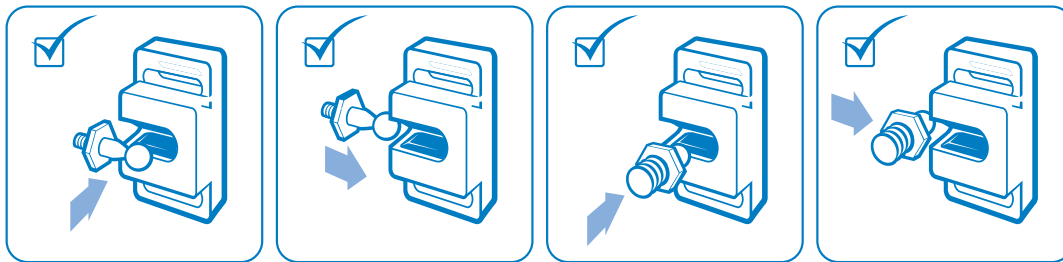
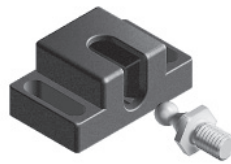
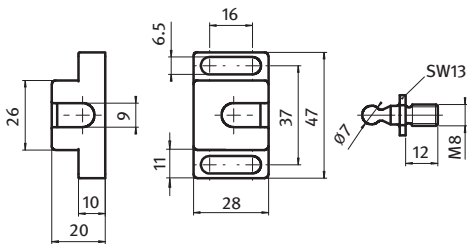
DESCRIPTION	A quick locking device for doors, adaptable to the thickness of the panel units
MATERIAL	Magnetic catch: Nylon PA, glass fiber reinforced Assembly set: Steel Angle bracket: Aluminum
COLOR	Magnetic catch: Black
SET	1 magnetic catch 20, 1 counter plate 14 x 41 x 2 mm, 2 screws DIN 7380 - M4 x 10, 1 angle bracket
PACK QUANTITY	10 pieces
SPECIALS	Electrostatically conductive, other sizes, other colors on request



Mounting Screw	Magnetic Catch	Locking Force	Weight (g)	Part #
M4	Catch 20	Approx. 5 N front / 3 N back	9.0	093094
M4	Catch 20 With 093044R01	Approx. 5 N front / 3 N back	9.0	093046
M6		Approx. 20 N front / 10 N back	45.9	093044

BALL CATCH

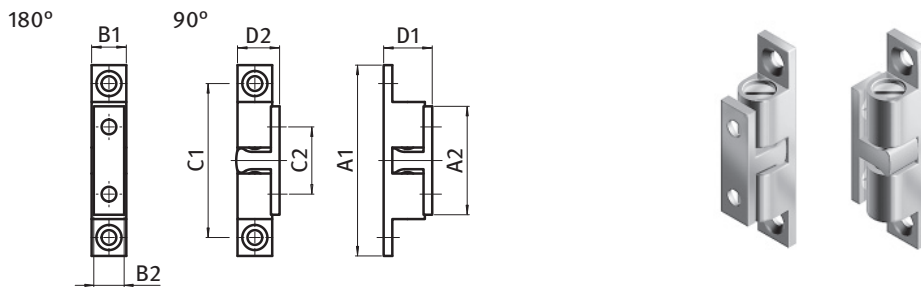
DESCRIPTION	A quick locking device for doors, adaptable to the thickness of the panel units
MATERIAL	Nylon PA, glass fiber reinforced
COLOR	Black
COUNTER SCREW	M8 x 12, zinc plated steel / stainless steel SS 304
FASTENING	Using screws
PACK QUANTITY	10 pieces
SPECIALS	Electrostatically conductive, other sizes, other colors on request



Ball Catch	Locking Force	Counter Screw	Weight [g]	Part #
light	~ 40 N	Zinc-plated steel	45.0	093045
	~ 40 N	Stainless steel	45.0	093045S03
strong	~ 50 N	Zinc-plated steel	45.0	093043
	~ 50 N	Stainless steel	45.0	093043S02

DOUBLE BALL CATCH MS

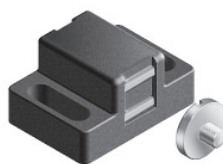
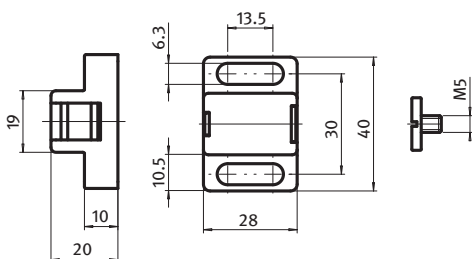
DESCRIPTION	Quick catch for doors, adjustable clamping force, 2 possible positions (sideways / from the front)
MATERIAL	Spring: Stainless steel Ball: Stainless steel Body: Brass
SURFACE	Chrome plated (RoHS compliant)
FASTENING	From the front, using countersunk screws



Screw	A1 [mm]	A2 [mm]	B1 [mm]	B2 [mm]	C1 [mm]	C2 [mm]	D1 [mm]	D2 [mm]	Weight [g]	Part #
M3	44.0	24.7	8.0	6.6	35.0	15.2	11.8	9.7	15.60	0930461
	49.0	28.8	8.8	7.6	39.8	19.8	13.2	10.8	23.60	0930462
M4	60.0	35.0	11.0	9.0	50.0	23.5	15.5	13.5	40.00	0930463
	68.4	40.2	13.0	12.0	58.0	30.0	18.1	15.2	65.00	0930464

MAGNETIC CATCH 40

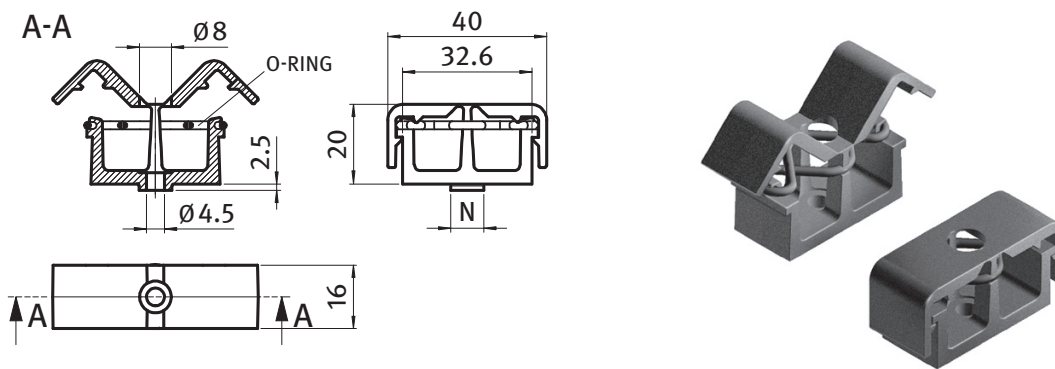
DESCRIPTION	A quick locking device for doors, adaptable to the thickness of the panel units
MATERIAL	Nylon PA, glass fiber reinforced
COLOR	Black
COUNTER PLATE	Pan head screw DIN 921 - M5 x 6, zink-plated steel (other screws on request)
FASTENING	Using screws
PACK QUANTITY	10 pieces
SPECIALS	Electrostatically conductive, other sizes, other colors on request



Magnetic Catch	Locking Force	Weight [g]	Part #
	Approx. 20 N front / 10 N back	39.0	093040

CLIP CABLE BINDER

DESCRIPTION	To fix cables without the need for cable ties, can be opened and closed again
MATERIAL	Clip: Nylon PA Rubber: FPM 70
COLOR	Black
FASTENING	From the front, using M4 lens or socket head screws
PACK QUANTITY	10 pieces
SPECIALS	Electrostatically conductive, other sizes, other colors on request
SPECIALS	Electrostatically conductive, other sizes, other colors on request



Clip Cable Binder

Weight [g]

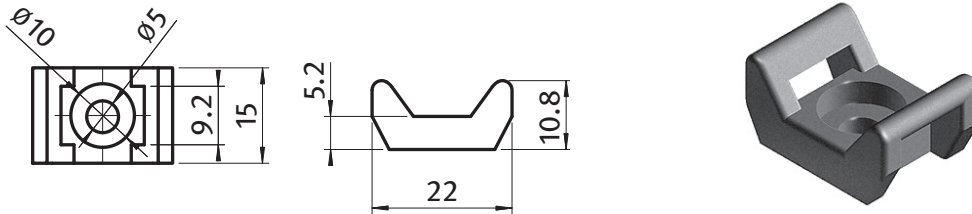
Part #

7.0

093401

UNIVERSAL CABLE BINDING BLOCKS

DESCRIPTION	To secure cables to aluminum profiles; to be mounted with a hammer nut
MATERIAL	Nylon PA, glass fiber reinforced
COLOR	Black
SPECIALS	Other colors on request



Universal Cable Binding Block

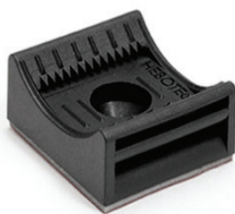
Weight [g]

Part #

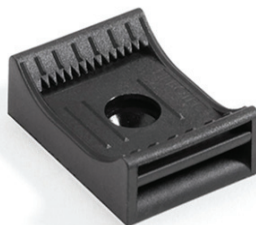
1.6

093059

DESCRIPTION	To secure cables to Sheet Metal Surfaces
MATERIAL	Nylon PA, glass fiber reinforced
COLOR	Black
SPECIALS	Other colors on request



Style A



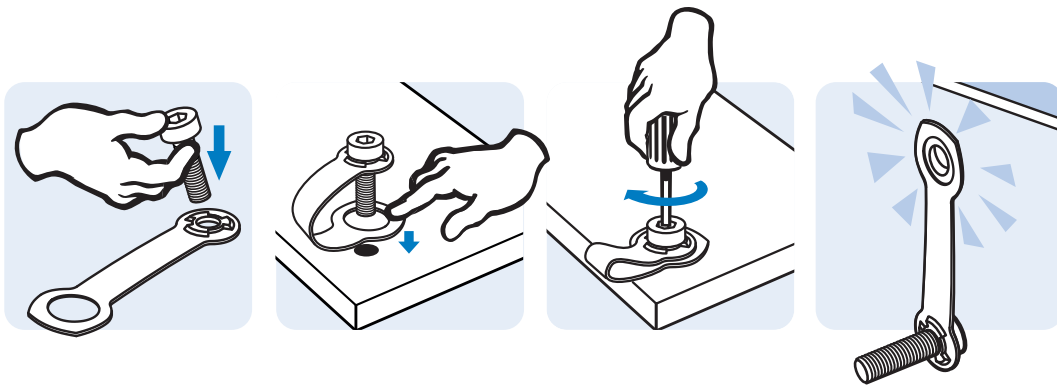
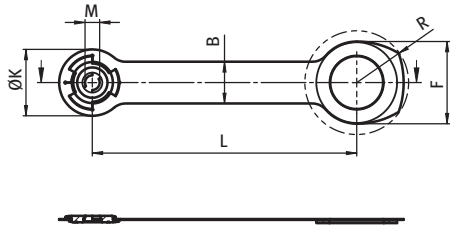
Style B



Custom Quarter Turn Cams	Clamping Range	Notes	Part #
	4-20mm		093813A04
Style A	4-20mm	Includes 10mm Wide Hook-and-Loop @ 150mm Long	093813A04S01
Adhesive Base	8-35mm		093814A45
	8-35mm	Includes 10mm Wide Hook-and-Loop @ 150mm Long	093814A45S01
	4-20mm		093813M04
	4-20mm	Includes 10mm Wide Hook-and-Loop @ 150mm Long	093813M04S01
Style b	8-35mm		093814M45
Screw On Base	8-35mm	Includes 20mm Wide Hook-and-Loop @ 180mm Long	093814M45S01
	10-60mm		093815M45
	10-60mm	Includes 20mm Wide Hook-and-Loop @ 180mm Long	093815M45S01
Hook-and-Loop Tape		10mm Wide x 25 Meter Roll	09380010
		20mm Wide x 25 Meter Roll	09380020

SAFETY STRAP

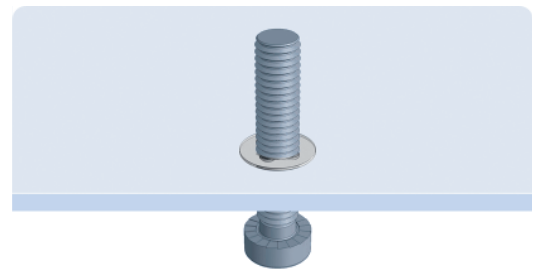
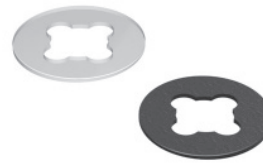
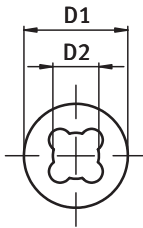
DESCRIPTION	To easily and fastly secure screws, according to Machinery Directive 2006/42/EC
MATERIAL	Strap: Plastic PVC Shim: Nylon PA, glass fiber reinforced
COLOR	Clear / black



	M [mm]	L [mm]	R [mm]	B [mm]	ØK [mm]	F [mm]	Weight [g]	Part #
Safety Strap	6	90.0	34.9	14.2	22.6	28.0	1.0	093VS06
	8	100.0	39.5	18.2	28.2	32.0	1.5	093VS08
	10	110.0	46.7	23.2	33.2	39.0	2.0	093VS10
	12	120.0	46.8	23.2	33.2	29.0	3.0	093VS12
Without print	6	90.0	34.9	14.2	22.6	28.0	1.0	093VS06S01
	8	100.0	39.5	18.2	28.2	32.0	1.5	093VS08S01
	10	110.0	46.7	23.2	33.2	39.0	2.0	093VS10S01
	12	120.0	46.8	23.2	33.2	29.0	3.0	093VS12S01

ANTI-LOSS WASHER

DESCRIPTION	To secure screws to panels
MATERIAL	Nylon PA
COLOR	Natural / black
PACK QUANTITY	1000 pieces
SPECIALS	Other sizes on request

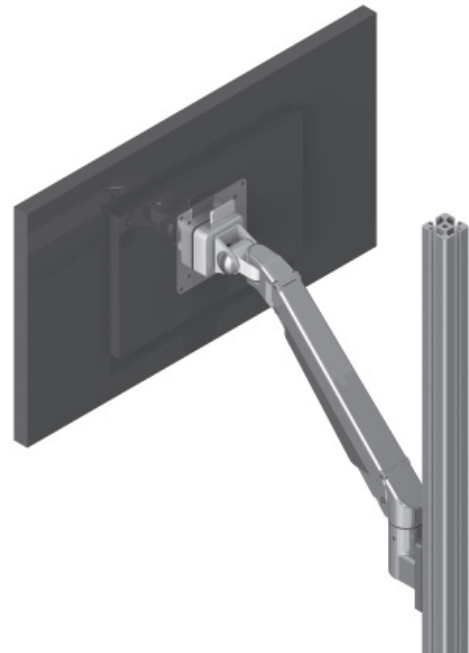
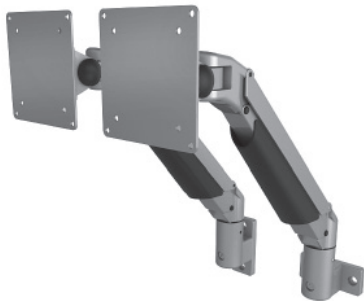
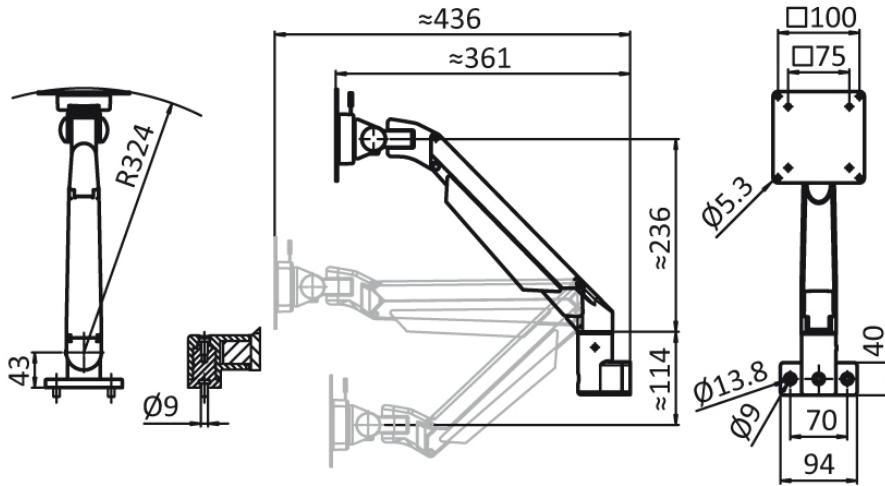


Anti-loss washer	Color	for Screw	D1 [mm]	D2 [mm]	Weight [g]	Part #
	natural	M5	10.0	4.1	1.0	093169
	black	M5	10.0	4.1	1.0	093169SW
	natural	M6	12.0	5.1	1.0	093166
	black	M6	12.0	5.1	1.0	093166SW
	natural	M8	14.0	6.2	1.0	093156

MONITOR ARM 4 AXIS



DESCRIPTION	Adjustable Support for monitors
MATERIAL	Monitor Support: Die cast aluminum Hardware: Steel
COLOR	Monitor Support: Aluminum color powder coated Hardware: Zinc plated

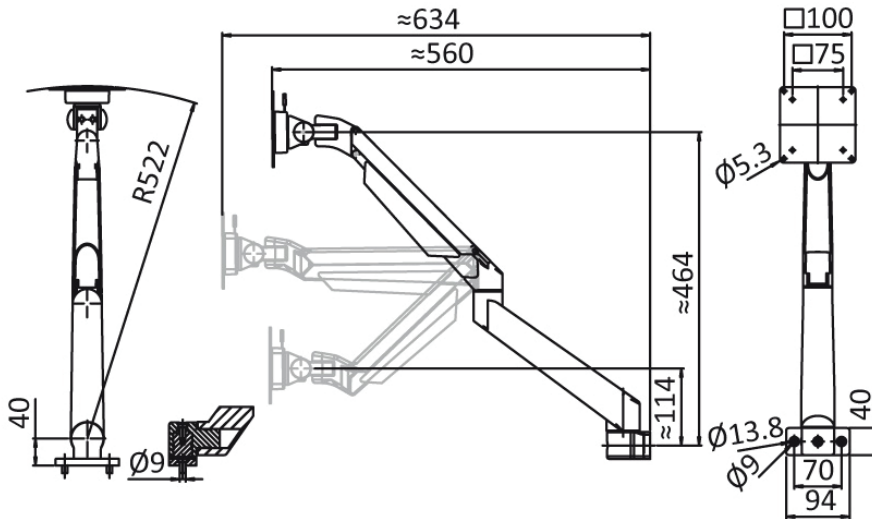


Max Load (kg)	Weight (g)	Profile	Part #
10.00	2200.0	I	6MHM75100S40

MONITOR ARM 5 AXIS



DESCRIPTION	Adjustable Support for monitors
MATERIAL	Monitor Support: Die cast aluminum Hardware: Steel
COLOR	Monitor Support: Aluminum color powder coated Hardware: Zinc plated

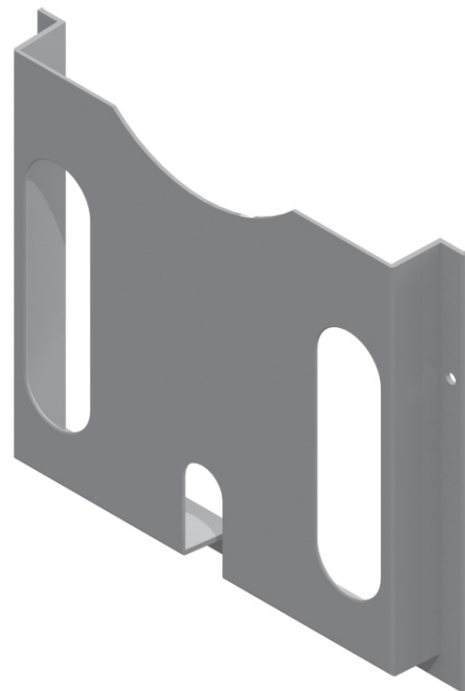
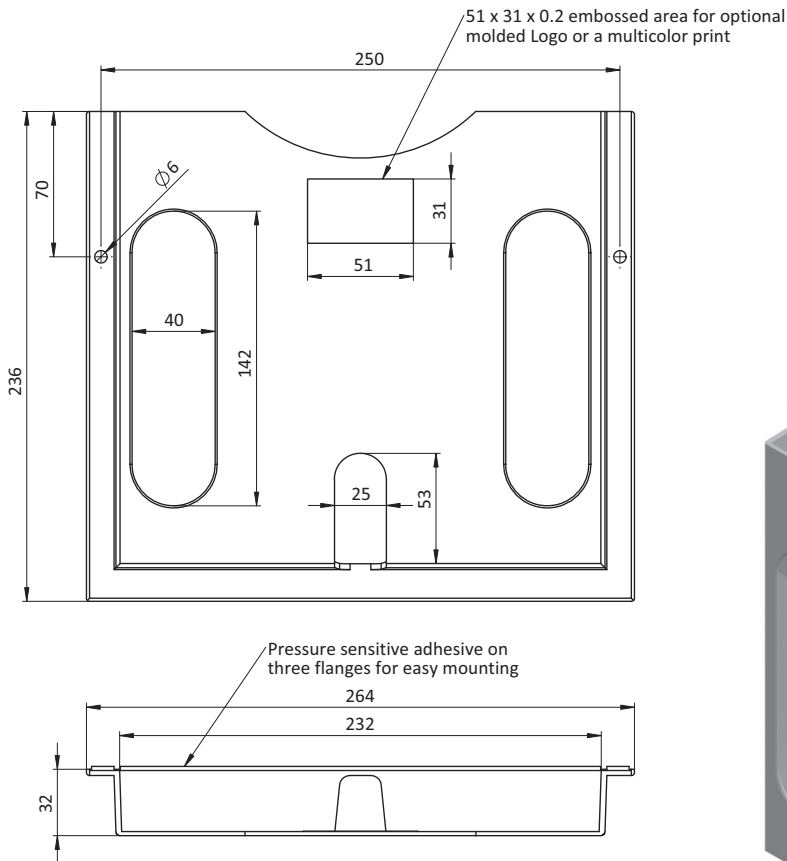


Max Load (kg)	Weight (g)	Profile	Part #
10.00	2550.0	I	6MHM75100D40

DOCUMENT POCKET



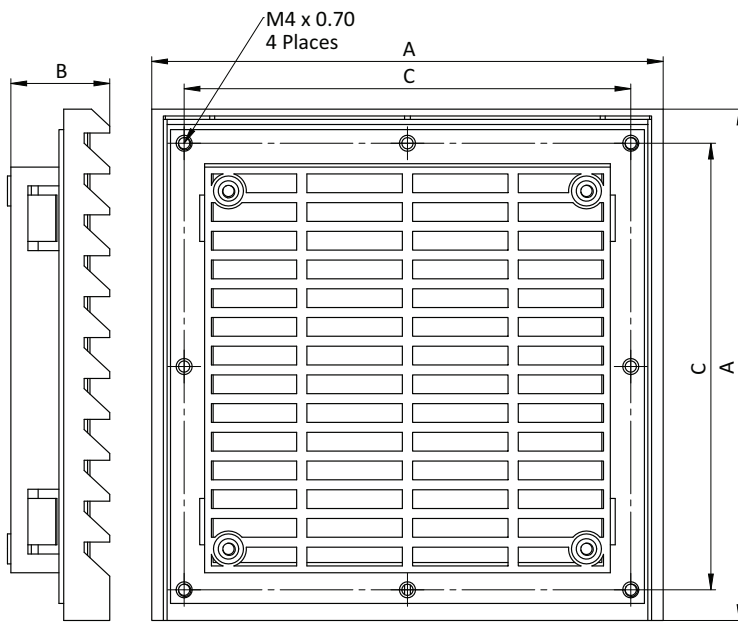
DESCRIPTION	Document storage
MATERIAL	PS HI
COLOR	Grey



Part #
0890211

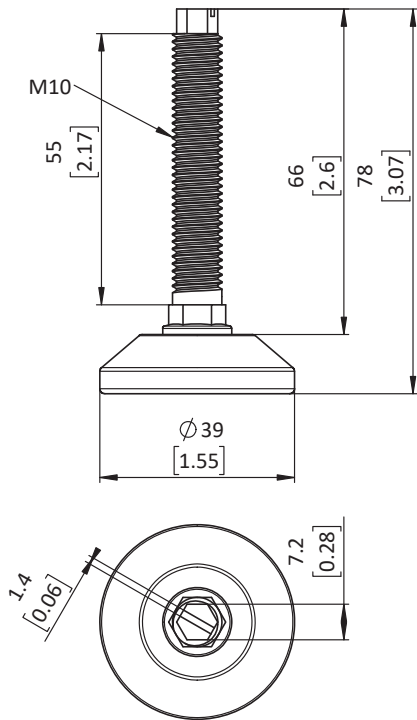
FAN VENTILATOR/FILTER

DESCRIPTION	Fan Vent/Filter
MATERIAL	ABS
COLOR	White

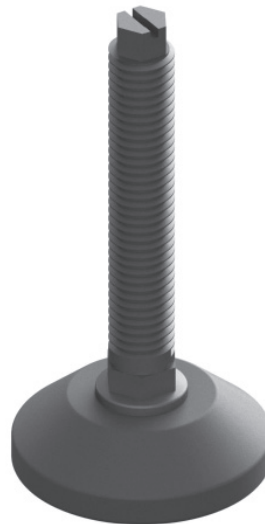


A x A x B	C	Replacement Filter	Part #
150 x 150 x 29	122	0890209-SMR02	0890209-SM
206 x 206 x 29	175	0890209-LGR02	0890209-LG

LEVELING FEET

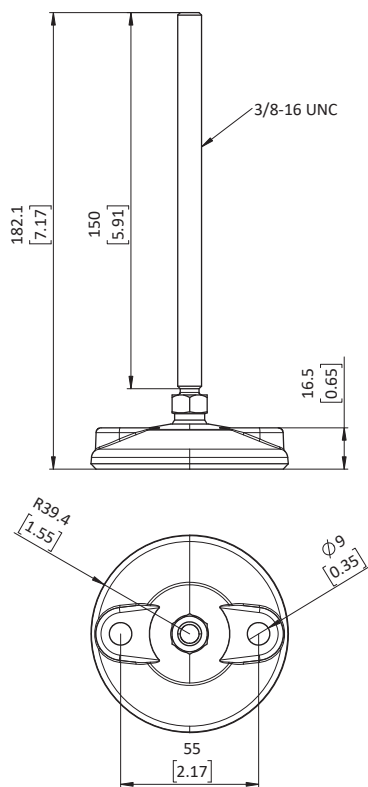


DESCRIPTION	Leveling Foot
MATERIAL	Base: Nylon Threaded Rod: Mild Steel
COLOR	Black



Part #

9A040K10055MS01



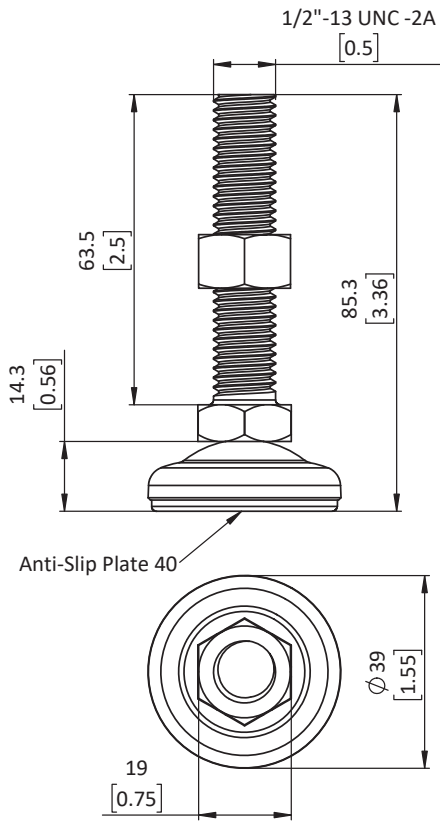
DESCRIPTION	Leveling Foot
MATERIAL	Base: Nylon Threaded Rod: Mild Steel
COLOR	Black



Part #

9D080KB3/8-6MS01

LEVELING FEET



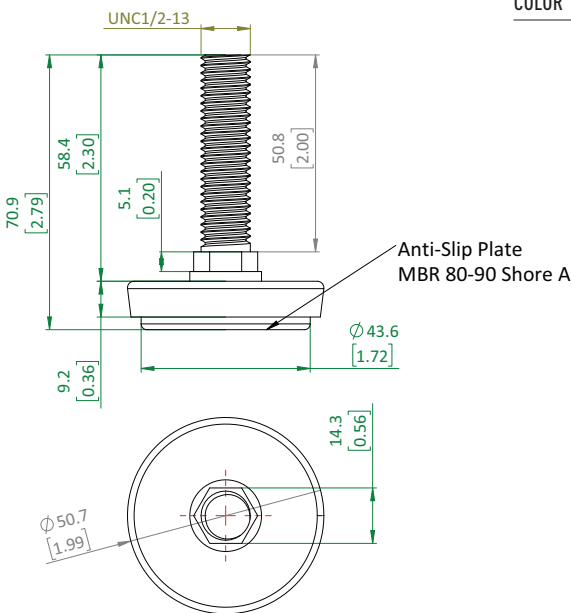
DESCRIPTION	Leveling Foot
MATERIAL	Base: MBR Threaded Rod: Mild Steel
COLOR	Natural



Part #

9E040KGU1/2-2,5MNS01

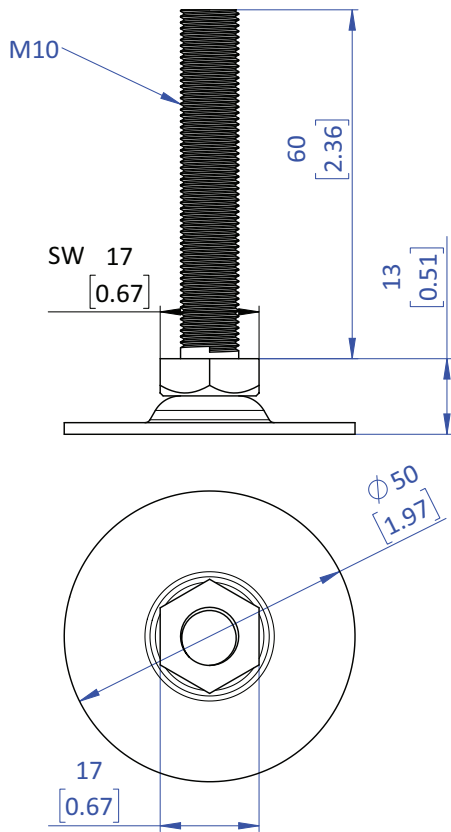
DESCRIPTION	Leveling Foot
MATERIAL	Base: MBR Threaded Rod: Mild Steel
COLOR	Natural



Part #

9SM050ZPG1/2-2M

LEVELING FEET

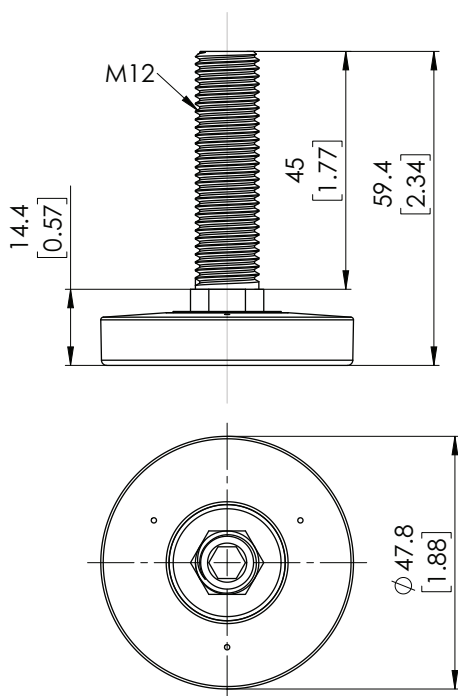


DESCRIPTION	Leveling Foot
MATERIAL	Base: Mild Steel, Threaded Rod: Mild Steel
COLOR	Natural

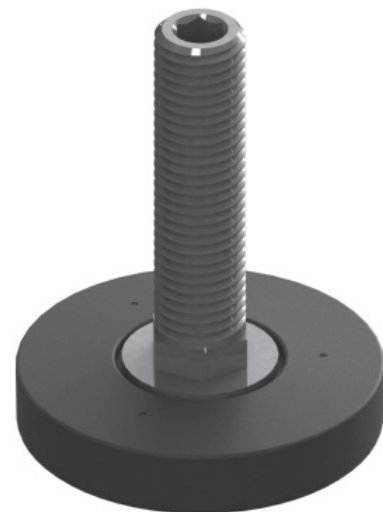


Part #

CP0442005



DESCRIPTION	Leveling Foot
MATERIAL	Base: Nylon Threaded Rod: Mild Steel
COLOR	Black



Part #

CP100361004

INDUSTRIAL HARDWARE

CHAPTER 10: **GASKETS**



MATERIAL PROPERTIES AND ADVANTAGES	268
EDGE PROTECTORS	269
EDGE PROTECTORS	270
EDGE PROTECTORS	271
EDGE SEALING PROFILES	272-279
DOOR SEALING PROFILES	280

MATERIAL PROPERTIES AND ADVANTAGES

PVC (polyvinyl-chloride)

Advantages: PVC is very stable and has an extremely good resistance to weather. It does not corrode and is flame resistant.

Natural Rubber (NR)

Temperature range: -40 to +70 C

Advantages: Good elasticity and mechanical properties. Tear and abrasion resistant, notch toughness and elasticity. Very resistant to compressive set.

Dissadvantages: Medium to low resistance to oil, weather and ozone.

Ethylene-Propylene-Diene Monomer (EPDM)

Temperature range: -50 to +120 C

Advantages: Excellent resistance to weather, aging, ozone, chemicals, hot water and steam. Good chemical resistance to polar fluids such as acetone and methanol. Outstanding electrical insulation properties. Low steam permeability, good thermal resistance.

Dissadvantages: Low resistance to aliphatic and aromatic hydrocarbons. Flammable.

Polychloroprene (CR)

Temperature range: -30 to +90 C

Advantages: Good resistance to aging, weather, ozone. Low flammability rating. High resistance to alternating bending. Medium resistance to oil. Good mechanical properties and elasticity.

Disadvantages: Possibility of crystallization due to continued low temperature exposure.

Nitrile Rubber (NBR)

Temperature range: -20 to +100 C

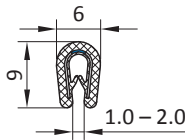
Advantages: High resistance to oil and gasoline. High thermal resistance. Good mechanical resistance and good against compressive set.

Disadvantages: Very low weather and ozone resistance. Low elasticity.

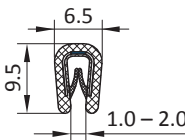


EDGE PROTECTORS

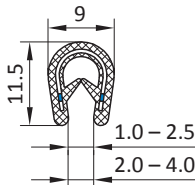
DESCRIPTION	For encasing the edges of panels; with split clamp; self-clamping
MATERIAL	Edge protector: PVC 78 Shore A ☒, PVC 57 Shore A transparent ☒ Clamp: Steel
SPECIALS	Edge protector: Other colors, Butyl sealant on request Clamp: Stainless steel, non-split, single-sided split on request Other cross-sections on request



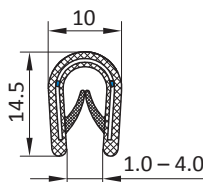
Clamp	Color	Clamping range (mm)	Pack Quant. (m)	Part #
Center bar	black	1.0 – 2.0	100	087EPE01911
Center bar	white	1.0 – 2.0	100	087EPE01931
Center bar	grey	1.0 – 2.0	100	087EPE01711



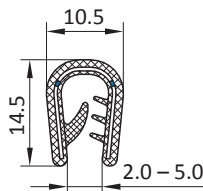
Clamp	Color	Clamping range (mm)	Pack Quant. (m)	Part #
Center bar	black	1.0 – 2.0	100	087EPE02911
Center bar	white	1.0 – 2.0	100	087EPE02931
Center bar	silver	1.0 – 2.0	100	087EPE02941



Clamp	Color	Clamping range (mm)	Pack Quant. (m)	Part #
Double bar	black	1.0 – 2.5	100	087EPE03911
Double bar	black	2.0 – 4.0	100	087EPE03912



Clamp	Color	Clamping range (mm)	Pack Quant. (m)	Part #
Double bar	black	1.0 – 4.0	100	087EPE04911
Double bar	anthracite	1.0 – 4.0	100	087EPE04731
Double bar	light grey	1.0 – 4.0	100	087EPE04721
Double bar	white grey	1.0 – 4.0	100	087EPE04921

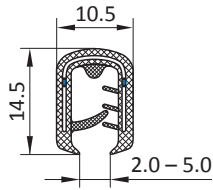


Clamp	Color	Clamping range (mm)	Pack Quant. (m)	Part #
Double bar	black	2.0 – 5.0	100	087EPE05911

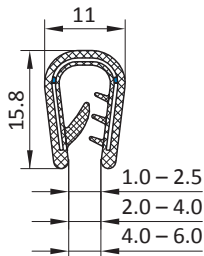


EDGE PROTECTORS

DESCRIPTION	For encasing the edges of panels; with split clamp; self-clamping
MATERIAL	Edge protector: PVC 78 Shore A ☒, PVC 57 Shore A transparent ☒ Clamp: Steel
SPECIALS	Edge protector: Other colors, Butyl sealant on request Clamp: Stainless steel, non-split, single-sided split on request Other cross-sections on request



Clamp	Color	Clamping range [mm]	Pack Quant. [m]	Part #
Double bar	grey	2.0 – 5.0	100	087EPE06711

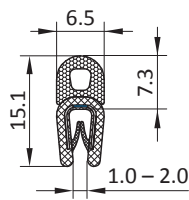


Clamp	Color	Clamping range [mm]	Pack Quant. [m]	Part #
Double bar	black	1.0 – 2.5	100	087EPE07911
Double bar	black	2.0 – 4.0	100	087EPE07912
Double bar	black	4.0 – 6.0	100	087EPE07913

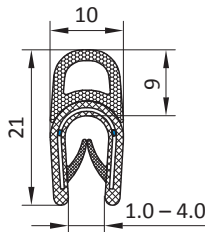


EDGE PROTECTORS

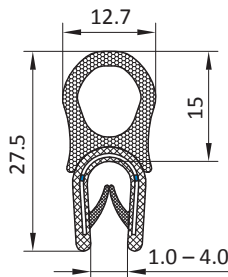
DESCRIPTION	Combination of edge protector and sealing profile; with split clamp; self-clamping
MATERIAL	Edge protector: PVC 78 Shore A ☒, PVC 57 Shore A transparent ☒ Clamp: Steel Sealing profile: Foam rubber EPDM ☒
SPECIALS	Edge protector: Other colors, Butyl sealant on request Sealing profile: Lubricant varnish, flocking, EMC film on request Clamp: Stainless steel, non-split, single-sided split on request Other cross-sections on request



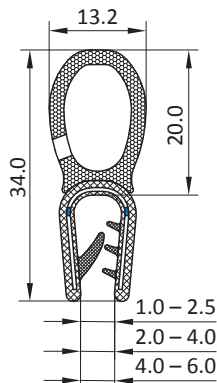
Clamp	Color	Clamping range (mm)	Pack Quant. (m)	Part #
Center bar	black	1.0 – 2.0	100	087SPET01911



Clamp	Color	Clamping range (mm)	Pack Quant. (m)	Part #
Double bar	black	1.0 – 4.0	50	087SPET02911



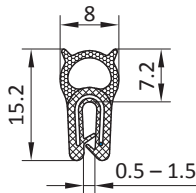
Clamp	Color	Clamping range (mm)	Pack Quant. (m)	Part #
Double bar	black	1.0 – 4.0	50	087SPET03911



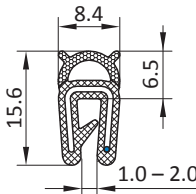
Clamp	Color	Clamping range (mm)	Pack Quant. (m)	Part #
Double bar	black	1.0 – 2.5	50	087SPET04911
Double bar	black	2.0 – 4.0	50	087SPET04912
Double bar	black	4.0 – 6.0	50	087SPET04913

EDGE SEALING PROFILES

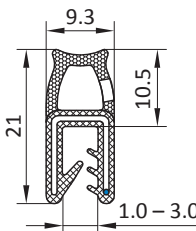
DESCRIPTION	Combination of edge protector and sealing profile; with wire clamp or non-split clamp; self-clamping
MATERIAL	Edge protectors: Soft rubber EPDM or NBR ☒☒☒ Clamp: Steel Sealing profile: Foam rubber EPDM or NBR ☒☒☒
SPECIALS	Edge protectors: Other colors, Butyl sealant on request Sealing profile: Lubricant varnish, flocking, EMC film on request Clamp: Stainless steel, split on request Other cross-sections on request



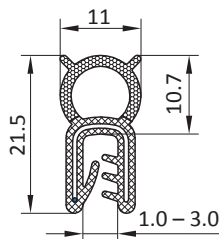
Material	Clamp	Color	Clamp. range [mm]	Pack Quant. [m]	Part #
EPDM / EPDM	wire	black	0.5 – 1.5	2 x 50	087SPET05911



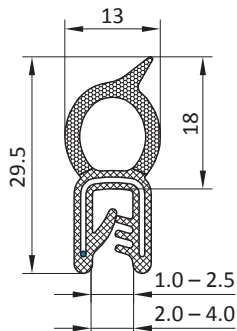
Material	Clamp	Color	Clamp. range [mm]	Pack Quant. [m]	Part #
EPDM / EPDM	wire	black	1.0 – 2.0	2 x 50	087SPET06911



Material	Clamp	Color	Clamp. range [mm]	Pack Quant. [m]	Part #
EPDM / EPDM	Center bar	black	1.0 – 3.0	2 x 50	087SPET07911



Material	Clamp	Color	Clamp. range [mm]	Pack Quant. [m]	Part #
EPDM / EPDM	wire	black	1.0 – 3.0	2 x 50	087SPET08911
SILICONE	wire	blue	1.0 – 3.0	2 x 50	087SPET08911-SI
EPDM / EPDM	wire	blue	1.0 – 3.0	2 x 50	087SPET08911-BL
EMI/EPDM	wire	black	1.0 - 3.0	2 x 50	087SPET08911-EMI
NBR / NBR	wire	black	1.0 – 3.0	2 x 50	087SPET08912

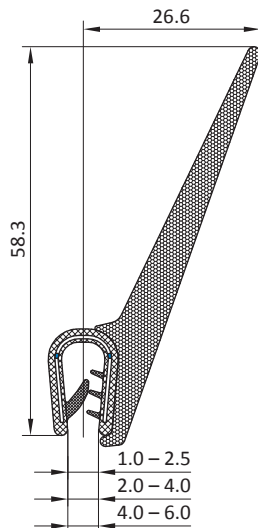
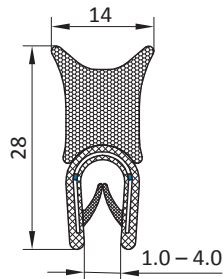
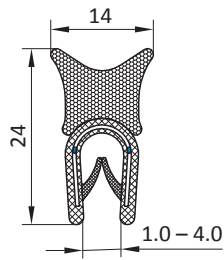


Material	Clamp	Color	Clamp. range [mm]	Pack Quant. [m]	Part #
EPDM / EPDM	wire	black	1.0 – 2.5	2 x 50	087SPET09911
EPDM / EPDM	wire	black	2.0 – 4.0	2 x 50	087SPET09912



EDGE SEALING PROFILES

DESCRIPTION	Combination of edge protector and sealing profile; with wire clamp / split double bar clamp; self-clamping
MATERIAL	Edge protectors: PVC 78 Shore A ☒, PVC 57 Shore A transparent ☒ Clamp: Steel Sealing profile: Foam rubber EPDM ☒
SPECIALS	Edge protectors: Other colors, Butyl sealant on request Sealing profile: Lubricant varnish, flocking, EMC film on request Clamp: Stainless steel, non-split, single-sided split on request Other cross-sections on request



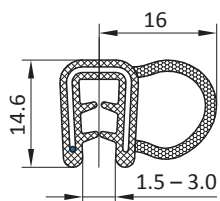
Color	Clamping range [mm]	Pack Quant. [m]	Part #
black	1.0 – 4.0	50	087SPET10911

Color	Clamping range [mm]	Pack Quant. [m]	Part #
black	1.0 – 4.0	50	087SPET11911

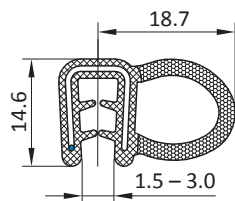
Material	Clamp (2)	Color	Clamp. range [mm]	Pack Quant. [m]	Part #
EPDM / PVC	double bar	black	1.0 – 2.5	25	087SPES16911
EPDM / PVC	double bar	black	2.0 – 4.0	25	087SPES16912
EPDM / PVC	double bar	black	4.0 – 6.0	25	087SPES16913

EDGE SEALING PROFILES

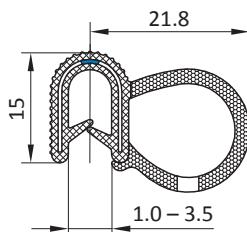
DESCRIPTION	Combination of edge protector and sealing profile; with wire clamp / non-split clamp; self-clamping
MATERIAL	Edge protector: Soft rubber EPDM or CR ☒☒☒ Clamp: Steel Sealing profile: Foam rubber EPDM or CR ☒☒☒
SPECIALS	Edge protector: Butyl sealant on request Sealing profile: Lubricant varnish, flocking, EMC film on request Finishing: Flame resistant, anti-fungal on request Clamp: Stainless steel, split on request Other cross-sections on request



Material	Clamp	Color	Clamp. range (mm)	Pack Quant. (m)	Part #
EPDM / PVC	wire	black	1.5 – 3.0	2 x 50	087SPES02911



Material	Clamp	Color	Clamp. range (mm)	Pack Quant. (m)	Part #
EPDM / EPDM	wire	black	1.5 – 3.0	4 x 25	087SPES03911

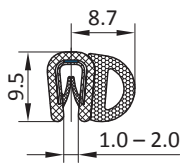


Material	Clamp	Color	Clamp. range (mm)	Pack Quant. (m)	Part #
EPDM / EPDM	Center bar	black	1.0 – 3.5	50	087SPES06911
CR / CR	Center bar	black	1.0 – 3.5	3 x 25	087SPES06912

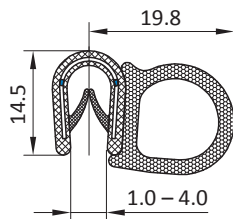


EDGE SEALING PROFILES

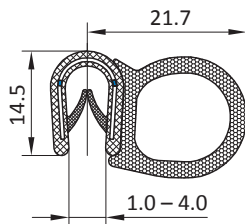
DESCRIPTION	Combination of edge protector and sealing profile; with split clamp; self-clamping
MATERIAL	Edge protector: PVC 78 Shore A ☒, PVC 57 Shore A transparent ☒ Clamp: Steel Sealing profile: Foam rubber EPDM or NBR ☒
SPECIALS	Edge protector: Other colors, Butyl sealant on request Sealing profile: Lubricant varnish, flocking, EMC film on request Clamp: Stainless steel, non-split, single-sided split on request Other cross-sections on request



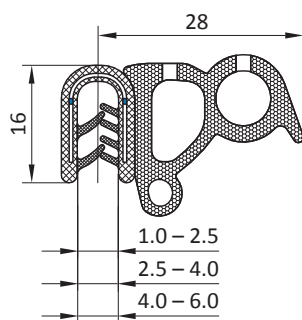
Material	Clamp	Color	Clamp. range [mm]	Pack Quant. [m]	Part #
EPDM / PVC	Center bar	black	1.0 - 2.0	100	087SPES01911



Material	Clamp	Color	Clamp. range [mm]	Pack Quant. [m]	Part #
EPDM / PVC	double bar	black	1.0 - 4.0	50	087SPES04911



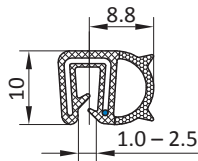
Material	Clamp	Color	Clamp. range [mm]	Pack Quant. [m]	Part #
EPDM / PVC	double bar	black	1.0 - 4.0	50	087SPES05911



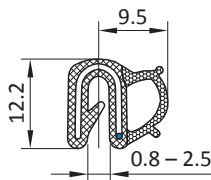
Material	Color	Clamping range [mm]	Pack Quant. [m]	Part #
EPDM / PVC	black	1.0 - 2.5	50	087SPES13911
EPDM / PVC	black	2.5 - 4.0	50	087SPES13912
EPDM / PVC	black	4.0 - 6.0	50	087SPES13913

EDGE SEALING PROFILES

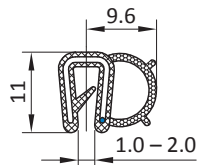
DESCRIPTION	Combination of edge protector and sealing profile; with wire clamp; self-clamping
MATERIAL	Edge protector: Soft rubber EPDM or NBR ☒☒☒ Clamp: Steel Sealing profile: Foam rubber EPDM or NBR ☒☒☒
SPECIALS	Edge protector: Other colors, Butyl sealant on request Sealing profile: Lubricant varnish, flocking, EMC film on request Finishing: Flame resistant, anti-fungal on request Clamp: Stainless steel, split on request Other cross-sections on request



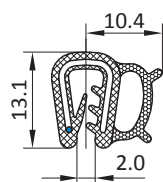
Material	Color	Clamping range [mm]	Pack Quant. [m]	Part #
EPDM / EPDM	black	1.0 – 2.5	100	087SPES07911



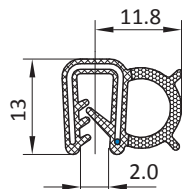
Material	Color	Clamping range [mm]	Pack Quant. [m]	Part #
EPDM / EPDM	black	0,8 – 2.5	2 x 50	087SPES08911



Material	Color	Clamping range [mm]	Pack Quant. [m]	Part #
EPDM / EPDM	black	1.0 – 2.0	2 x 50	087SPES09911



Material	Color	Clamping range [mm]	Pack Quant. [m]	Part #
EPDM / EPDM	black	2.0	2 x 50	087SPES10911

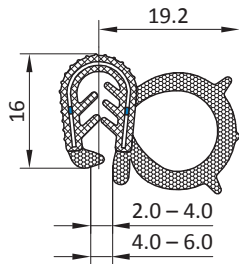


Material	Color	Clamping range [mm]	Pack Quant. [m]	Part #
EPDM / EPDM	black	2.0	2 x 50	087SPES11911
SILICONE	blue	2.0	2 x 50	087SPES11911-SI
EPDM / EPDM	blue	2.0	2 x 50	087SPES11911-BL
EPDM / EMI	black	2.0	2 x 50	087SPES11911-EMI
NBR / NBR	black	2.0	2 x 50	087SPES11912



EDGE SEALING PROFILES

DESCRIPTION	Combination of edge protector and sealing profile; with split double bar clamp; self-clamping
MATERIAL	Edge protector: Soft rubber EPDM or PVC 78 Shore A ☒ Clamp: Steel Sealing profile: Foam rubber EPDM ☒
SPECIALS	Edge protector: Other colors, Butyl sealant on request Sealing profile: Lubricant varnish, flocking, EMC film on request Finishing: Flame resistant, anti-fungal on request Clamp: Stainless steel, split on request Other cross-sections on request

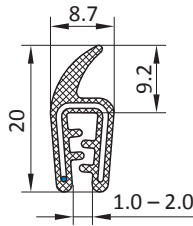


Material	Color	Clamping range [mm]	Pack Quant. [m]	Part #
EPDM / EPDM	black	2.0 – 4.0	3 x 25	087SPES12911
EPDM / EPDM	black	4.0 – 6.0	3 x 25	087SPES12912

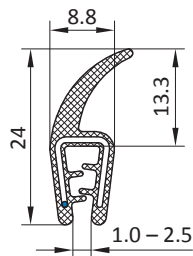


EDGE SEALING PROFILES

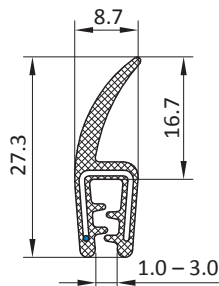
DESCRIPTION	Edge sealing profile; with wire clamp; self-clamping
MATERIAL	Edge protector- /sealing profile: soft rubber EPDM ☒ Clamp: Steel
SPECIALS	Edge protector: Other colors, Butyl sealant on request Finishing: Flame resistant, anti-fungal on request Sealing profile: Lubricant varnish, flocking, EMC film on request Clamp: Stainless steel on request



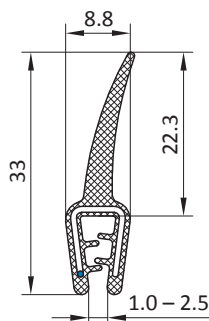
Color	Clamping range [mm]	Pack Quant. [m]	Part #
black	1.0 – 2.0	2 x 50	087SPET12911



Color	Clamping range [mm]	Pack Quant. [m]	Part #
black	1.0 – 2.5	3 x 50	087SPET13911



Color	Clamping range [mm]	Pack Quant. [m]	Part #
black	1.0 – 3.0	2 x 50	087SPET14911

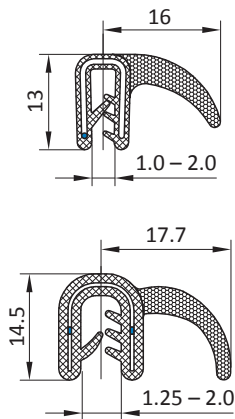


Color	Clamping range [mm]	Pack Quant. [m]	Part #
black	1.0 – 2.5	50	087SPET15911



EDGE SEALING PROFILES

DESCRIPTION	Combination of edge protector and sealing profile; with wire clamp or split double bar clamp; self-clamping
MATERIAL	Edge protector: soft rubber EPDM or PVC 78 Shore A , PVC 57 Shore A transparent Clamp: Steel Sealing profile: Foam rubber EPDM
SPECIALS	Edge protector: Other colors, Butyl sealant on request Sealing profile: Lubricant varnish, flocking, EMC film on request Clamp: Split, non-split, single-sided split on request



Material	Clamp	Color	Clamp. range [mm]	Pack Quant. [m]	Part #
EPDM / EPDM	wire	black	1.0 – 2.0	2 x 50	087SPES14911

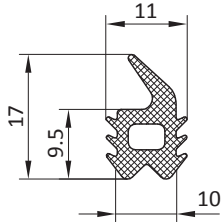
Material	Clamp (1)	Color	Clamp. range [mm]	Pack Quant. [m]	Part #
EPDM / EPDM	double bar	black	1,25 – 2.0	2 x 50	087SPES15911

(1) single-sided split

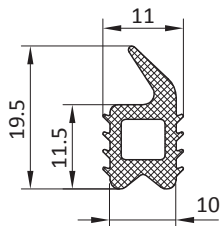


DOOR SEALING PROFILES

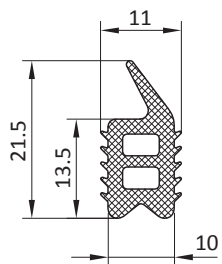
DESCRIPTION	For sealing doors and flaps; installed by pressing into 10 mm groove or sealing channel
MATERIAL	PVC 57 Shore A
SPECIALS	Other colors on request



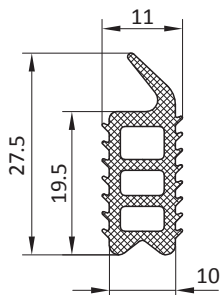
Color	Pack Quant. [m]	Part #
black	7 x 20	087SPST01911



Color	Pack Quant. [m]	Part #
black	7 x 20	087SPST02911



Color	Pack Quant. [m]	Part #
black	7 x 20	087SPST03911



Color	Pack Quant. [m]	Part #
black	5 x 20	087SPST04911

INDUSTRIAL HARDWARE

CHAPTER 11: **HANDLES**

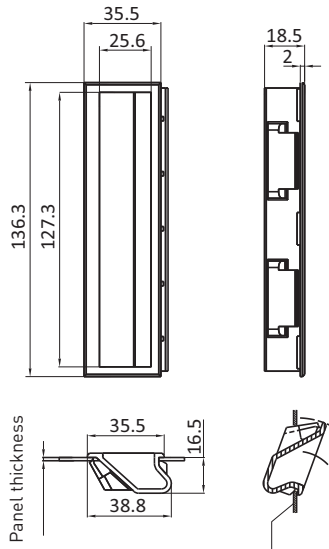


POCKET PULL HANDLES	282-285
CONCEALED PULL HANDLE	286
U SHAPE HANDLES	287
FOLDING HANDLES	288
SPECIAL HANDLES	288
U SHAPE HANDLES	289
COMFORT HANDLE	290
MACHINE HANDLE 240	291
MACHINE HANDLE 135	291
U SHAPE HANDLES	292
TUBES FOR SYSTEM HANDLE	293
END PIECES FOR SYSTEM HANDLE	294
HANDLE	295

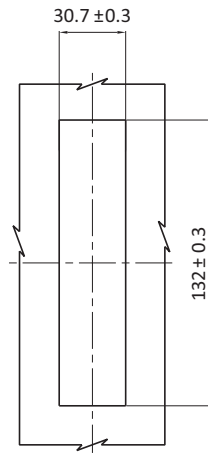
POCKET PULL HANDLES

DESCRIPTION	Concealed handle to mount on flaps and doors
MATERIAL	ABS
COLOR	Black

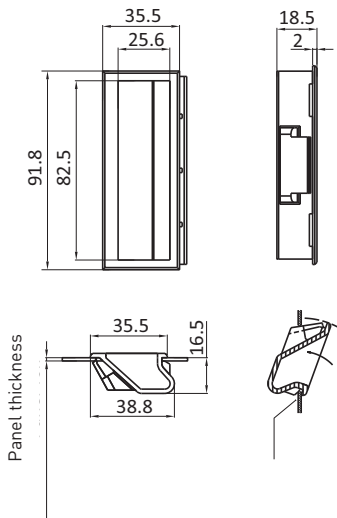
Large size



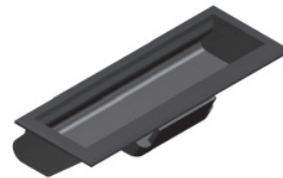
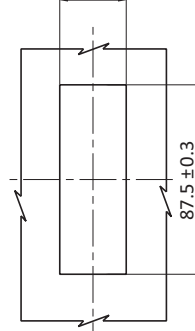
Panel cutout



Small size



Panel cutout

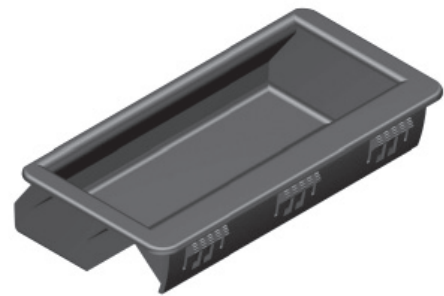
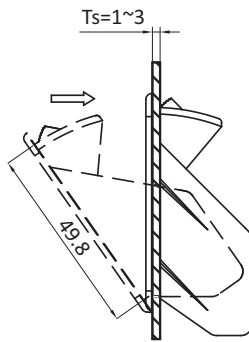
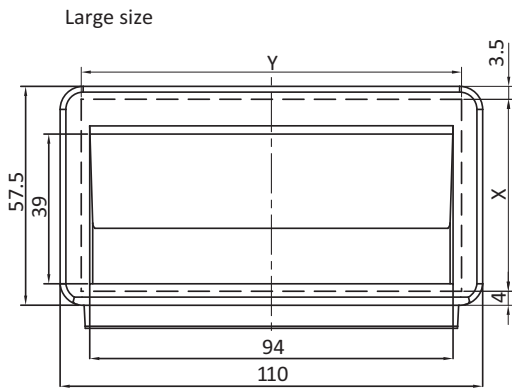


Panel cutout

Pocket Pull Handles	Panel Thickness [mm]	Large	Small
	1.0 - 1.4	0890008S01	0890009S01
	1.4 - 1.8	0890008S02	0890009S02
	1.8 - 2.1		0813472
	2.1 - 2.5		0813474
	1.5 - 2.5	0813471S01	

POCKET PULL HANDLE

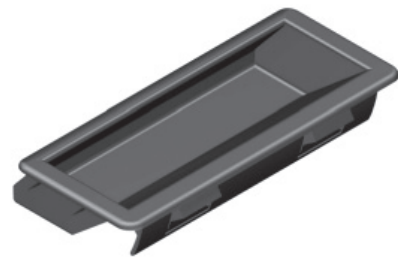
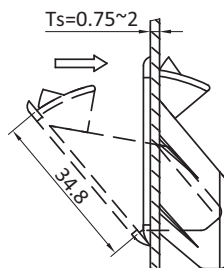
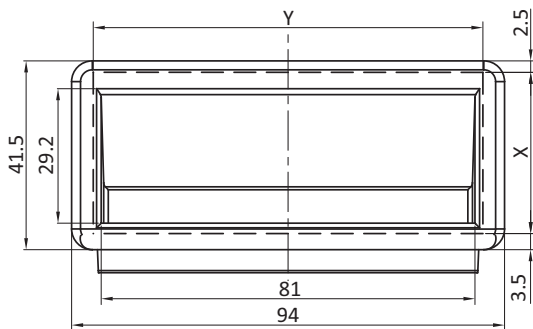
DESCRIPTION	Concealed handle to mount on flaps and doors
MATERIAL	PA6 GF30
BOLOR	Black



Panel cutout

Ts(mm)	X	Y
1.5~2	49.8+0.2	99.5
2~3	50+0.3	99.5

Small size



Panel cutout

Ts(mm)	X	Y
0.75~1	35+0.2	85+0.3
1~2	36+0.2	85+0.3

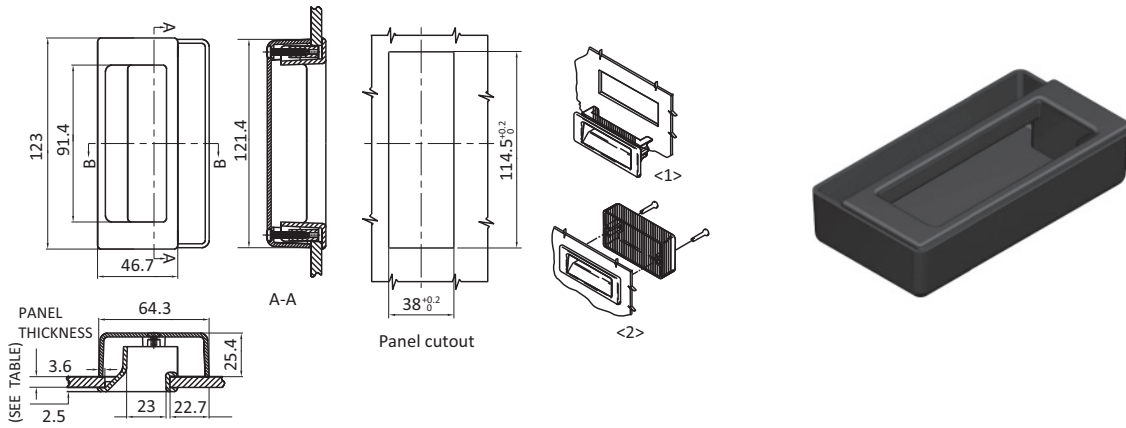
Pocket Pull Handle

Part #

Large	0890008
Small	0890009

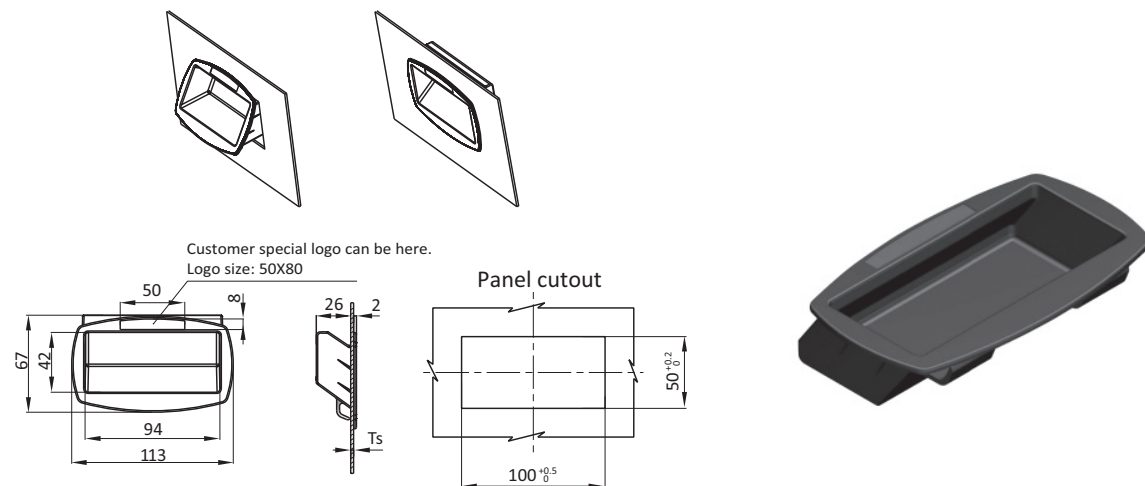
POCKET PULL HANDLES

DESCRIPTION	Concealed handle to mount on flaps and doors
MATERIAL	PA + GF
COLOR	Black



Pocket Pull Handles	Panel Thickness [mm]	Part #
	1.0 - 1.8	0890143
	1.8 - 3.3	0890147
	3.3 - 4.8	0890144
	4.8 - 6.3	0890145

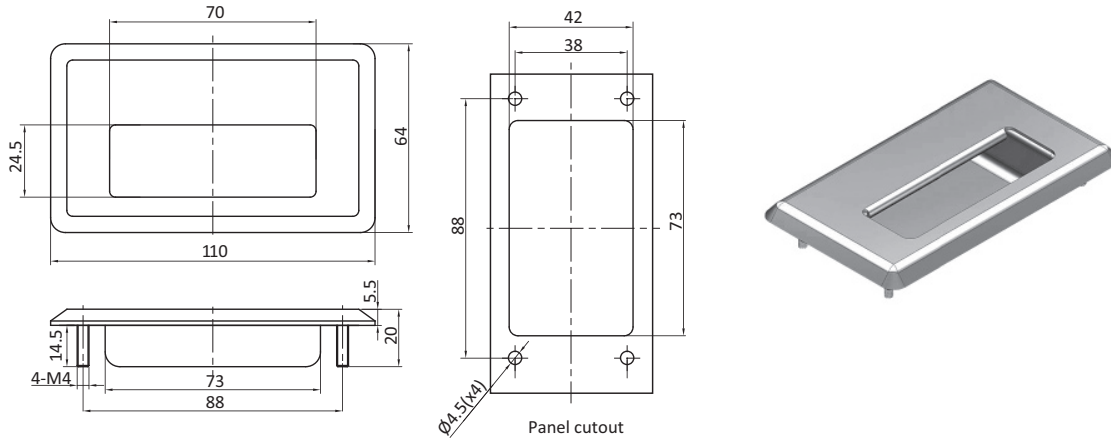
DESCRIPTION	Concealed handle to mount on flaps and doors
MATERIAL	PA + GF
COLOR	Black



Pocket Pull Handles	Panel Thickness [mm]	Part #
	1.0 - 1.2	0813466
	1.2 - 1.6	0813467

POCKET PULL HANDLES

DESCRIPTION	Concealed handle to mount on flaps and doors
MATERIAL	304 SS

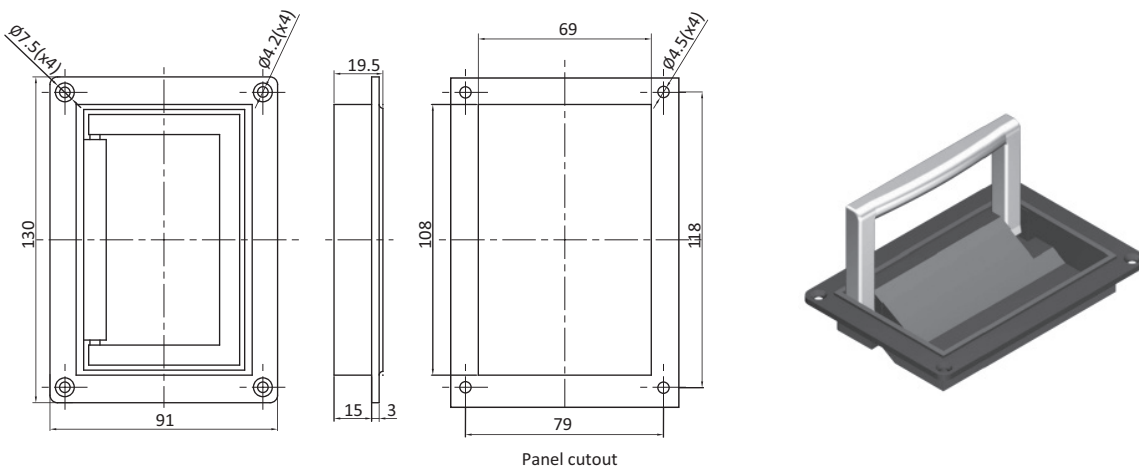


Pocket Pull Handle

Part #

0890126

DESCRIPTION	Concealed handle to mount on flaps and doors
MATERIAL	Die cast zinc
SURFACE	Black powder coated



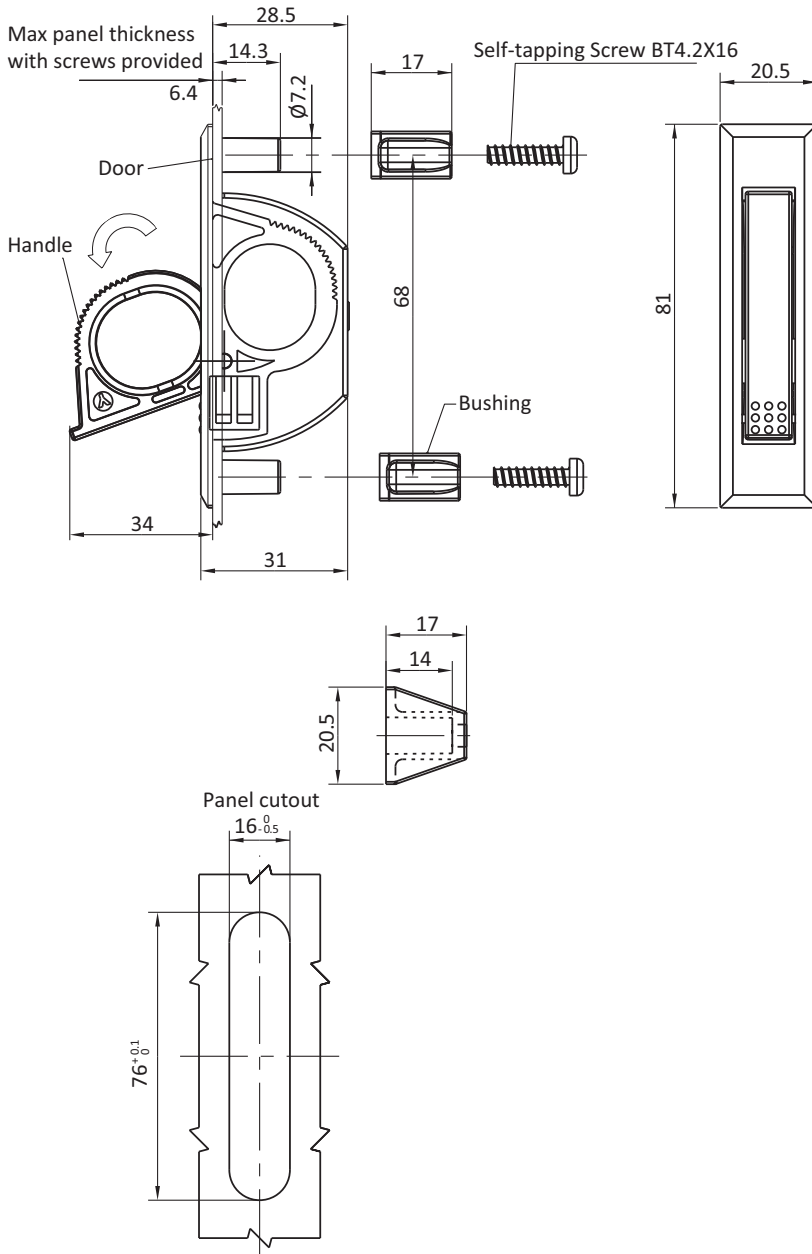
Pocket Pull Handle

Part #

0850022

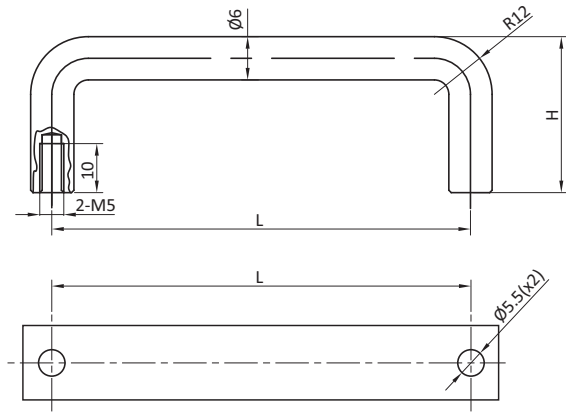
CONCEALED PULL HANDLE

DESCRIPTION	Concealed handle to mount on flaps and doors
MATERIAL	PA Housing 304 SS hardware
COLOR	Black



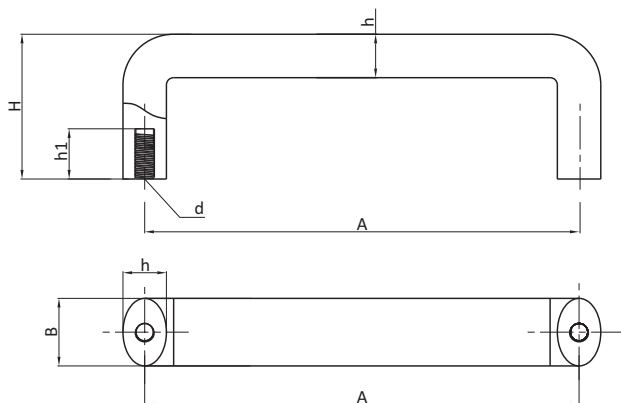
U SHAPE HANDLES

DESCRIPTION	To mount on flaps, doors, and aluminum profiles
MATERIAL	Mild Steel 304 SS
SURFACE	Chrome plated



L [mm]	H [mm]	304 SS	Mild Steel
87.0mm	40	0850007	0850012
100.0mm	40	0850008	0850013
120.0mm	40	0850009	0850014
135.0mm	40	0850010	0850015
150.0mm	40	0850011	0850016

DESCRIPTION	To mount on flaps, doors, and aluminum profiles
MATERIAL	PA6 GF30
COLOR	Black

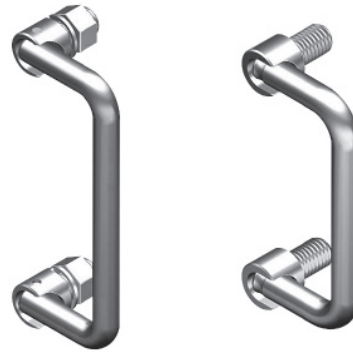
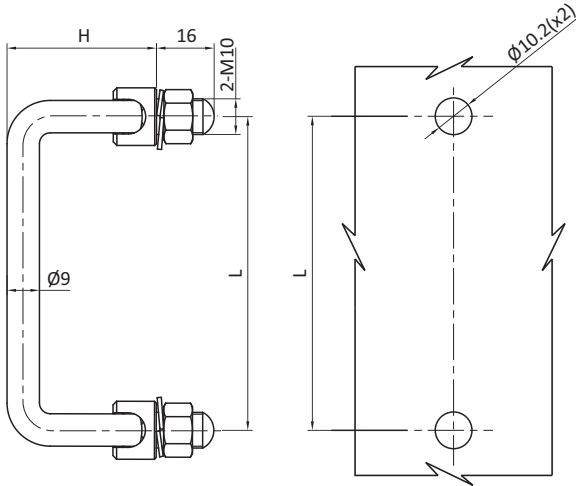


Description	A	H	d	h1	b	h	Part #
90 x M6	90	50	M6	14	28	18	0850018
120 x M8	120	60	M8	16	28	20	0850019
180 x M8	180	60	M8	16	28	20	0850020
240 x M8	240	60	M8	16	28	20	0850021

FOLDING HANDLES

DESCRIPTION	To mount on flaps and doors
MATERIAL	Mild Steel 304 SS
COLOR	Chrome plated

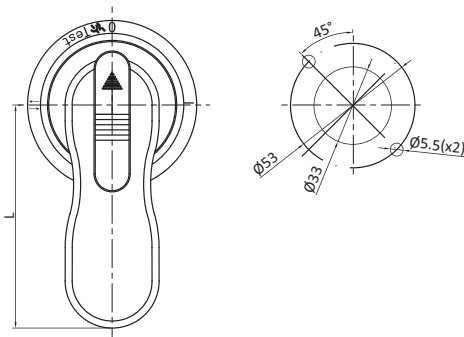
Folding Handles



L [mm]	H [mm]	304 SS	Mild Steel
87.0mm	H = 41.5	0850025	0850030
100.0mm	H = 41.5	0850026	0850031
120.0mm	H = 41.5	0850027	0850032
135.0mm	H = 41.5	0850028	0850033
150.0mm	H = 41.5	0850029	0850034

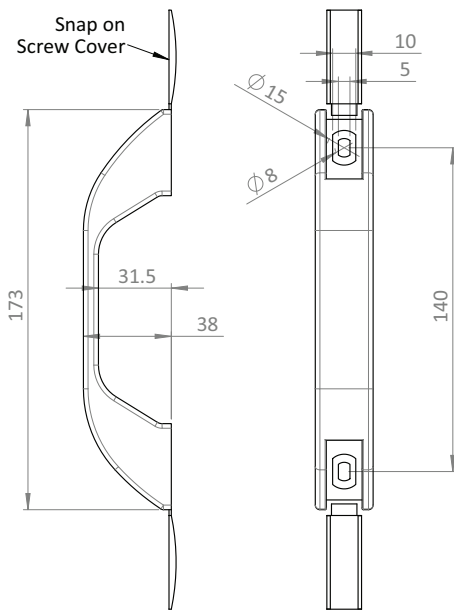
SPECIAL HANDLES

DESCRIPTION	Concealed handle to mount on flaps and doors
MATERIAL	PA6 304 SS
COLOR	Chrome plated



Handle	Size [mm]	Black	Grey
	45	0890127	0890128
	65	0890129	0890130
	95	0890131	0890132
	120	0890133	0890134

COMFORT HANDLE



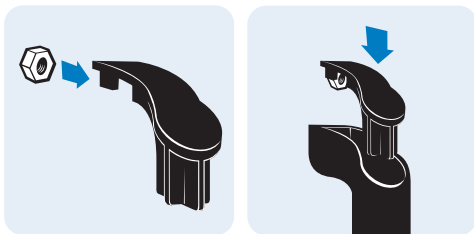
DESCRIPTION	To mount on flaps, doors, and aluminum profiles
MATERIAL	PA6 GF30
COLOR	Black



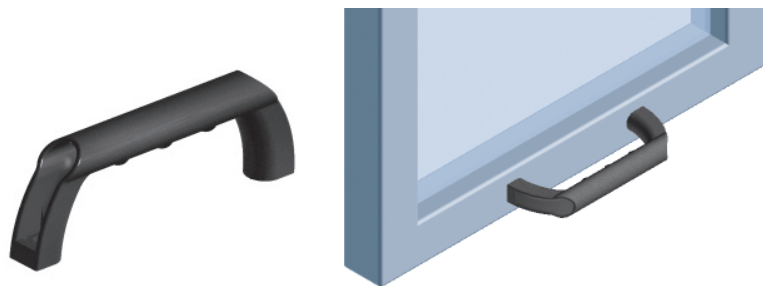
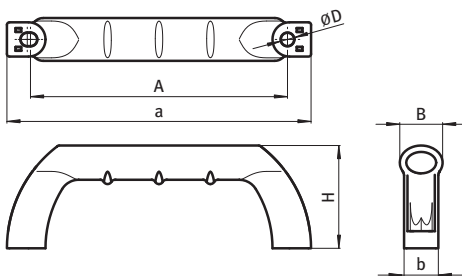
U Shape Handle

Part #

0850290



DESCRIPTION	To mount on doors, flaps and aluminum profiles
MATERIAL	Nylon PA, glass ball reinforced
COLOR	Black
FASTENING	From the front with hexagon screws From the back with screws and with nuts inserted into the cover caps
SPECIALS	Other colors on request

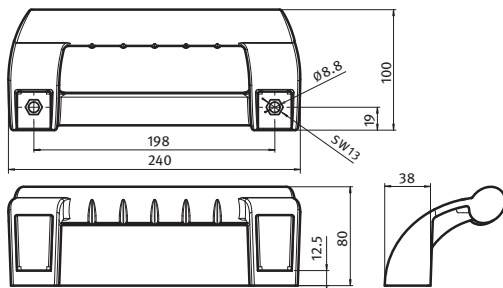


Comfort Handle	for Screw	for Nut	D	a	A	b	B	H	Weight [g]	Part #
120	M6	-	6.2	142.0	120.0	17.0	20.0	48.0	26.2	092300
160	M8	-	8.2	188.0	160.0	27.0	30.0	60.0	53.8	092302
200	M8	-	8.2	236.0	200.0	36.0	38.0	75.0	90.6	092304
Set of cover caps 120*		M6	-	-	-	-	-	-	4.0	092301
Set of cover caps 160*		M8	-	-	-	-	-	-	10.0	092303
Set of cover caps 200*		M8	-	-	-	-	-	-	20.0	092305

* Please note: 1 set = 2 pieces

MACHINE HANDLE 240

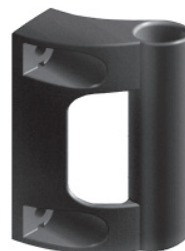
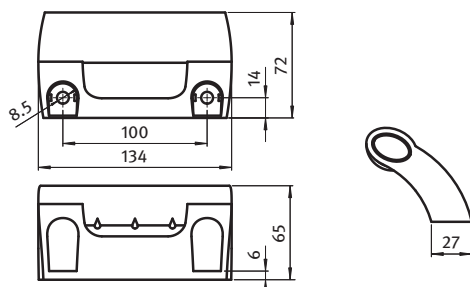
DESCRIPTION	Large machine handle with ergonomic design and finger protection; to mount on doors, flaps and aluminum profiles; with cover caps
MATERIAL	Nylon PA, glass ball reinforced
COLOR	Black
FASTENING	From the front with hexagon cap screws or socket head screws, or from the back using M8 hexagon nuts and bolts
SPECIALS	Electrostatically conductive, other sizes, other colors on request



Machine handle	for Screw	Weight [g]	Part #
	M8	356.0	092008
Handle Cap			092010

MACHINE HANDLE 135

DESCRIPTION	Machine handle with ergonomic design and finger protection; to mount on doors, flaps and aluminum profiles; optional with cover caps
MATERIAL	Nylon PA, glass ball reinforced
COLOR	Black
FASTENING	With hexagon cap screws or socket head screws
SPECIALS	Electrostatically conductive, other sizes, other colors on request

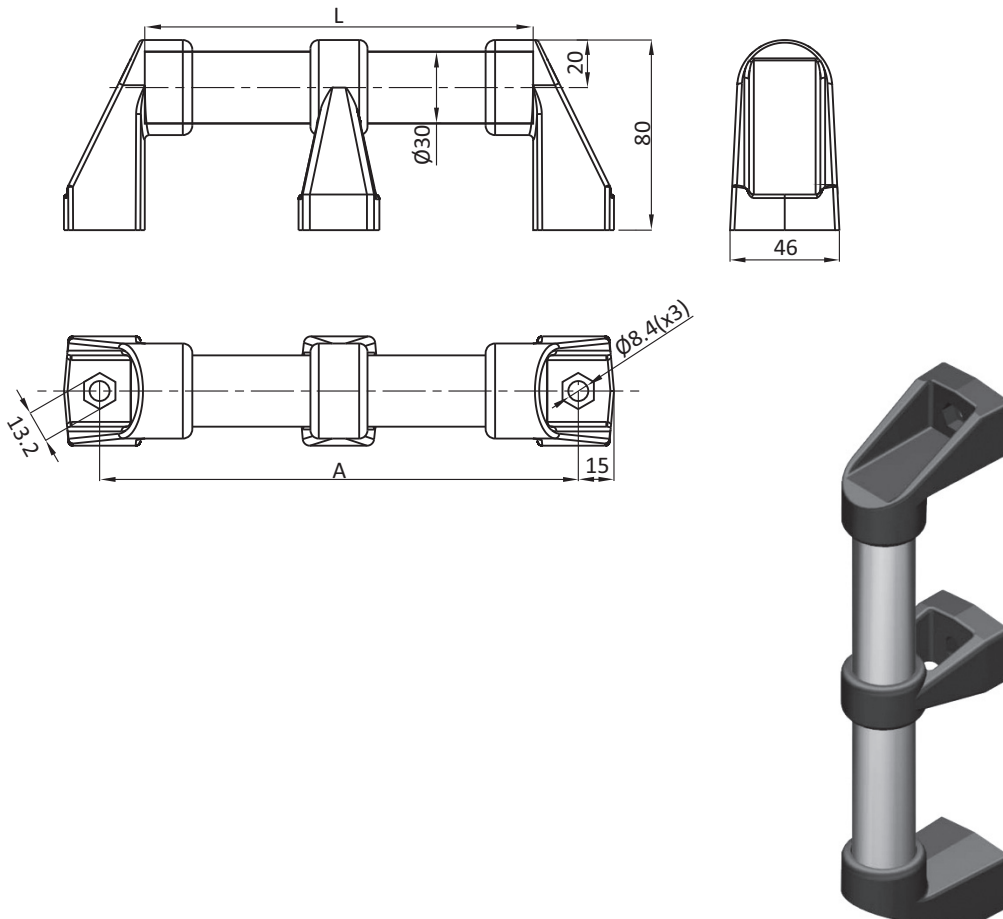


Machine handle	for Screw	Weight [g]	Part #
	M8	114.0	092009
Set of cover caps*	-	3.0	092010

* Please note: 1 set = 2 pieces

U SHAPE HANDLES

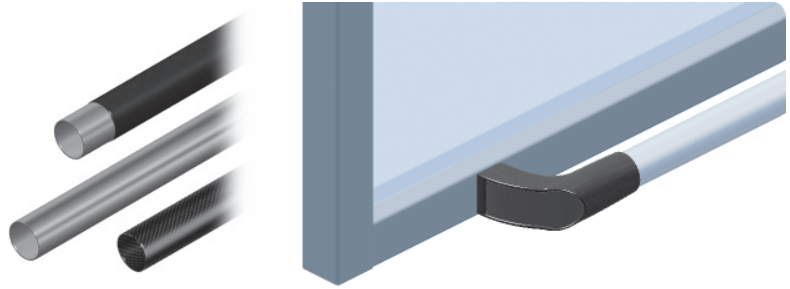
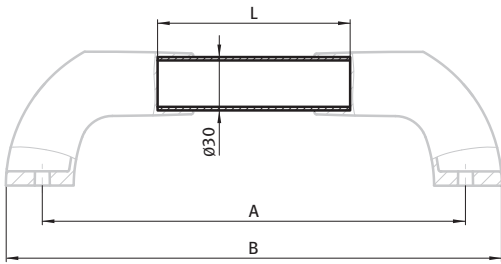
DESCRIPTION	To mount on flaps, doors, and aluminum profiles
MATERIAL	Mild Steel, PA
SURFACE	Chrome plated, Black



Required Componentss	Length	A (mm)	Mild Steel
	266.0mm	300.0mm	0813455
	366.0mm	400.0mm	0813456
0813455R01 End	466.0mm	500.0mm	0813457
0813455R02 Middle	566.0mm	600.0mm	0813458
	666.0mm	700.0mm	0813459
	766.0mm	800.0mm	0813460

TUBES FOR SYSTEM HANDLE

DESCRIPTION	for combining with the end pieces
FASTENING	End pieces for system handle
PACK QUANTITY	10 pieces
SPECIALS	Other surfaces, other colors on request

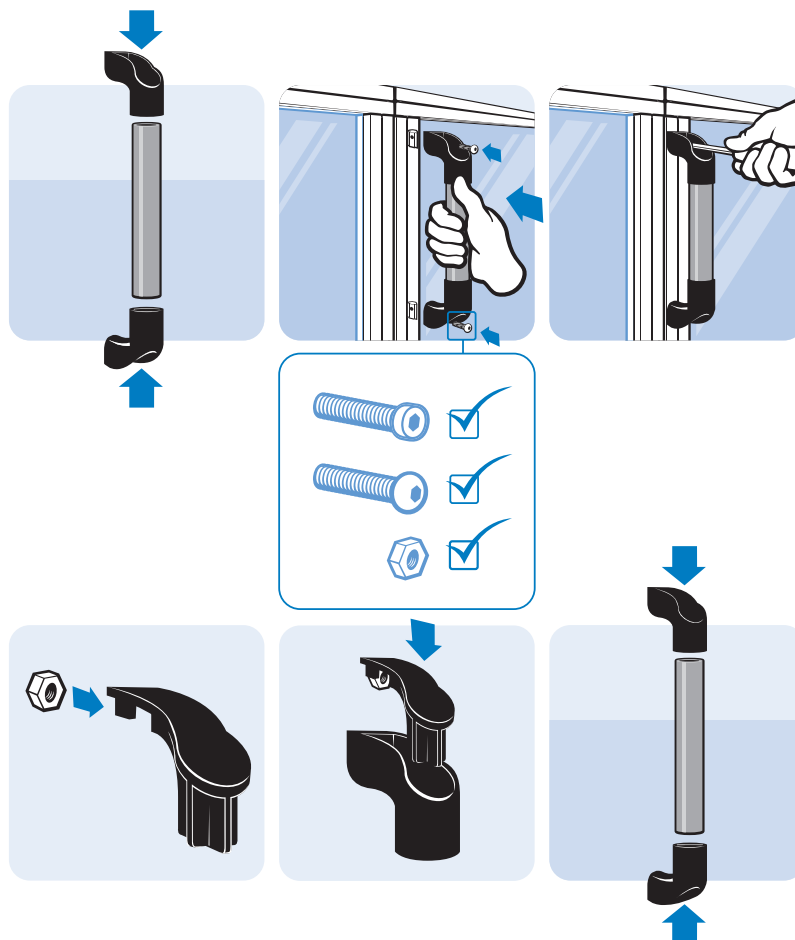
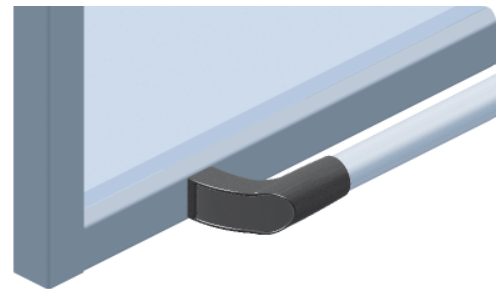
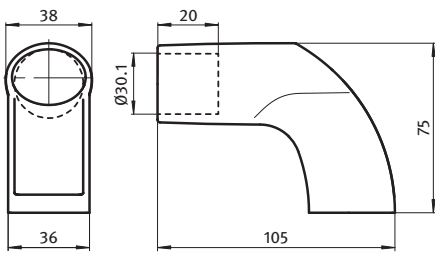


	A	L	B	Weight [g]	Part #
<i>Tubes for System Handle</i>	[mm]	[mm]	[mm]		
<i>Carbon fibre, glossy finish</i>	200.0	70.0	240.8	16.0	092013C200
	300.0	170.0	340.8	39.0	092013C300
	400.0	270.0	440.8	62.0	092013C400
	500.0	370.0	540.8	85.0	092013C500
	-	2000.0*	-	364.0	092013C.2000
<i>Aluminum, anodized</i>	200.0	70.0	240.8	17.0	092013A200
	300.0	170.0	340.8	42.0	092013A300
	400.0	270.0	440.8	67.0	092013A400
	500.0	370.0	540.8	91.0	092013A500
	-	2000.0*	-	490.0	092013A.2000
<i>Stainless steel</i>	200.0	70.0	240.8	51.0	092013E200
	300.0	170.0	340.8	124.0	092013E300
	400.0	270.0	440.8	197.0	092013E400
	500.0	370.0	540.8	270.0	092013E500
	-	2000.0*	-	1400.0	092013E.2000
<i>Steel, plastic covered</i>	200.0	70.0	240.8	53.0	092013S200
	300.0	170.0	340.8	120.0	092013S300
	400.0	270.0	440.8	203.0	092013S400
	500.0	370.0	540.8	279.0	092013S500
	-	2000.0*	-	1500.0	092013S.2000

* for cut to length. See page 282 for end pieces and cover caps

END PIECES FOR SYSTEM HANDLE

DESCRIPTION	To mount on doors, flaps and aluminum profiles
MATERIAL	Nylon PA, glass ball reinforced
COLOR	Black
FASTENING	From the front with hexagon screws From the back with screws and with M8 nuts inserted into the cover caps
PACK QUANTITY	10 sets
SPECIALS	Other colors on request

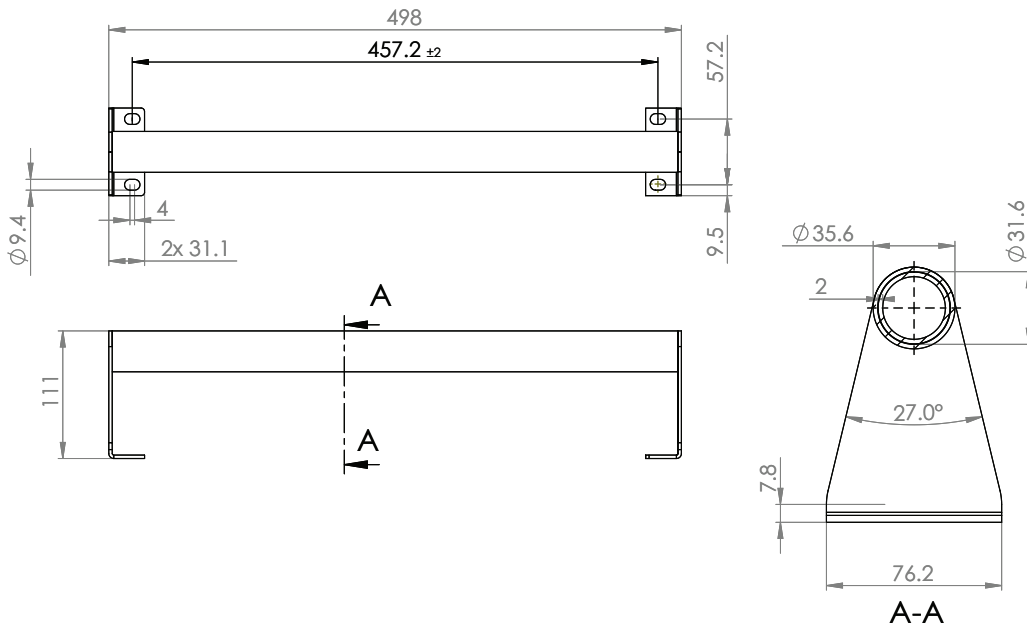


End Pieces for System Handle	for Screw	for Nut	Weight [g]	Part #
Set of end pieces*	M8	-	49.5	092013
Set of cover caps*	-	M8	20.3	092305

* Please note: 1 set = 2 pieces

HANDLE

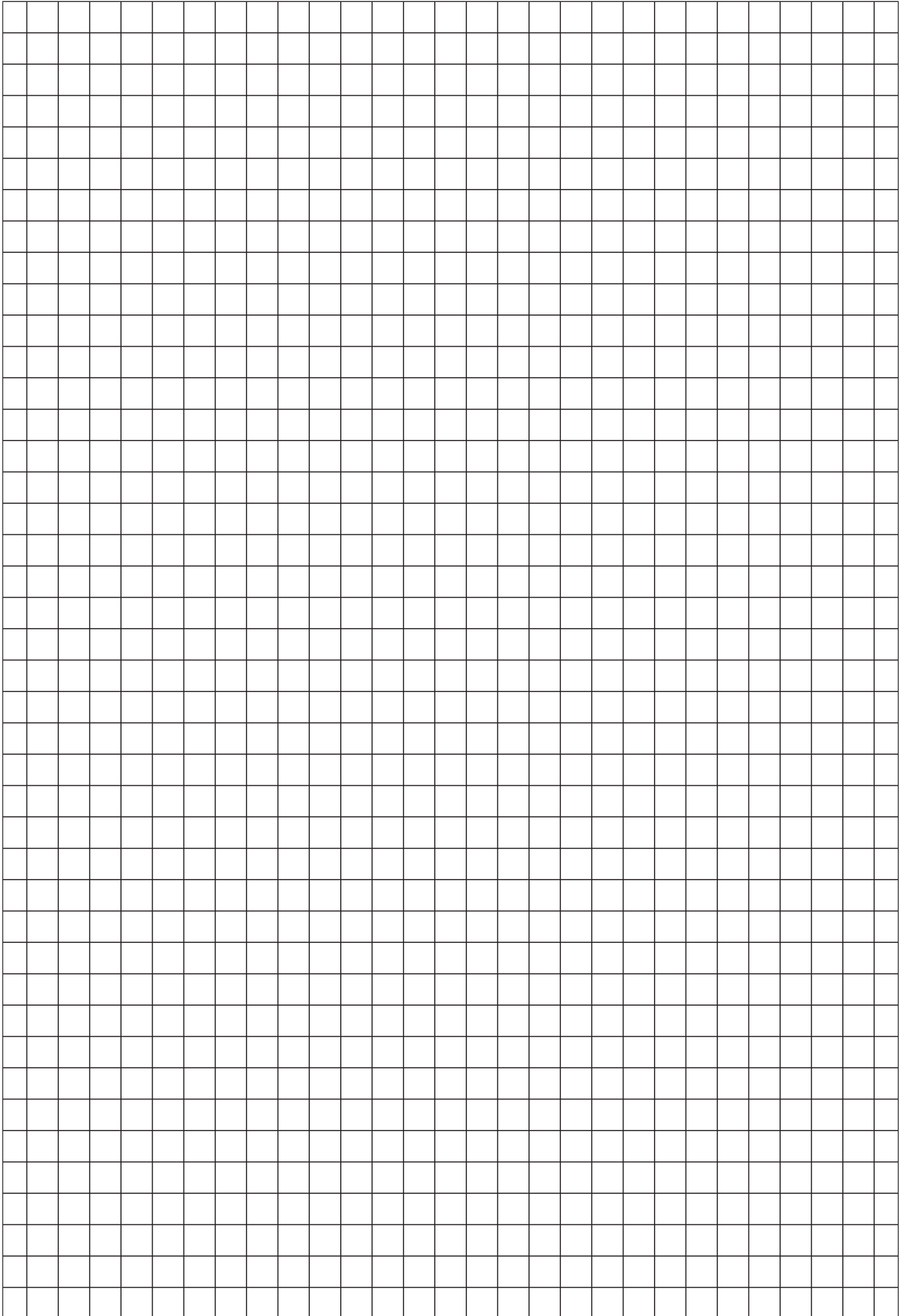
DESCRIPTION	To mount on doors, flaps and aluminum profiles
MATERIAL	Bar: Rubber coated galvanized pipe End Brackets: Nickel plated steel
FASTENING	From the front with hexagon screws
PACK QUANTITY	10 sets



Handle

L [mm]
498mm

Part #
092014



INDUSTRIAL HARDWARE

CHAPTER 12: HVAC HARDWARE LINE



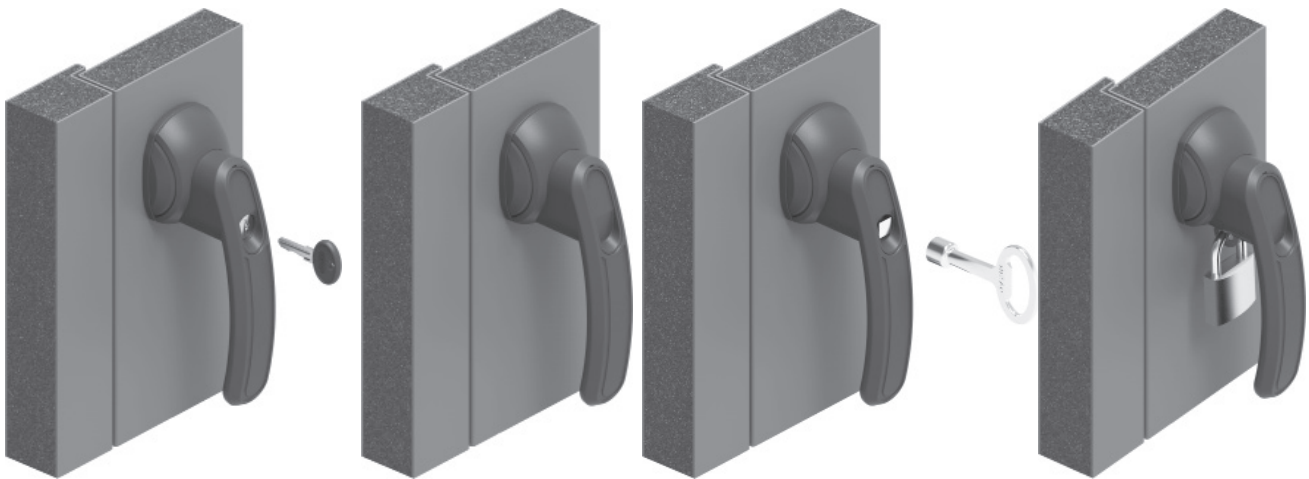
HVAC LATCHES	298
HVAC LATCH INTERNAL CAM	299
HVAC LATCHES	300
HVAC LATCH EXTERNAL CAM	301
HVAC LATCH CAM ASSEMBLY	302
HVAC HANDLE	303
HVAC LATCHES	304
HVAC CAMS	305
HVAC ACCESSORIES	306-307
HVAC BRIDGE CLAMP SYSTEM	308
HVAC CLAMPS	309
HVAC FUNCTIONAL LOCKING HINGE	310
HVAC LOCK	311
HVAC LOCK T HANDLE	312
HVAC LOCK L HANDLE	313
SLAM/SLIDE LATCHES COMPACT	314
EMERGENCY OPENER FOR SLAM LATCHES	315
HVAC HINGE	316
SCREW-ON HINGE	317-320
STAMPED METAL HINGES	320

HVAC LATCHES

OUTWARD OPENING DOORS

- Hassle-free and easy mounting
- Provides secure locking
- Suitable for different door thicknesses
- Complies with IP66 protection standard
- Adjustable grip length

Locking Options



Cylinder

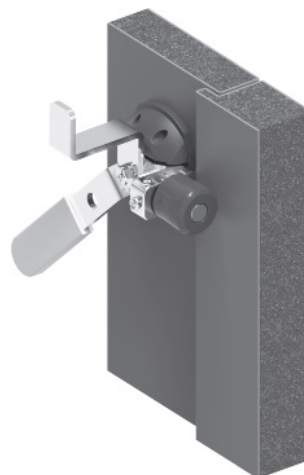
Without
Cylinder

Driver

Padlockable



Adjustable
Cam



Safety Interior
Handle With
Safety Cam

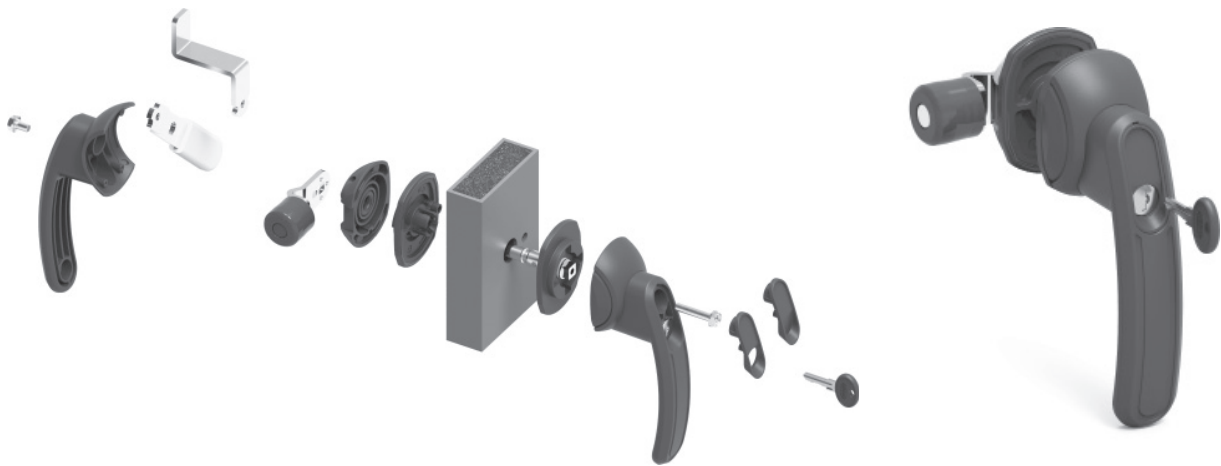
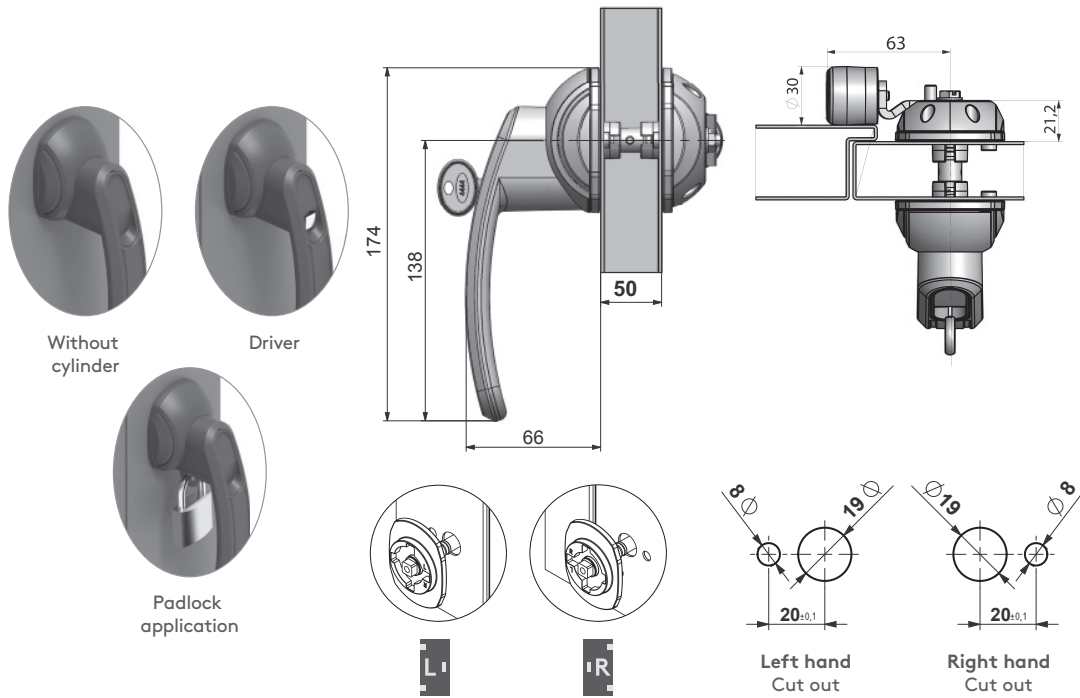


Safety Interior
Handle



HVAC LATCH INTERNAL CAM

DESCRIPTION	HVAC Lock For Internal Application
MATERIAL	Handle: PA6 GF30 Cam: Steel, PA6 GF30 Gasket: Polyurethane
COLOR	Black
CAM	See page 277 for cam options



	Slide Latch	Panel Thickness [mm] Part #					
		30	40	50	60	70	80
Without Cylinder		0850300S30	0850300S40	0850300S50	0850300S60	0850300S70	0850300S80
Keyed Alike		0850301S30	0850301S40	0850301S50	0850301S60	0850301S70	0850301S80
Keyed Different		0850302S30	0850302S40	0850302S50	0850302S60	0850302S70	0850302S80
FH333		0850303S30	0850303S40	0850303S50	0850303S60	0850303S70	0850303S80
8mm Square		0850304S30	0850304S40	0850304S50	0850304S60	0850304S70	0850304S80
10mm Square		0850305S30	0850305S40	0850305S50	0850305S60	0850305S70	0850305S80
7mm Triangle		0850306S30	0850306S40	0850306S50	0850306S60	0850306S70	0850306S80
8mm Triangle		0850307S30	0850307S40	0850307S50	0850307S60	0850307S70	0850307S80

HVAC LATCHES

INWARD OPENING DOORS

- Hassle-free and easy mounting
- Provides secure locking
- Suitable for different door thicknesses
- Complies with IP66 protection standard
- Adjustable grip length

Locking Options



Cylinder



Without
Cylinder



Driver



Padlockable



Adjustable
Cam



Safety Interior
Handle

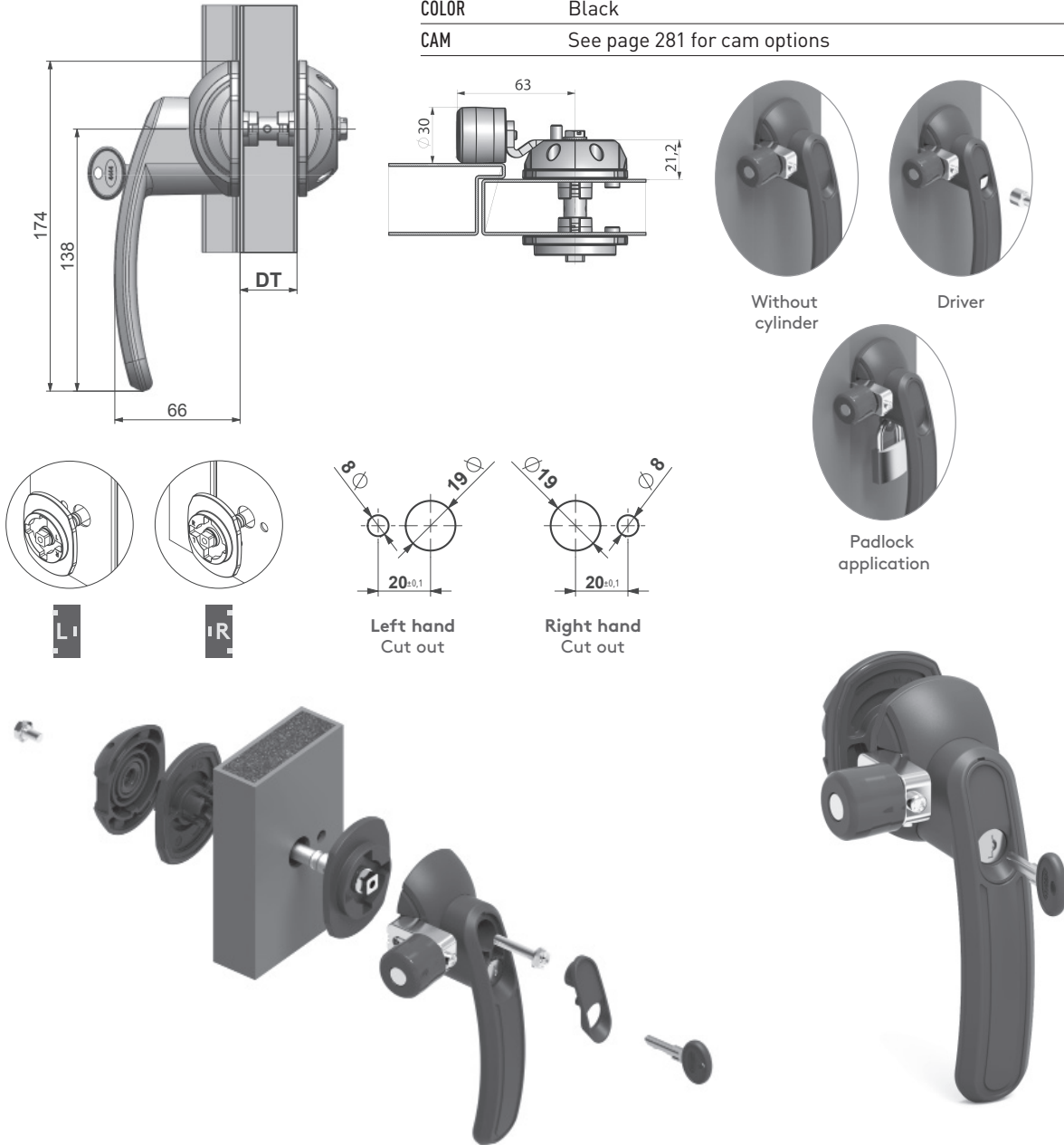


Safety Interior
Handle



HVAC LATCH EXTERNAL CAM

DESCRIPTION	HVAC Lock For External Application
MATERIAL	Handle: PA6 GF30 Cam: Steel, PA6 GF30 Gasket: Polyurethane
COLOR	Black
CAM	See page 281 for cam options

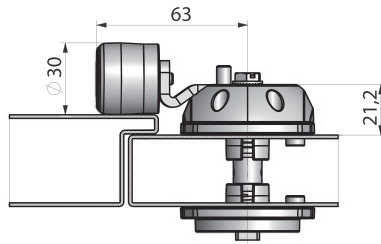
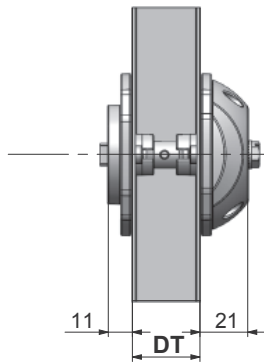


Slide Latch	Panel Thickness [mm] Part #					
	30	40	50	60	70	80
Without Cylinder	0850308S30	0850308S40	0850308S50	0850308S60	0850308S70	0850308S80
Keyed Alike	0850309S30	0850309S40	0850309S50	0850309S60	0850309S70	0850309S80
Keyed Different	0850310S30	0850310S40	0850310S50	0850310S60	0850310S70	0850310S80
FH333	0850311S30	0850311S40	0850311S50	0850311S60	0850311S70	0850311S80
8mm Square	0850312S30	0850312S40	0850312S50	0850312S60	0850312S70	0850312S80
10mm Square	0850313S30	0850313S40	0850313S50	0850313S60	0850313S70	0850313S80
7mm Triangle	0850314S30	0850314S40	0850314S50	0850314S60	0850314S70	0850314S80
8mm Triangle	0850315S30	0850315S40	0850315S50	0850315S60	0850315S70	0850315S80

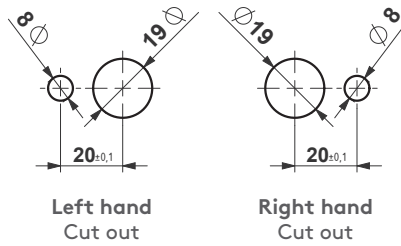
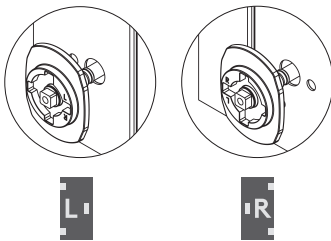


HVAC LATCH CAM ASSEMBLY

DESCRIPTION	HVAC Cam Assemblies
MATERIAL	PA6 GF30 Cam: Steel, PA6 GF30 Gasket: Polyurethane
COLOR	Black
CAM	See page 281 for cam options



COVER



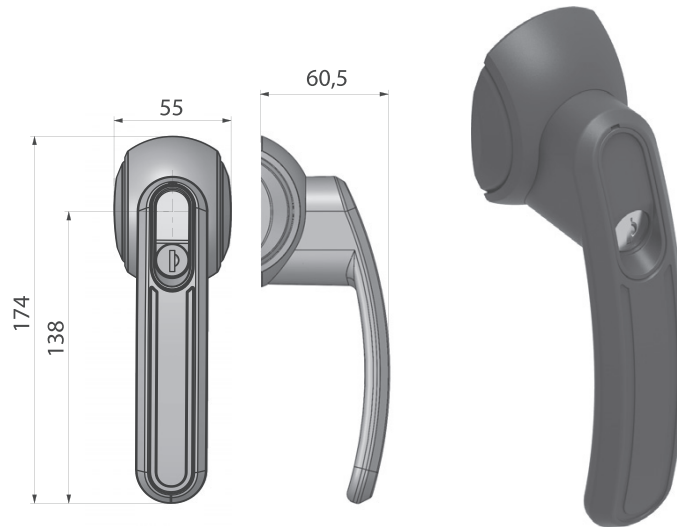
Panel Thickness [mm]	Part #
30	0850316
40	0850317
50	0850318
60	0850319
70	0850320
80	0850321
COVER	0850322



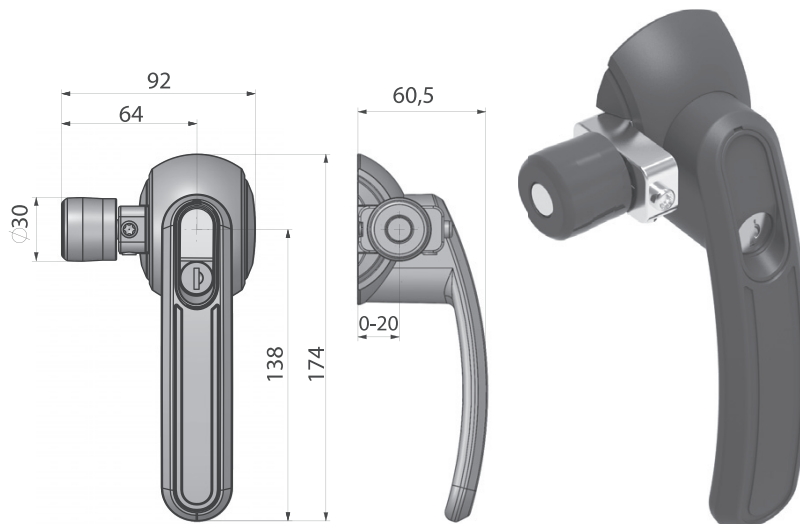
HVAC HANDLE

DESCRIPTION	HVAC Handles
MATERIAL	Handle: PA6 GF30 Cam: Steel, PA6 GF30 Gasket: Polyurethane
COLOR	Black
CAM	See page 281 for cam options

Handle for outward opening doors



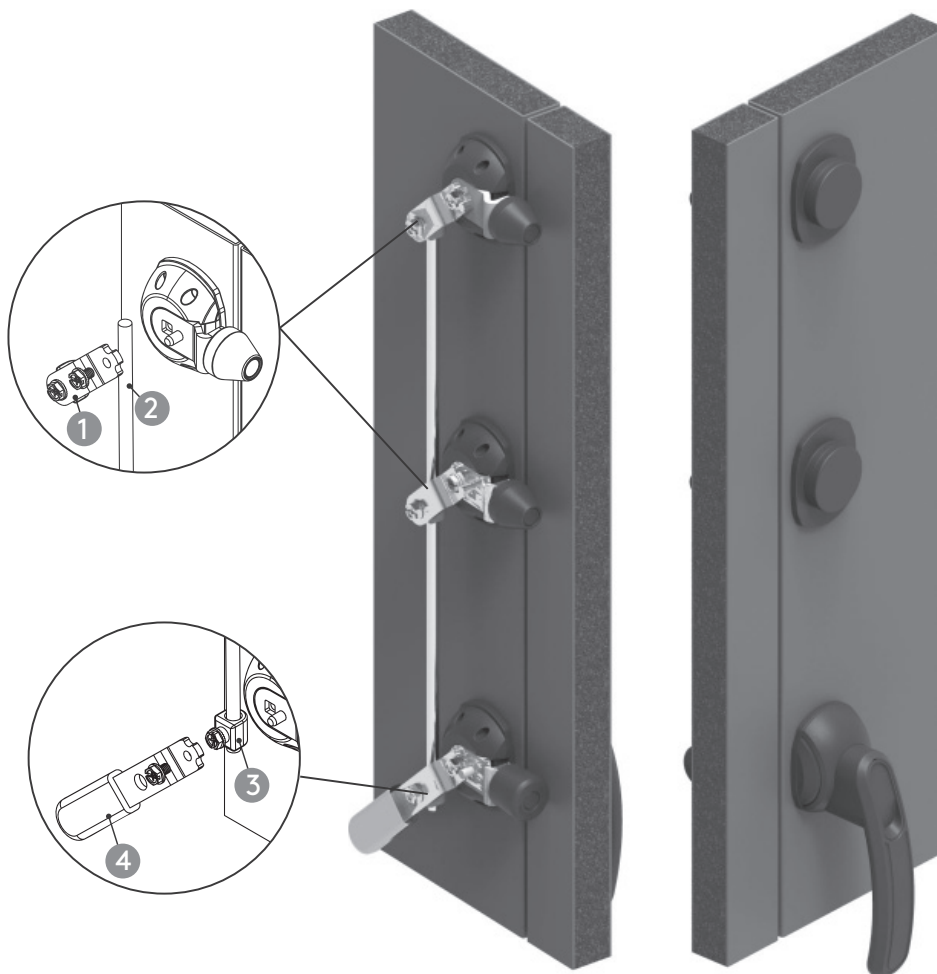
Handle for inward opening doors



	Panel Thickness [mm] Part #					
	Handle 30	40	50	60	70	80
Handle For Outward Opening Doors	0850323S30	0850323S40	0850323S50	0850323S60	0850323S70	0850323S80
Handle For Inward Opening Doors	0850324S30	0850324S40	0850324S50	0850324S60	0850324S70	0850324S80

HVAC LATCHES

MULTIPOINT LOCKING SYSTEM

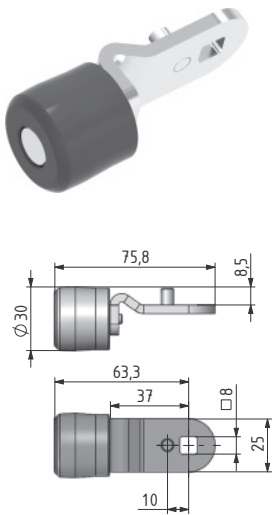


- Customizable Solutions
- Multiple Locking Unit
- Rods
- Rod Adapters
- Safety Interior Handle

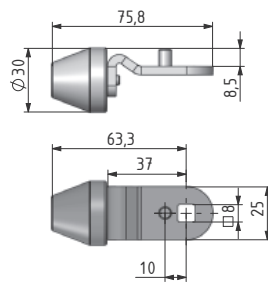
HVAC CAMS

DESCRIPTION	HVAC Cams
MATERIAL	Handle: PA6 GF30 Cam: Steel, PA6 GF30 Gasket: Polyurethane
COLOR	Black

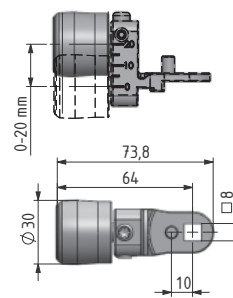
Fixed Cam
With Round Roller



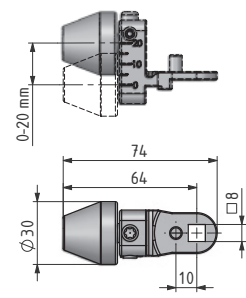
Fixed Cam
With Triangle Roller



Adjustable Cam
With Round Roller



Adjustable Cam
With Triangle Roller



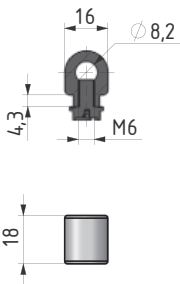
Cam Type

Part #

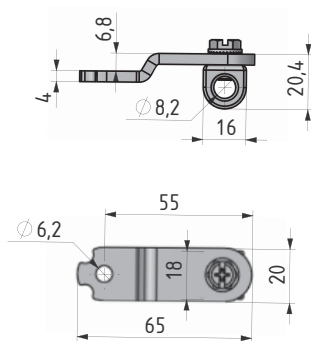
Fixed Cam With Round Roller	0850325
Fixed Cam With Triangle Roller	0850326
Adjustable Cam With Round Roller	0850327
Adjustable Cam With Triangle Roller	0850328

HVAC ACCESSORIES

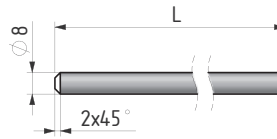
DESCRIPTION	HVAC Lock For Internal Application
MATERIAL	Handle: PA6 GF30 Cam: Steel, PA6 GF30 Gasket: Polyurethane
COLOR	Black



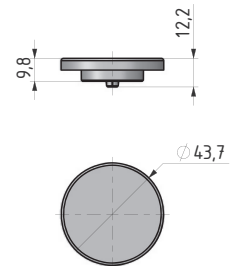
Rod Adapter



Multiple Locking Unit



Rod

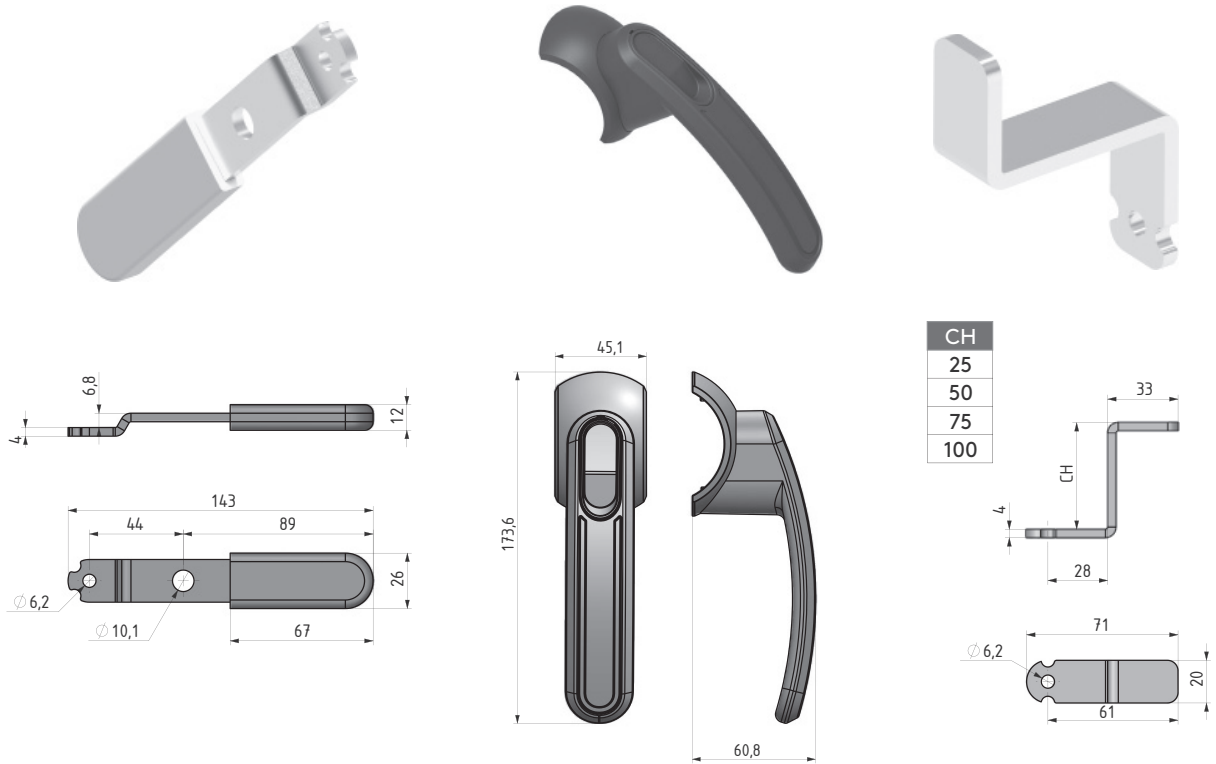


Cover

Cam Type	Part #
Rod Adapter	0850329
Multiple Locking Unit	0850330
Rod (Specify Lenght L)	0850331"L"
Cover	0850322

HVAC ACCESSORIES

DESCRIPTION	HVAC Lock For Internal Application
MATERIAL	Handle: PA6 GF30 Cam: Steel, PA6 GF30 Gasket: Polyurethane
COLOR	Black



Safety Interior Handle

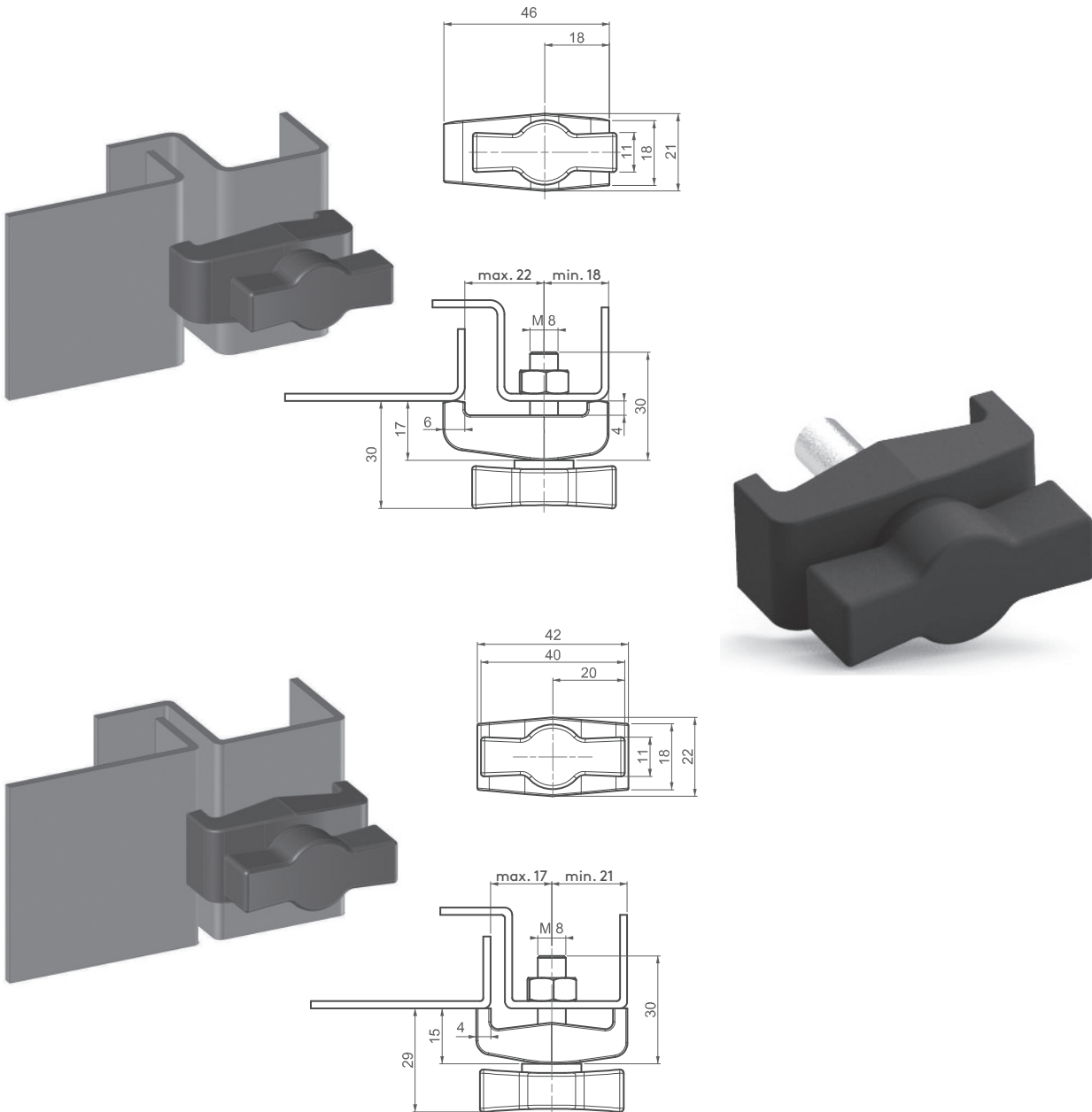
Safety Interior Handle

Safety Cam

Cam Type	CH (mm)	Part #
Safety Interior Handle		0850332
Safety Interior Handle		0850333
Safety Cam	25	0850334S25
	50	0850334S50
	75	0850334S75
	100	0850334S100

HVAC BRIDGE CLAMP SYSTEM

DESCRIPTION	HVAC Bridge Clamp System
MATERIAL	Housing: PA6 GF30 Knob: PA6 GF30 Screw: Steel Zinc Plated
COLOR	Black

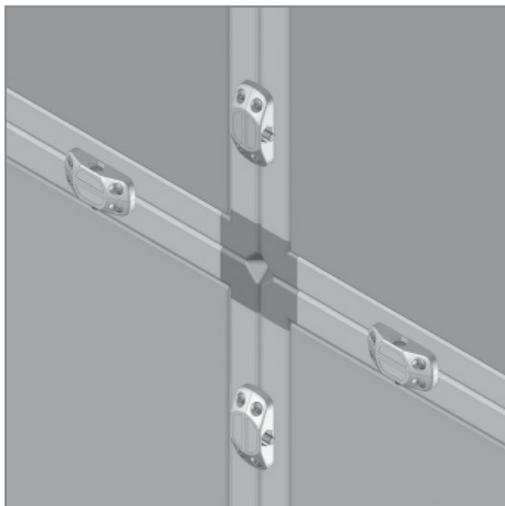
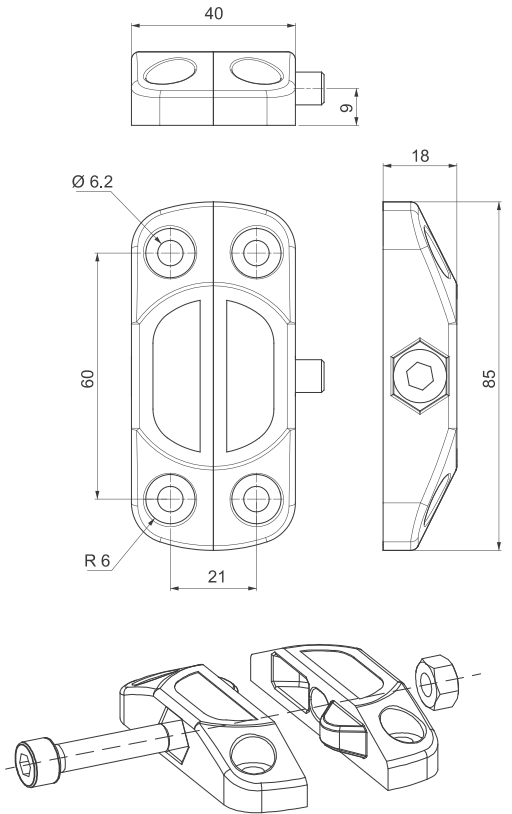


Clamp Range	22.0 x 18.0 Max
	17.0 x 21.0 Max

Part #	0850336
	0850337

HVAC CLAMPS

DESCRIPTION	HVAC Clamp
MATERIAL	Body: Zinc Screw and Nut: Steel Zinc Plated
COLOR	Noted in Table

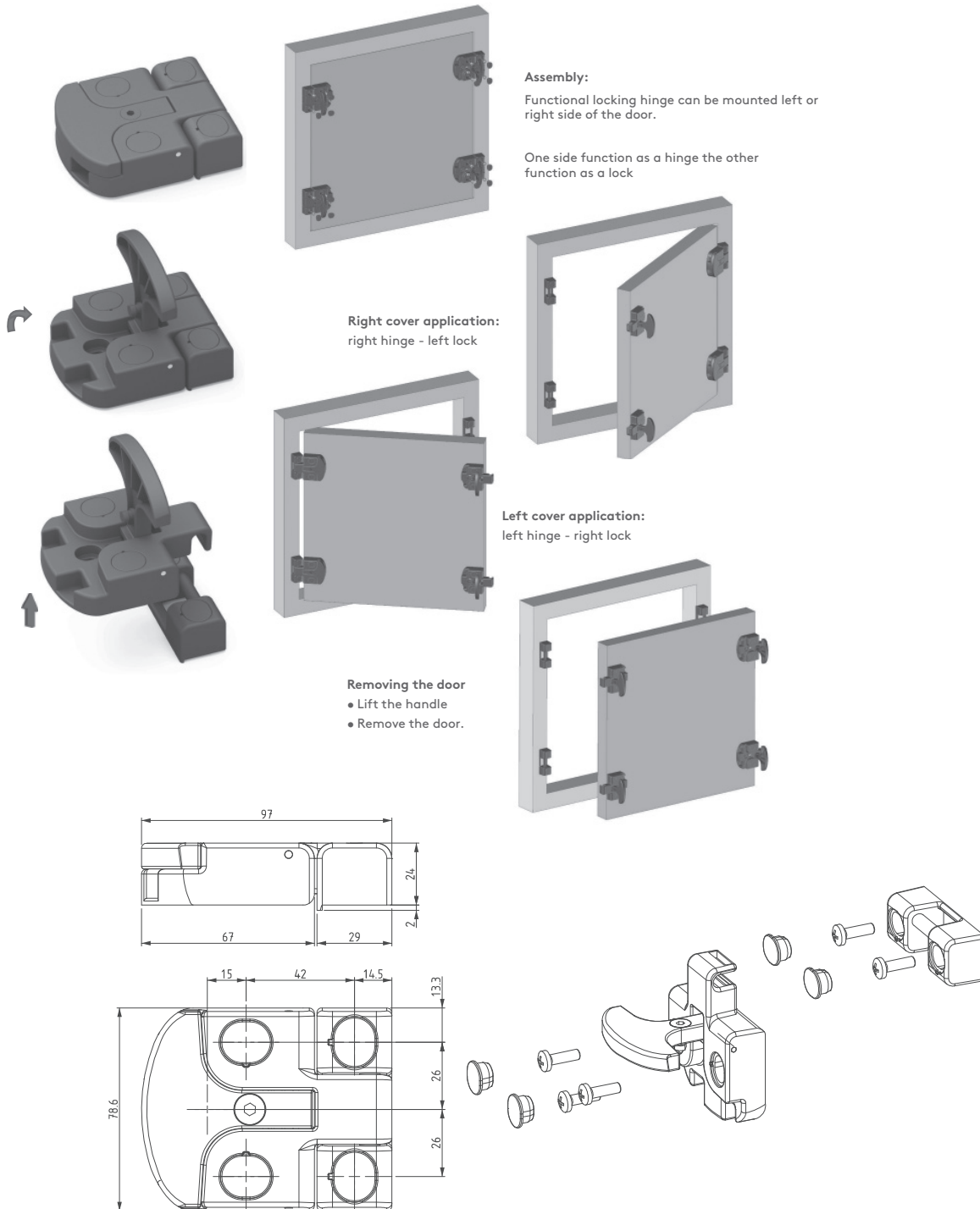


Clamp Finish	Part #
No Finish	0850338
Zinc Plated	0850339
Black Coated	0850340



HVAC FUNCTIONAL LOCKING HINGE

DESCRIPTION	HVAC Functional Locking Hinge
MATERIAL	Body, Handle: PA6 GF30 Driver, Cam, Catch Plate: Zinc
COLOR	Clear Black



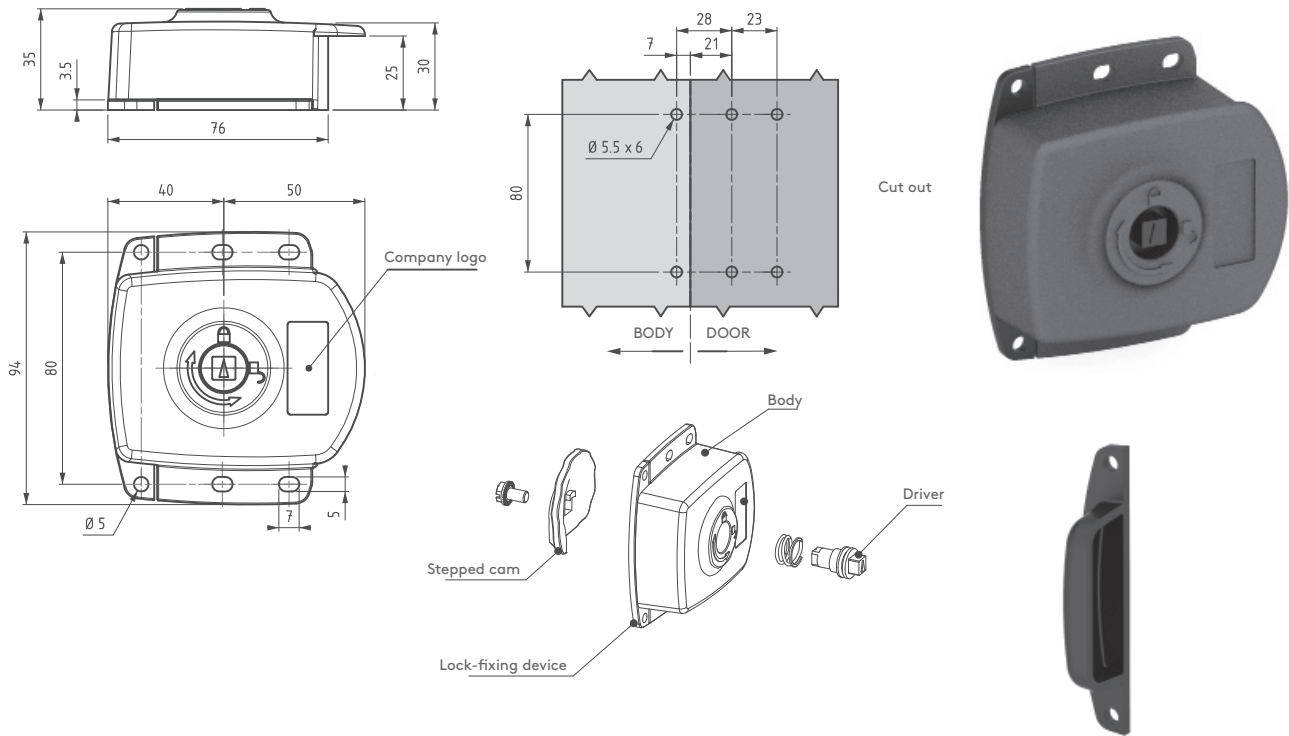
Part #

0850341



HVAC LOCK

DESCRIPTION	HVAC Lock
MATERIAL	Body: Die Cast Zinc Driver: See Table Below
COLOR	See Table Below

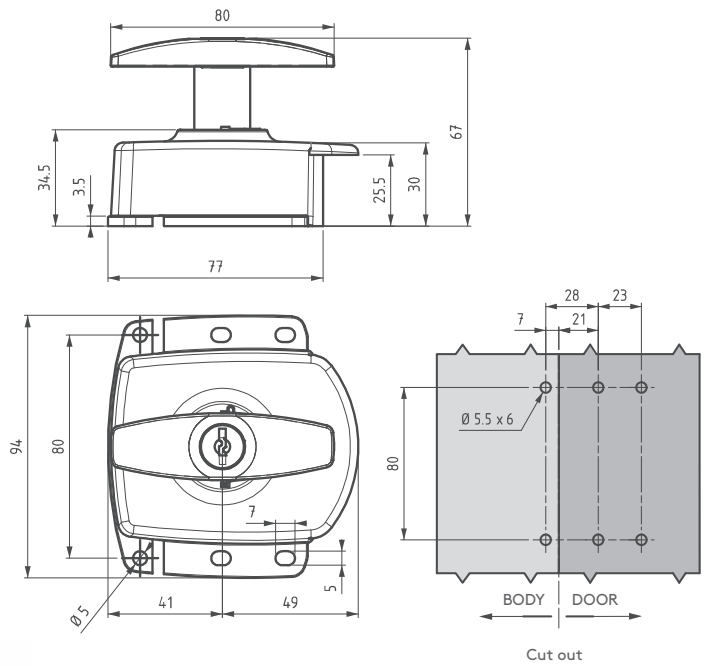
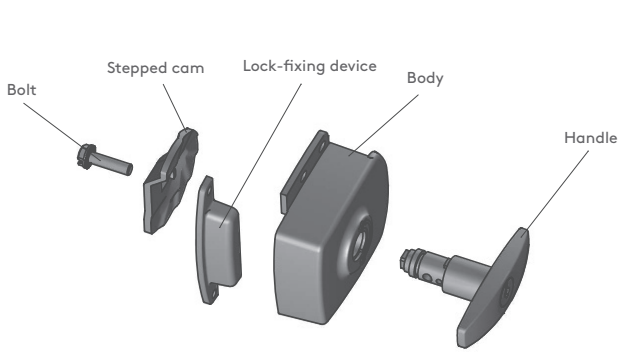


Insert Type	BODY CHROME			BODY BLACK POWDER COATED		
	Die-cast Zinc, black powder coated	Die-cast Zinc, chrome plated	PA6 30	Die-cast Zinc, black powder coated	Die-cast Zinc, chrome plated	PA6 30
Double bit 3mm	0850342	0850343	0850344	0850390	0850391	0850392
Double bit 5mm	0850345	0850346	0850347	0850393	0850394	0850395
Slot 2 x 4	0850348	0850349	0850350	0850396	0850397	0850398
Slot 2 x 4 Coin Proof	0850351	0850352		0850399	0850400	
Triangular 7mm	0850353	0850354	0850355	0850401	0850402	0850403
Triangular 8mm	0850356	0850357	0850358	0850404	0850405	0850406
Triangular 9mm	0850359	0850360	0850361	0850407	0850408	0850409
Square 6mm	0850362	0850363	0850364	0850410	0850411	0850412
Square 7mm	0850365	0850366	0850367	0850413	0850414	0850415
Square 8mm	0850368	0850369	0850370	0850416	0850417	0850418
Square with slot 8mm	0850371	0850372		0850419	0850420	
Female square 6mm	0850373	0850374		0850421	0850422	
Female hexagon 8mm	0850375	0850376		0850423	0850424	
Female hexagon 10mm	0850377	0850378		0850425	0850426	
Male hexagon 11mm	0850379	0850380		0850427	0850428	
Eastern Europe 13mm	0850381	0850382		0850429	0850430	
5 x 10 Slot	0850383	0850384		0850431	0850432	
Railway	0850385	0850386		0850433	0850434	
Torx (T30)	0850387			0850435		
Flat	0850388	0850389		0850436	0850437	



HVAC LOCK T HANDLE

DESCRIPTION	HVAC Lock T Handle
MATERIAL	Body: Die Cast Zinc CYLINDER: See Table Below
COLOR	See Table Below

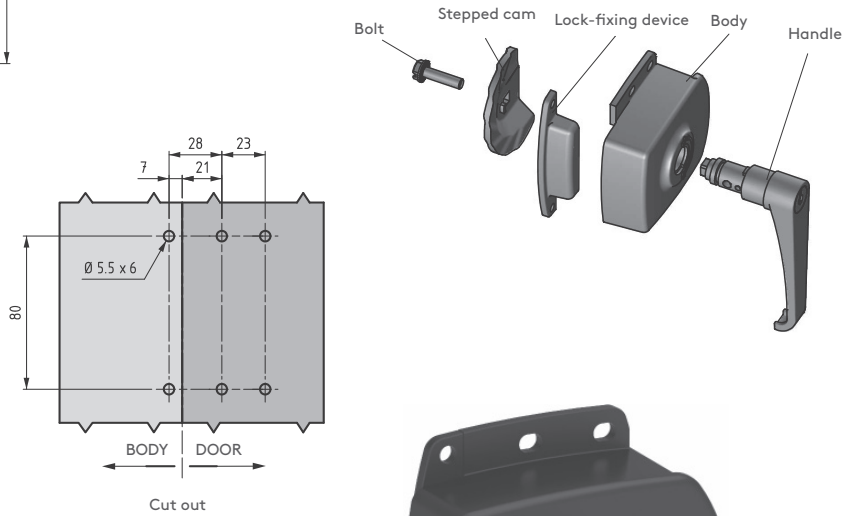
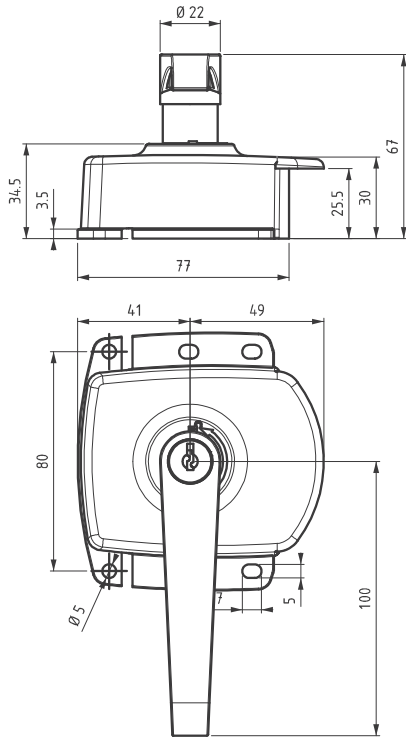


Cylinder Type	BODY: Die Cast Zinc		BODY: PA6 30
	Finish: Black Powder Coated	Finish: Chrome Plated	Finish: None
No Cylinder	0850438	0850439	0850441
SS Keyed Alike	0850442	0850443	0850445
SS Keyed Different	0850446	0850447	0850449
FH333	0850450	0850451	0850453
CH751	0850454	0850455	0850457



HVAC LOCK L HANDLE

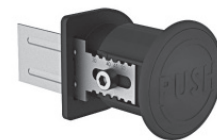
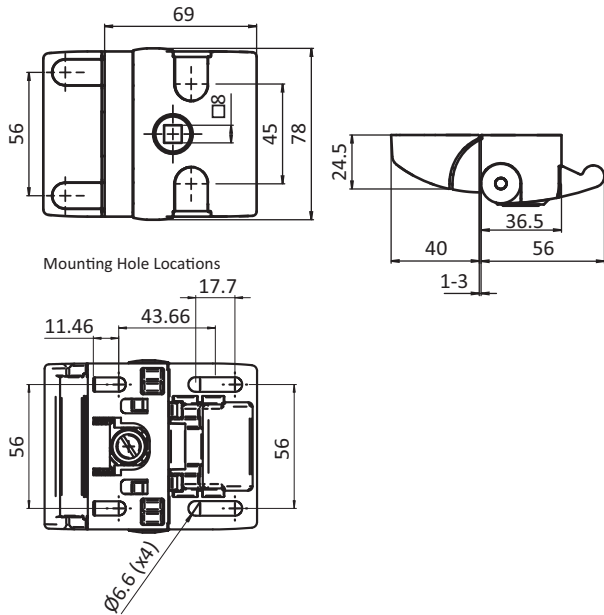
DESCRIPTION	HVAC Lock L Handle
MATERIAL	Body: Die Cast Zinc CYLINDER: See Table Below
COLOR	See Table Below



Cylinder Type	BODY: Die Cast Zinc		BODY: PA6 30
	Finish: Black Powder Coated	Finish: Chrome Plated	Finish: None
No Cylinder	0850458	0850459	0850461
SS Keyed Alike	0850462	0850463	0850465
SS Keyed Different	0850466	0850467	0850469
FH333	0850470	0850471	0850473
CH751	0850474	0850475	0850477

SLAM/SLIDE LATCHES COMPACT

DESCRIPTION	For easy and secure latching and locking of doors and flaps, no mechanical preparation needed for the assembly; safe against disassembling in the locked position
MATERIAL	Die-cast aluminum
SURFACE	Black powder coated / aluminum color powder coated
FASTENING	From the front, using M6 socket head or pan head screws

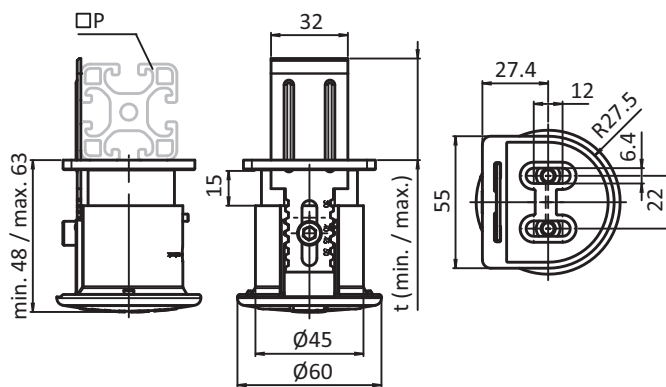


Emergency Opener can be found on page 281

Slam Latch	Lock	Weight [g]	Part #
SLAM LATCH	Black powder coated	Keyed FH333	235.5 0957408
		Keyed Differently	235.5 0957411
		Non Locking	204.0 0957410
		Square Insert	220.0 0957431
		Double Bit Insert	220.0 0957432
SLAM LATCH	Aluminum color powder coated	Keyed FH333	235.5 0957408S01
		Keyed Differently	235.5 0957411S01
		Non Locking	204.0 0957410S01
SLIDE DOOR LATCH	Black powder coated	Keyed FH333	246.0 0957415
		Keyed Differently	246.0 0957416
		Non-Locking	216.0 0957417

EMERGENCY OPENER FOR SLAM LATCHES

DESCRIPTION	Inside emergency release for slam latches PROe, PRO and Compact; with or without safety catch
MATERIAL	Base part: Nylon PA, glass Fiber reinforced Push button: Nylon PA, glass Fiber reinforced Unlocking plate: Steel
SURFACE	Unlocking plate: Zinc plated
COLOR	Base part: Black Push button: Red ≈RAL 3020
FASTENING	From the front, using two socket head screws DIN 912 M6 x 20, Hardware included

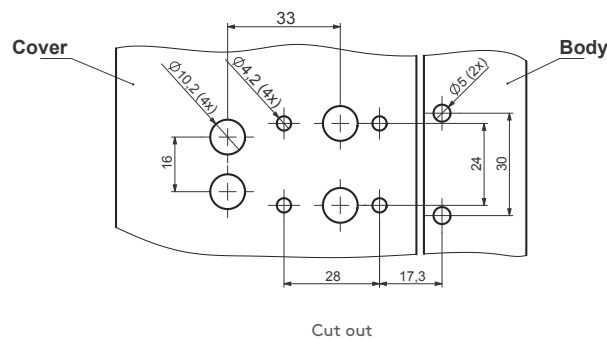
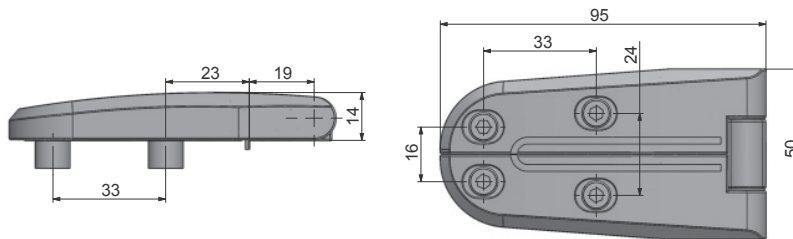
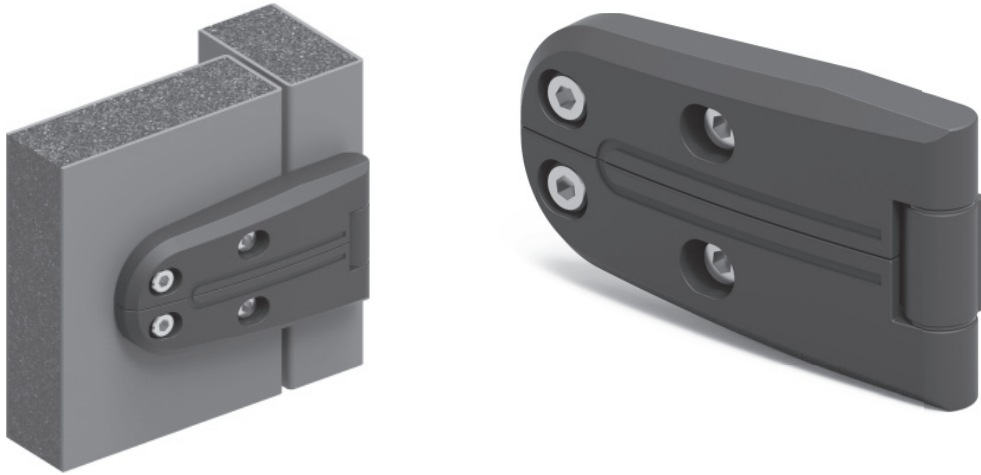


Emergency Opener for Slam Latch	t (min.) [mm]	t (max.) [mm]	P [mm]	Weight [g]	Part #
Without safety catch	30	50	30-50	110.8	0957409
	60	80	60-80	115.4	0957409S03
With safety catch	30	50	30-50	110.8	0957409S02



HVAC HINGE

DESCRIPTION	HVAC Hinge
MATERIAL	Body: Die Cast Zinc Pin & Bolts: SS
FINISH	See Table Below



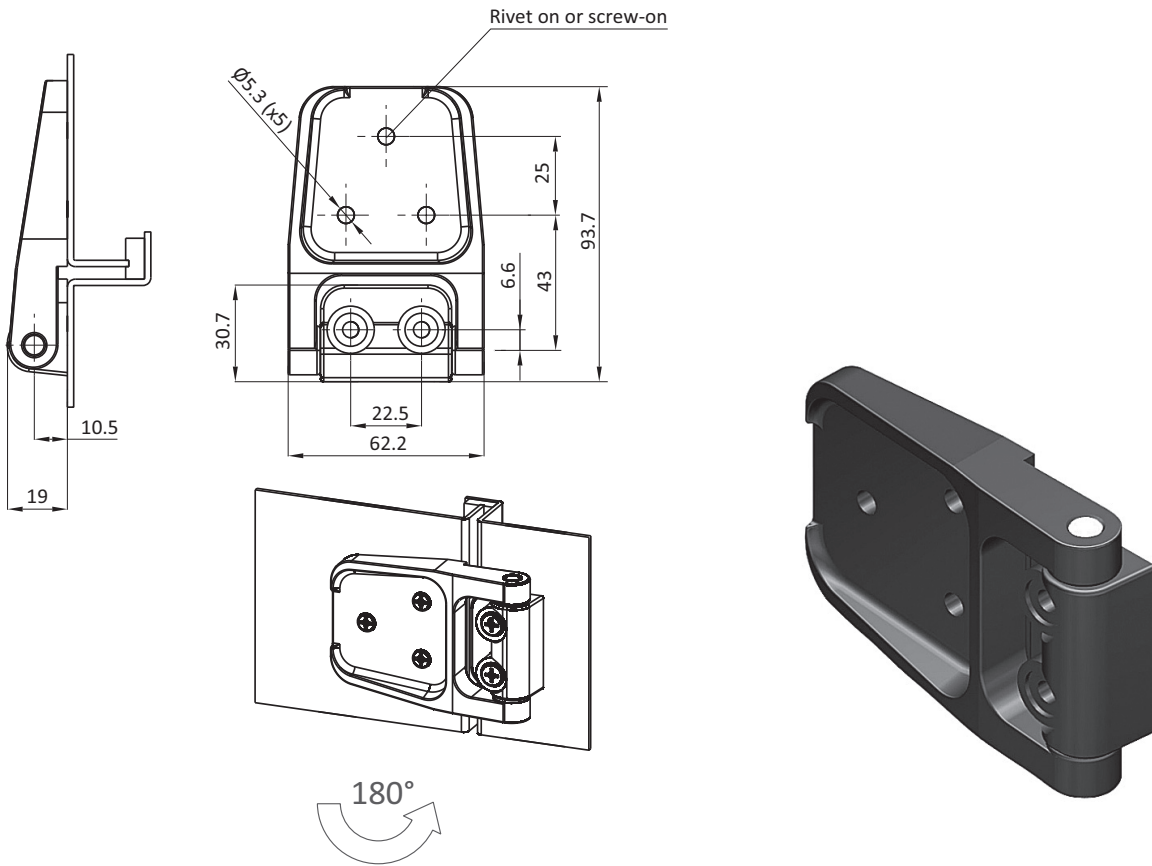
FINISH	
Chrome	
Black Powder Coated	

Part #	
0850481	
0850482	



SCREW-ON HINGE

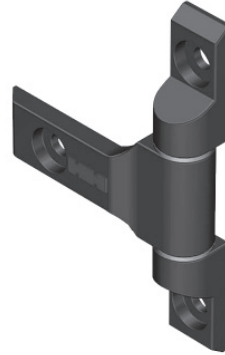
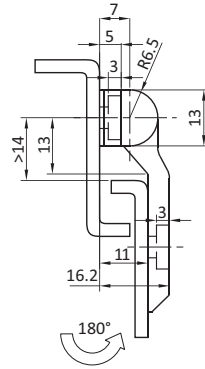
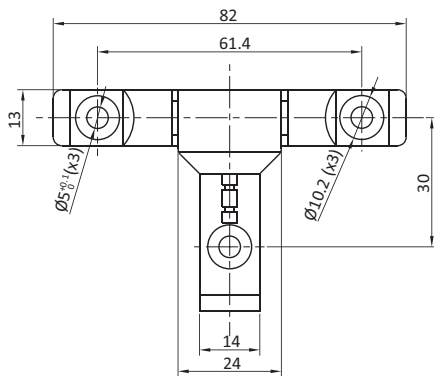
DESCRIPTION	To hinge panels
MATERIAL	Hinge leaves: Nylon PA, glass fiber reinforced Hinge pin: Mild steel
SURFACE	Hinge leaves: Black Hinge pin: 304 Stainless Steel
SPECIALS	Non lift off Left and right





SCREW-ON HINGE

DESCRIPTION	To hinge panels
MATERIAL	Hinge leaves: Die-cast zinc Hinge pin and mounting pin: Mild steel
SURFACE	Hinge leaves: Black powder coated



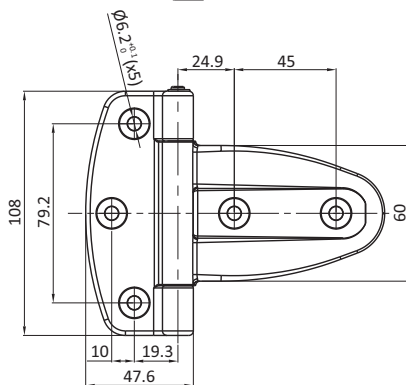
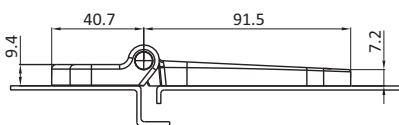
Screw-On Hinge

Black Powder Coated

0830080

SCREW-ON HINGE

DESCRIPTION	To hinge panels
MATERIAL	Hinge leaves: Die cast zinc Pin: SS
SURFACE	Hinge leaves: Black
SPECIALS	Non lift off Left and right



Screw-On Hinge

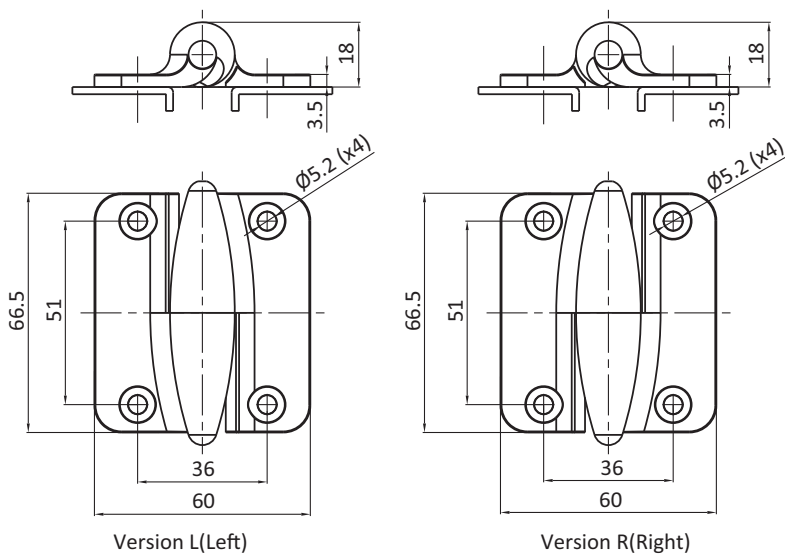
Part #

0813317



SCREW-ON HINGE

DESCRIPTION	To hinge panels
MATERIAL	Hinge leaves: Die cast zinc Pin: SS
SURFACE	Black powder coated / chrome plated
SPECIALS	Lift off Left and right

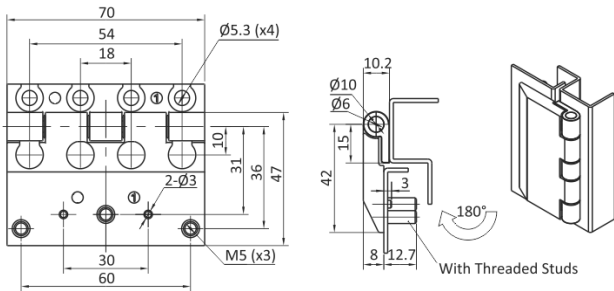


Screw-On Hinge	Left	Right
Black powder coat	0813313	0813314
Chrome plate	0813315	0813316



SCREW-ON HINGE

DESCRIPTION	To hinge panels
MATERIAL	Hinge: Die cast zinc Pin: SS
SURFACE	Black powder coated / Matte silver spray painted
SPECIALS	Non lift off Left and right



Screw-On Hinge

Black Powder Coated

MN Spray Painted (Matte silver)

with M5 threaded stud

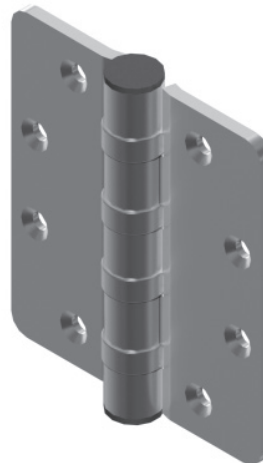
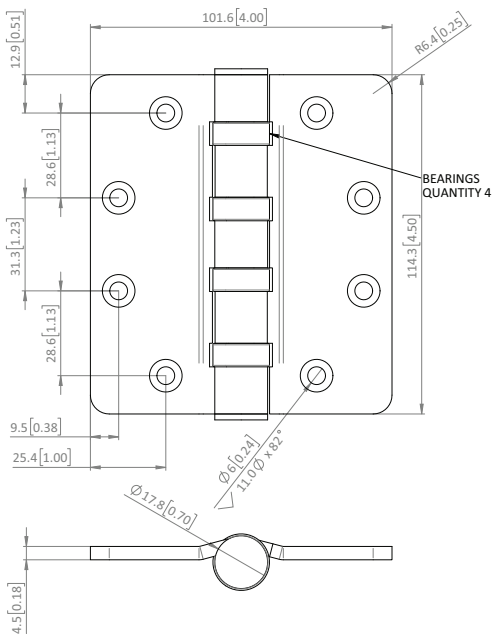
0813349

0813350

STAMPED METAL HINGES



DESCRIPTION	To hinge panels
MATERIAL	316 SS
COLOR	Natural, Passivated
FASTENING	From the front, using M6 countersunk screws

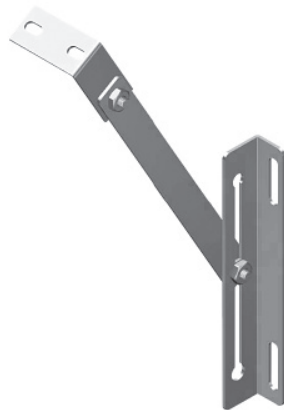


Part #

0850262

INDUSTRIAL HARDWARE

CHAPTER 13: **COVER STAYS**

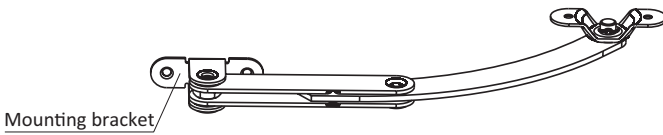
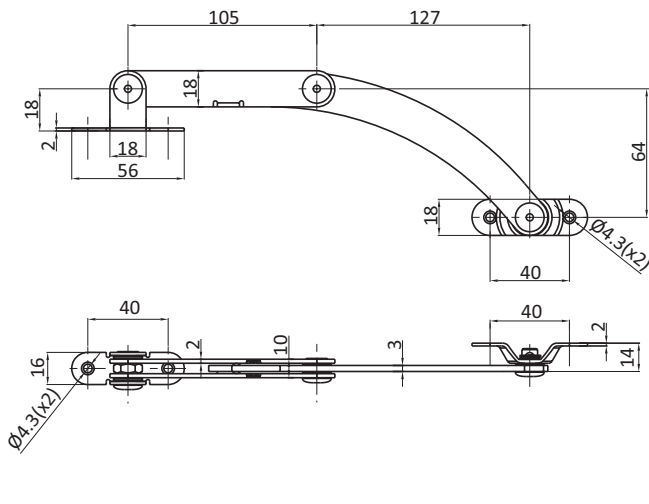


COVER STAYS	322
COVER STAYS WITH BUTTON	323
COVER STAYS	324
DOOR STAYS / WIND STOPS	325-326
TELESCOPIC COVER STAYS	327
COVER STAY SHORT	328

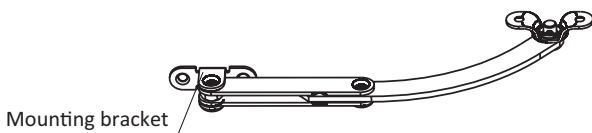
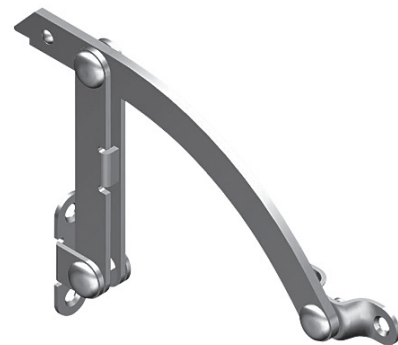
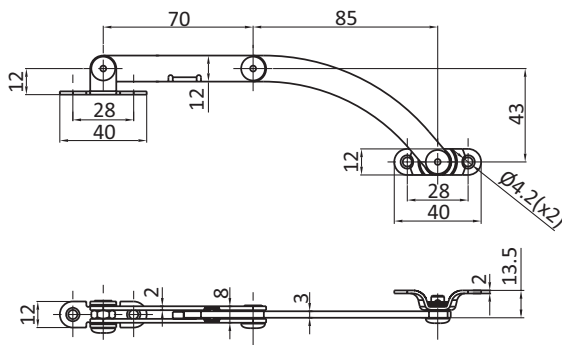
COVER STAYS

DESCRIPTION	To hold open flaps and doors
MATERIAL	Mild steel
COLOR	Nickel plated

Long size



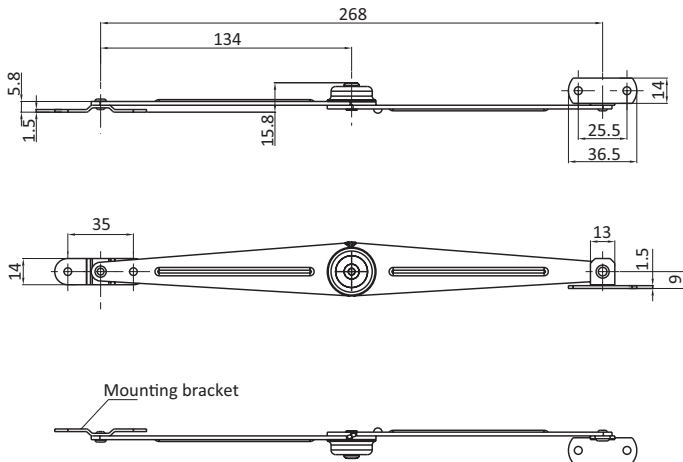
Short size



Cover Stays	L [mm]	Left Opening	Right Opening
	Long Size	0850159	0850161
	Short Size	0850160	0850162

COVER STAYS WITH BUTTON

DESCRIPTION	To hold open flaps and doors
MATERIAL	Mild steel
COLOR	Nickel plated



Cover Stays With Button

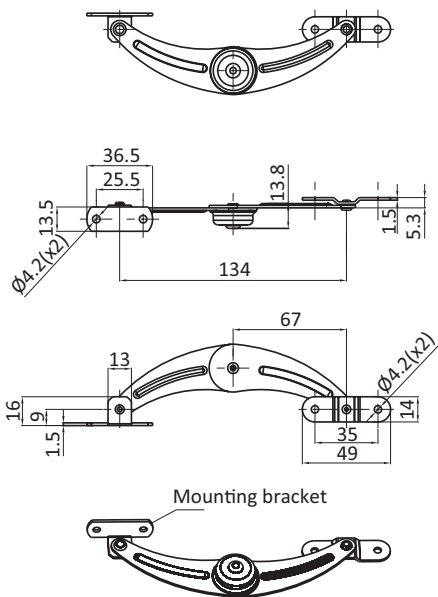
Left Opening

Right Opening

0850163

0850164

DESCRIPTION	To hold open flaps and doors
MATERIAL	Mild steel
COLOR	Nickel plated



Cover Stays With Button

Left Opening

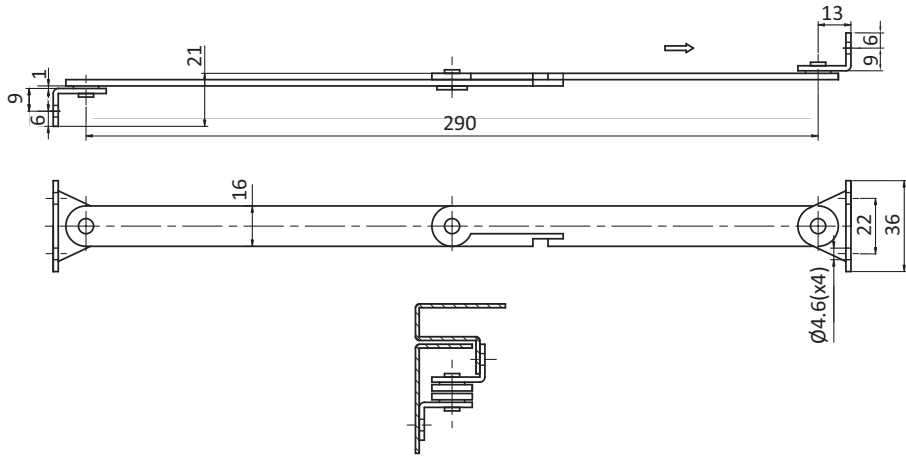
Right Opening

0813481

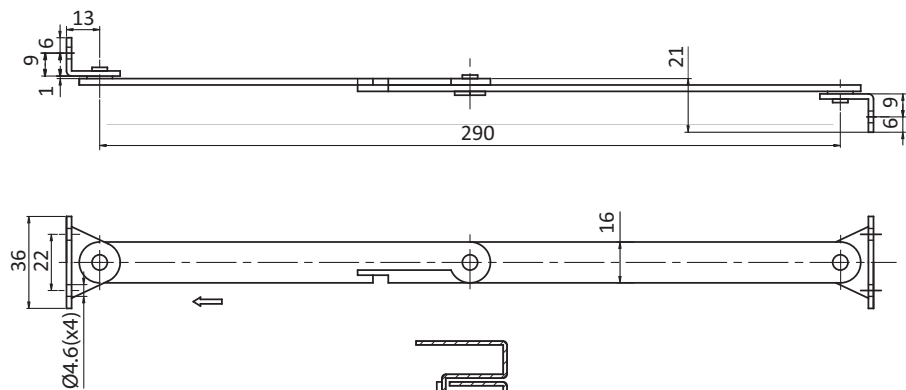
0813482

COVER STAYS

DESCRIPTION	To hold open flaps and doors
MATERIAL	Mild Steel 304 SS
COLOR	Nickel plated



Left opening



Right opening

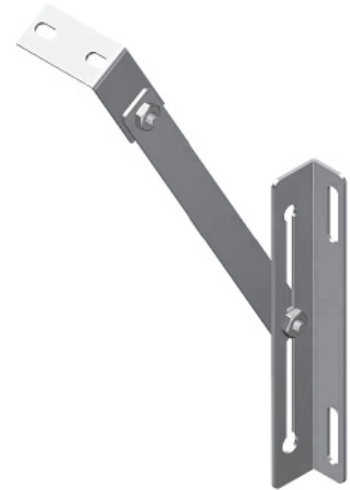
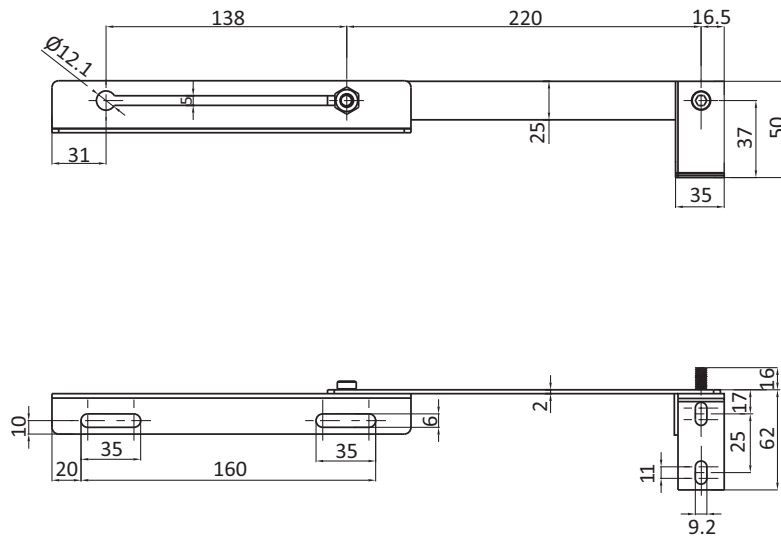


Cover Stays	Material	Left Opening	Right Opening
	Mild Steel	0890011	0890010
	304 SS	0890014	0890015

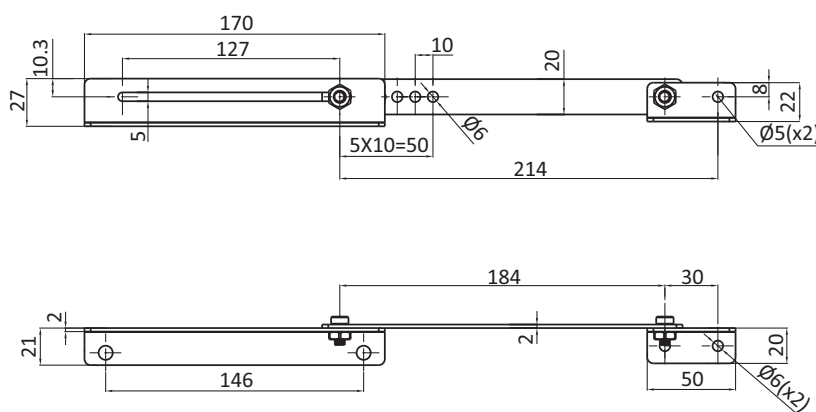
DOOR STAYS / WIND STOPS

DESCRIPTION	To hold open doors
MATERIAL	Mild Steel 304 SS
COLOR	Nickel plated

Long size



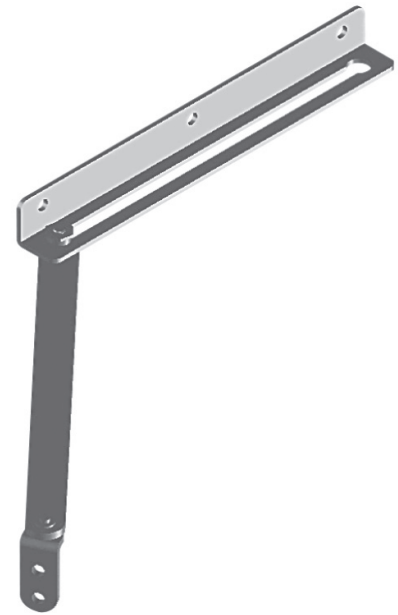
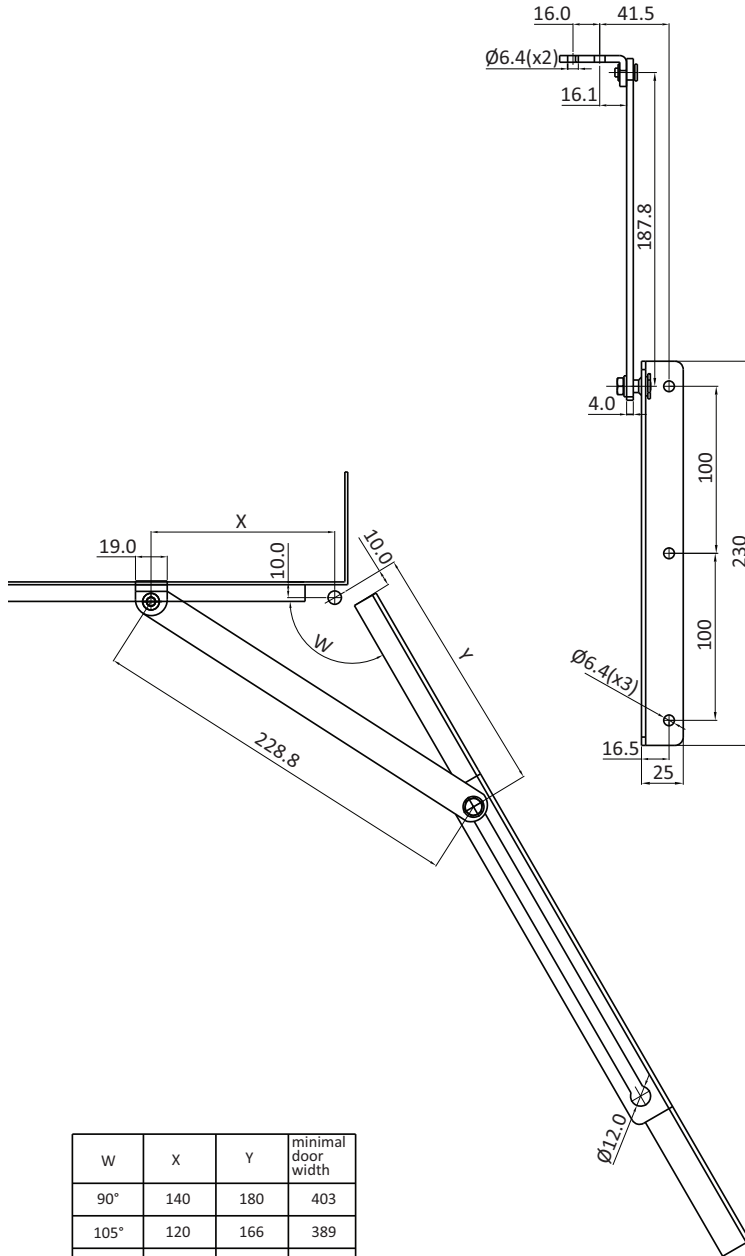
Short size



Door Stays / Wind Stops	Material	Long Size	Short Size
	Mild Steel	0890020	0890021
	304 SS	0890022	0890023

DOOR STAYS / WIND STOPS

DESCRIPTION	To hold open doors
MATERIAL	Mild Steel 304 SS
COLOR	Zinc plated



W	X	Y	minimal door width
90°	140	180	403
105°	120	166	389
120°	110	150	373
135°	100	146	369

Door Stays / Wind Stops

Material

Part #

Mild Steel

0890006

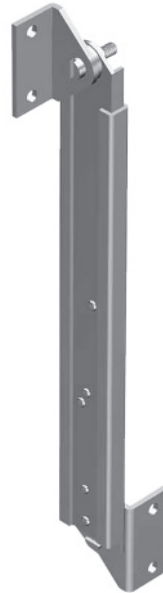
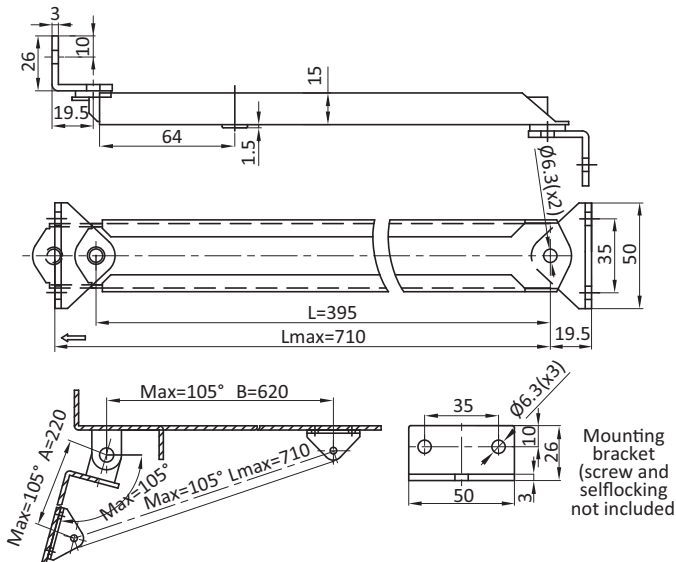
304 SS

0890006E

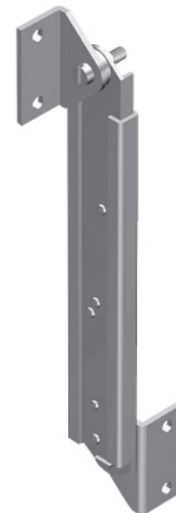
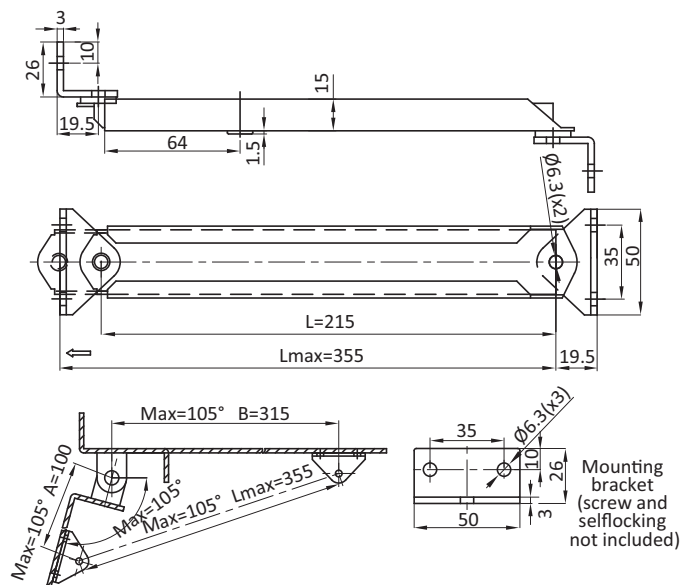
TELESCOPIC COVER STAYS

DESCRIPTION	To hold open flaps and doors
MATERIAL	Mild Steel 304 SS
COLOR	Zinc plated

Long size



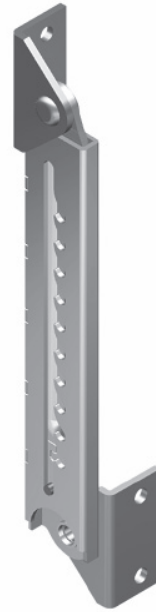
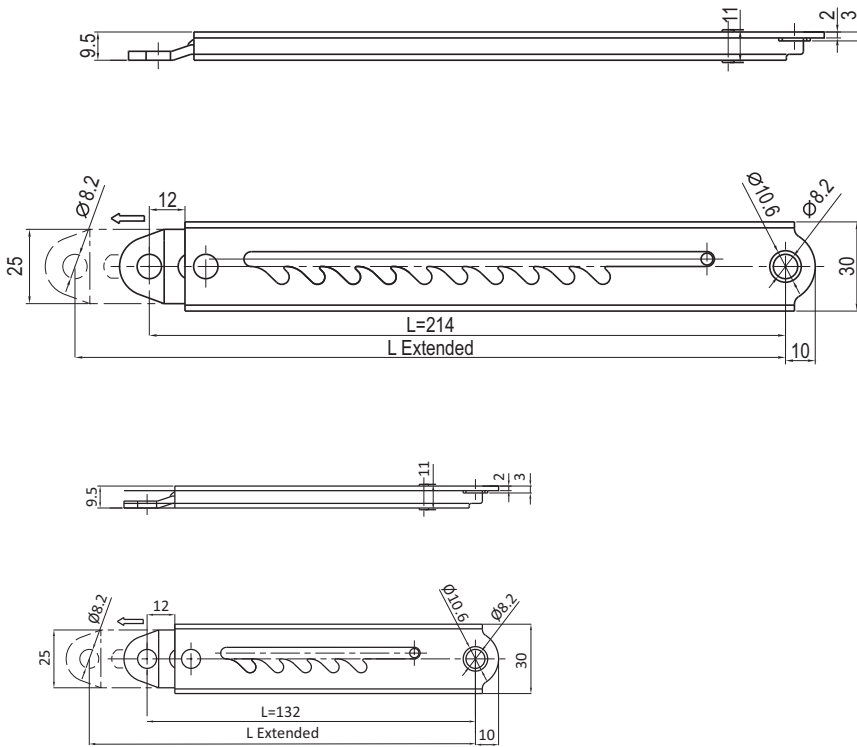
Short size



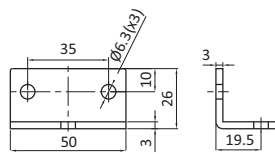
Telescopic Cover Stays	Long Size	Short Size
Mild Steel	0890024	0890025
Stainless Steel	0890024E	0890025E

COVER STAY SHORT

DESCRIPTION	To hold open flaps and doors
MATERIAL	Mild Steel
COLOR	Zinc plated



Stop	Long size L Extended	Short size L Extended
1.	234.5	164
2.	248	177
3.	261	189.5
4.	274.5	202
5.	288	214.5
6.	301	
7.	314.5	
8.	327	
9.	340.5	
10.	354	



Mounting bracket (screw and selflocking not include)
 Note: The cover stay is sold with mounting bracket and related accessories together as standard.

Cover Stay	Number of Stops	Part #
Short	5	0890026
Long	10	KT10799051
Long SS Version	10	KT10799051E

DIMENSIONAL TOLERANCES

Tolerances for Different Materials

Deviation limits ensures consistent quality (functionality, appearance...) of all FATH products. In case closer or wider tolerances are intended, these are indicated in the drawing.

1.1 Tolerances of Metal Parts

If not indicated otherwise, metal parts have tolerances according to DIN ISO 2768 – mK– E.

1.1.1 Deviation Limits for Linear Measures, Except Chamfered Edges

Closer or wider deviation limits are indicated in the drawing.

If not, tolerances of the nearest dimension range apply.

Deviation Limits for Linear Measures	Nominal dimension range [mm]	Deviation limits [mm]
	0.5 ≤ 6	± 0.1
	> 6 ≤ 30	± 0.2
	> 30 ≤ 120	± 0.3
	> 120 ≤ 400	± 0.5

1.1.2 Deviation Limits for Chamfered Edges

(External radii and chamfer heights)

Closer deviation limits are indicated in the drawing.

If not, tolerances of the nearest dimension range apply.

Deviation Limits for Nominal Dimension Range	Nominal dimension range [mm]	Deviation limits [mm]
Tolerance class "medium" Abbreviation m	0.5 ≤ 3	± 0.2
	> 3 ≤ 6	± 0.5
	> 6	± 1

1.1.3 Deviation Limits for Angular Dimensions

(External radii and chamfer heights)

Closer or wider deviation limits are indicated in the drawing.

If not, tolerances of the nearest dimension range apply.

Deviation Limits for Angular Dimensions	Nominal dimension range (shorter arm) [mm]	Deviation limits
Tolerance class "medium" Abbreviation m	≤ 10	± 1°
	> 10 ≤ 50	± 0°30'
	> 50 ≤ 120	± 0°20'
	> 120 ≤ 400	± 0°10'

DIMENSIONAL TOLERANCES (Excerpt from FATH norm 0055)

1.2 Tolerances of Plastic Parts

If not indicated otherwise, plastic parts have tolerances following DIN 16742 – TG2.

1.2.1 Plastic Part Tolerances as Symmetric Deviation Limits for

Dimensional Measures

Closer or wider deviation limits are indicated in the drawing.

If not, tolerances of the nearest dimension range apply.

Deviation Limits for Linear Measures	Nominal dimension range [mm]	Deviation limits [mm]
	1 ≤ 3	± 0.12
	> 3 ≤ 6	± 0.18
	> 6 ≤ 10	± 0.22
	> 10 ≤ 18	± 0.26
	> 18 ≤ 30	± 0.31
	> 30 ≤ 50	± 0.37
	> 50 ≤ 80	± 0.57
	> 80 ≤ 120	± 0.80
	>120 ≤ 180	± 0.93
	> 180 ≤ 250	± 1.05

1.2.2 Plastic Part Tolerances for Positioning Tolerances

Closer or wider deviation limits are indicated in the drawing.

If not, tolerances of the nearest dimension range apply.

Plastic Part Tolerances for Positioning Tolerances	Nominal dimension range [mm]	Diameter of the cylindrical tolerance areas [mm]
	1 ≤ 3	∅ 0.34
	> 3 ≤ 6	∅ 0.51
	> 6 ≤ 10	∅ 0.62
	> 10 ≤ 18	∅ 0.74
	> 18 ≤ 30	∅ 0.88
	> 30 ≤ 50	∅ 1.1
	> 50 ≤ 80	∅ 1.6
	> 80 ≤ 120	∅ 2.3
	>120 ≤ 180	∅ 2.6
	> 180 ≤ 250	∅ 3.0

All information is just for reference and does not pose a legally binding agreement about the product properties.

DIMENSIONAL TOLERANCES (Excerpt from FATH norm 0055)

1.3 Tolerances for Materials Not Specified in this Standard

For materials not specified in this standard the general tolerances from section 1.1 apply.

Deviant tolerances are declared in the drawing.

1.4 General Information about Tolerances at FATH

(...)

1.4.2 Tolerances on dimensions and shapes as well as on surfaces are to regard each separately (Principle of Independence according to EN ISO 8015)

1.4.3 CAD data sets and drawings, except for asymmetric tolerance specifications, comply with the nominal geometry dimensions.

1.4.4 All dimensions with general tolerances are excluded from the test report.

For plastic parts, DIN EN ISO 291 defines a standard climate for measuring: $23\text{ °C} \pm 2\text{ K}$ und $50\% \pm 10\%$ relative air humidity.

In the title block:

“Tolerances according to ISO 8015 (AD) – DIN EN ISO 291:2008-08” is indicated.

1.4.5 For the measurement of radii, 90° or more of the circle segment has to be accessible for measurement.

1.4.6 Positional tolerances are no general tolerances. If functionality requires so, these are indicated directly in the drawing and have to be measured.

1.5 Rejection

“Unless otherwise stated, workpieces exceeding the general tolerance shall not lead to automatic rejection provided that the ability of the workpiece to function is not impaired. The tolerance the function allows is often greater than the general tolerance. The function of the part is, therefore, not always impaired when the general tolerance is (occasionally) exceeded at any feature of the workpiece. Exceeding the general tolerance should lead to a rejection of the workpiece only if the function is impaired.”

(DIN ISO 2768 – issue 04.91)

COLORS (Excerpt from FATH norm 0072)

FATH Color Map	RAL color name	RAL number	Indication on drawing	Usage, notes
	Signal yellow	1003	RAL 1003 Signal yellow according to FATH Standard 0072	FATH Standard
	Daffodil yellow	1007	RAL 1007 Daffodil yellow according to FATH Standard 0072	
	Zinc yellow	1018	RAL 1018 Zinc yellow according to FATH Standard 0072	
	Traffic yellow	1023	RAL 1023 Traffic yellow according to FATH Standard 0072	
	Pastel orange	2003	RAL 2003 Pastel orange according to FATH Standard 0072	
	Pure orange	2004	RAL 2004 Pure orange according to FATH Standard 0072	
	Flame red	3000	RAL 3000 Flame red according to FATH Standard 0072	
	Carmine red	3002	RAL 3002 Carmine red according to FATH Standard 0072	
	Ruby red	3003	RAL 3003 Ruby red according to FATH Standard 0072	
	Purple red	3004	RAL 3004 Purple red according to FATH Standard 0072	
	Traffic red	3020	RAL 3020 Traffic red according to FATH Standard 0072	FATH Standard
	Violet blue	5000	RAL 5000 Violet blue according to FATH Standard 0072	
	Signal blue	5005	RAL 5005 Signal blue according to FATH Standard 0072	
	Gray blue	5008	RAL 5008 Gray blue according to FATH Standard 0072	
	Gentian blue	5010	RAL 5010 Gentian blue according to FATH Standard 0072	
	Pigeon blue	5014	RAL 5014 Pigeon blue according to FATH Standard 0072	
	Traffic blue	5017	RAL 5017 Traffic blue according to FATH Standard 0072	
	Water blue	5021	RAL 5021 Water blue according to FATH Standard 0072	
	Night blue	5022	RAL 5022 Night blue according to FATH Standard 0072	
	Turquoise green	6016	RAL 6016 Turquoise green according to FATH Standard 0072	
	Traffic green	6024	RAL 6024 Traffic green according to FATH Standard 0072	
	Signal green	6032	RAL 6032 Signal green according to FATH Standard 0072	FATH Standard
	Squirrel gray	7000	RAL 7000 Squirrel gray according to FATH Standard 0072	
	Silver gray	7001	RAL 7001 Silver gray according to FATH Standard 0072	
	Signal gray	7004	RAL 7004 Signal gray according to FATH Standard 0072	B
	Iron gray	7011	RAL 7011 Iron gray according to FATH Standard 0072	
	Basalt gray	7012	RAL 7012 Basalt gray according to FATH Standard 0072	
	Anthracite gray	7016	RAL 7016 Anthracite gray according to FATH Standard 0072	
	Stone gray	7030	RAL 7030 Stone gray according to FATH Standard 0072	
	Light gray	7035	RAL 7035 Light gray according to FATH Standard 0072	
	Dusty gray	7037	RAL 7037 Dusty gray according to FATH Standard 0072	
	Window gray	7040	RAL 7040 Window gray according to FATH Standard 0072	
	Traffic gray A	7042	RAL 7042 Traffic gray A according to FATH Standard 0072	FATH Standard / I
	Traffic gray B	7043	RAL 7043 Traffic gray B according to FATH Standard 0072	
	Gray brown	8019	RAL 8019 Gray brown according to FATH Standard 0072	
	Cream	9001	RAL 9001 Cream according to FATH Standard 0072	
	Gray white	9002	RAL 9002 Gray white according to FATH Standard 0072	
	Signal white	9003	RAL 9003 Signal white according to FATH Standard 0072	
	Jet black	9005	RAL 9005 Jet black according to FATH Standard 0072	
	White aluminum	9006	RAL 9006 White aluminium According to FATH Standard 0072	
	Gray aluminum	9007	RAL 9007 Gray aluminium according to FATH Standard 0072	
	Pure white	9010	RAL 9010 Pure white according to FATH Standard 0072	
	Traffic white	9016	RAL 9016 Traffic white according to FATH Standard 0072	
	Pearl light gray	9022	RAL 9022 Pearl light gray according to FATH Standard 0072	

All information is just for reference and does not pose a legally binding agreement about the product properties.

SURFACE SPECIFICATIONS AT FATH (Excerpt from FATH norm 0073)

General Specifications for Surfaces

Dimensions on product drawings relate to the finished product.
 Coating thicknesses must be taken into consideration for production.

1.1 Powder Coatings

Color	Gloss level	Flatness	Possible powder	Indication on drawing
Black	Matt	Flat	AKZO NOBEL Interpon Autobody MN206D	Powder coated black according to FATH 0073
Metallic	Matt	Flat	OXYPLAST PE82 ANO-LOOK	Powder coated metallic according to FATH 0073

1.2 Galvanic Zinc Coating

Galvanizing declaration according to DIN 50960 *et sq.*

Standard	Basic material	Coating	Chromating	Additional information
DIN 50961	Fe = Steel, iron	Zn = Zinc	X = Arbitrary	mt = Matt
	Zn = Zinc	Cd = Cadmium	A = Colorless	bk = Plain
	Cu = Copper	Ni = Nickel	B = Blue	gl = Glossy
	Al = Aluminum	Cu = Copper	C = yellow	hgl = Highly glossy
		Cr = Chrome	D = Olive green	
		Sn = Tin	E = Green	
		Ag = Silver	F = Black	
		Au = Gold		

DIN 50961 – Galvanic coatings – Zinc coatings on iron or steel

DIN 50962 – Galvanic coatings – chromated coatings of zinc alloys on iron and steel

DIN 50965 – Galvanic coatings – Tin-coatings on iron steel and on copper and copper alloys

1.2.1 Zinc Flake Coating

Coating according to DIN EN ISO 10683 for fasteners.

DIN 50961 – Fe/Zn 5 B gl according to FATH 0073

SURFACE SPECIFICATIONS AT FATH (Excerpt from FATH norm 0073)

General Specifications for Surfaces

Dimensions on product drawings relate to the finished product.
 Coating thicknesses must be taken into consideration for production.

1.1 Powder Coatings

Designation 1	Processing
E0	Degrease and deoxidize
E1	Grind
E2	Brush
E3	Polish
E4	Grind and brush
E5	Grind and polish
E6	Pickling
E7	Chemical or electrochemical polish
E8	Polish and chemical or electrochemical polish

1.3 Anodize

DIN 17611 governs the surface quality of anodized parts. Designation is composed as follows:

Designation 2	Color	Class	Layer thickness [µm]	Location and stress
EV 1	<i>Natural</i>	10	10	<i>Interior, dry</i>
EV 2	<i>Nickel silver</i>	15	15	<i>Interior, temporarily wet / rural climate</i>
EV 3	<i>Gold</i>	20	20	<i>Exterior, urban and rural climate</i>
EV 4 <i>Medium bronze</i>		25	25	<i>Aggressive climate, e.g. a combination of industrial and maritime climate</i>
EV 5 <i>Dark bronze</i>				
EV 6 <i>Black</i>				
C 0 <i>Colorless</i>				
C 31 <i>Light bronze</i>				
C 32 <i>Bright bronze</i>				
C 33 <i>Medium bronze</i>				

1.4 Painting

A completely covered surface is required.

DIN 17611 – E6/EV1 nature class 10 according to FATH 0073

1.5. Phosphating

Light to medium corrosion protection. Low friction, good sliding properties.

1.6 Burnishing

Surface finishing for iron and steel parts, no corrosion protection. Dipping in oil emulsion. Surface coloring brown / black.

1.7 Chromate - Passivate

Surface finish with light corrosion protection for die-cast aluminum and zinc.

Standard: yellow or colorless (chrome VI free)

Very good primer for lacquers and powder coatings.

SURFACE SPECIFICATIONS AT FATH (Excerpt from FATH norm 0073)

1.8 Barrel Finishing

Preparatory treatment for further finishing (coloring, powder coating...). For bulk ware with smaller irregularities.

1.9. Sandblasting – Glass Bead Blasting

Preparatory treatment for further finishing (coloring, powder coating...). For single parts.

1.10 Roughness and Function Specification of Surfaces

1.10.1 Erosion Structure on visible Plastic Surfaces

All visible surfaces of plastic parts have an eroded structure according to VDI 3400.

Ejectors may not be placed on visible surfaces if not indicated otherwise.

This is a Ra value of approximately 6.3.

Comparison table VDI 3400 – DIN EN ISO 1302 (approx. values)	Value VDI	Value DIN EN ISO 1302 [µm]	ISO 1302
	18	0.8	N6
	25	1.6	N7
	30	3.2	N8
	36 6.3		N9
	42 12.5		N10
	45 18		N10

1.10.2 Surface Specifications According to DIN EN ISO 1302

Drawings created at FATH usually provide no surface specifications. Manufacturers are intended to be “as free as possible” in manufacturing as far as all dimensions are correct. In case surface specifications are made on the drawing these are related to DIN ISO 1302.

If not indicated otherwise, surface specifications refer to the Ra-value.

Visible surfaces erode VDI 3400; Ref. No. XX according to FATH 0073

INTERNATIONAL STAINLESS STEEL STANDARDS

Germany		U.S.A.	U.K.	EU	France	Italy	Japan	Russia	Sweden	Spain
W.N. 17007	DIN 17006	AISI	BSI	EURONORM	AFNOR	UNI	JIS	GOST	SIS	UNE
1.4000	X 6 Cr 13	410 S ³⁾	403S17	X 6 Cr 13	Z 6 C 13	X 6 Cr 13	SUS 410S		23 01	
1.4000	X 6 Cr 13	403 ³⁾	403S17	X 10 Cr 13	Z 12 C 13	X 12 Cr 13	SUS 403		23 02	
1.4006	X 10 Cr 13			X 12 Cr 13						
1.4024	X 15 Cr 13									
1.4000	X 6 Cr 13	410 ³⁾	410S21	X 12 Cr 13	Z 10 C 13	X 12 Cr 13	SUS 410	08Kh13	23 02	X 12 Cr 13
1.4006	X 10 Cr 13				Z 12 C 13					
1.4024	X 15 Cr 13									
1.4002	X 6 CrAl 13	405 ³⁾	405S17	X 6 CrAl 13	Z 6 CA 13	X 6 CrAl 13	SUS 405			X 6 CrAl 13
1.4104	X 6 CrMoS17	430 F ³⁾	441S01	X12CrMoS17	Z13 CF 17	X 10 CrS 17	SUS 430F		23 83	
1.4301	X 5 CrNi 18 10	304 ¹⁾	304S15	X 6 CrNi 18 10	Z 6 CN 18-09	X 5 CrNi 1810	SUS 304	08KH18N10	23 32	X 6 CrNi 19-10
1.4303	X 5 CrNi 18 12		304S16					06KH18N11		
1.4305	X 10 CrNiS 18 9	303 ¹⁾	303S21	X 10 CrNiS 18 9	Z 10 CNF 18-09	X 10 CrNiS 1809	SUS 303		23 46	X 10 CrNiS 18-09
1.4306	X 2 CrNi 18 11	304 L ¹⁾	304S11	X 3 CrNi 18 10	Z 2 CN 18-10	X 2 CrNi 1911	SUS 304L	03KH18N11	23 52	X 2 CrNi 19-10
1.4310	X 12 CrNi 17 7	301 ¹⁾	301S21	X 12 CrNi 17 7	Z 12 CN 17-07	X 12 CrNi 1707	SUS 301		23 31	X 12 CrNi 17-07
1.4311	X 2 CrNiN 18 10				Z 2 CN 18-10-Az	X 2 CrNiN 1811	SUS 304LN		23 71	
1.4319	X 5 CrNi 18 7	302 ¹⁾	302S25	X 10 CrNi 18 9	Z 10 CN 18-09	X 10 CrNi 1809	SUS 302	12KH18N9	23 31	X 10 CrNi 18-09
1.4401	X 5 CrNiMo 17 12 2	316 ¹⁾	316S31	X 6 CrNiMo 17 12 2	Z 6 CND 17-11	X 5 CrNiMo 1712	SUS 316		23 47	X 6 CrNiMo 17-12-03
1.4404	X 2 CrNiMo 17 13 2	316 L ¹⁾	316S11	X 3 CrNiMo 17 12 2	Z 2 CND 17-12	X 2 CrNiMo 1712	SUS 316L		23 48	X 2 CrNiMo 17-12-03
1.4406	X 2 CrNiMoN 17 12 2				Z 2 CND 17-12-Az	X 2 CrNiMoN 1712	SUS 316LN	03KH16N15M3		
1.4427	X 12 CrNiMoS 18 11	316 F ¹⁾								
1.4429	X 2 CrNiMoN 17 13 3				Z 2 CND 17-13-Az	X 2 CrNiMoN 1713		08KH17N13M2T 10KH17N13M2T	23 75	
1.4435	X 2 CrNiMo 18 14 3	316 L ¹⁾	316S13	X 3 CrNiMo 17 13 3	Z 2 CND 17-13	X 2 CrNiMo 1713			23 53	X 2 CrNiMo 17-12-03
1.4436	X 5 CrNiMo 17 13 3	316 ¹⁾	316S33	X 6 CrNiMo 17 13 3	Z 6 CND 17-12	X 5 CrNiMo 1713	SUS 316		23 43	X 6 CrNiMo 17-12-03
1.4438	X 2 CrNiMo 18 16 4	317 L ¹⁾	317S12	X 3 CrNiMo 18 16 4	Z 2 CND 19-15	X 2 CrNiMo 1815	SUS 317L		23 67	
1.4438	X 2 CrNiMo 18 16 4	317 L ¹⁾	317S12	X 3 CrNiMo 18 16 4	Z 2 CND 19-15	X 2 CrNiMo 1816	SUS 317L		23 67	
1.4460	X 8 CrNiMo 27 5	329 ¹⁾					SUS 329J1	08KH18N12B	2324	
1.4462	X 2 CrNiMoN 22 5	UNS31803 ²⁾								
1.4501	X 3 CrNiMoN 25 7	UNS32760 ²⁾			Z 3 CND 25-06Az		12Kh13			
1.4512	X 6 CrTi 12	409 ³⁾	409S19	X 5 CrTi 12	Z 6 CT 12	X 6 CrTi 12	SUH 409			
1.4541	X 6 CrNiTi 18 10	321 ¹⁾	321S31	X 6 CrNiTi 18 10	Z 6 CNT 18-10	X 6 CrNiTi 1811	SUS 321	12KH18N10T	23 37	X 6 CrNiTi 18-11
1.4878	X 12 CrNiTi 18 9									
1.4550	X 6 CrNiNb 18 10	347 1)	347S31	X 6 CrNiNb 18 10	Z 6 CNNb 18-10	X 6 CrNiNb 1811	SUS 347		23 38	X 6 CrNiNb 18-11
1.4571	X 6 CrNiMoTi 17 12 2		320S31	X 6 CrNiMoTi 17 12 2	Z 6 CNDT 17-12	X 6 CrNiMoTi 1712		08KH17N13M2T 10KH17N13M2T	23 50	X 6 CrNiMoTi 17-12-03
1.4573	X 10 CrNiMoTi 18 12		320S33	X 6 CrNiMoTi 17 13 3		X 6 CrNiMoTi 1713		08KH16N13M2B		X 6 CrNiMoTi 17-12-03
1.4580	X 6 CrNiMoNb 17 12 2			X 6 CrNiMoNb 17 12 2	Z 6 CNDNb 17-12	X 6 CrNiMoNb 1712		09KH16N15M3B		
1.4583	X 10 CrNiMoNb 18 12			X 6 CrNiMoNb 17 13 3		X 6 CrNiMoNb 1713				
1.4713	X 10 CrAl 7			X 10 CrAl 7	Z 8 CA 7			10Kh13SYu		
1.4724	X 10 CrAl 13					X 10 CrAl 12		15Kh18SYu		
1.4742	X 10 CrAl 18			X 10 CrSiAl 18						
1.4821	X 20 CrNiSi 25 4									
1.4828	X 15 CrNiS 20 12	309 1)	309S24	X 15 CrNi 23 13	Z 15 CN 24-13	X 16 CrNi 2314	SUH 309			
1.4841	X 15 CrNiSi 25 20	314 ¹⁾		X 15 CrNiSi 25 20	Z 12 CNS 25-20	X 16 CrNiSi 2520				
1.4842	X 12 CrNi 25 20	310 S ¹⁾		X 6 CrNi 25 20	Z 12 CN 25-20	X 5 CrNi 2520	SUS 310S	20KH25N20S2	23 61	
1.4845	X 12 CrNi 25 21	310 ¹⁾	310S24			X 22 CrNi 2520	SUH 310	10KH23N18		
1.4864	X 12 NiCrSi 36 16	330 ¹⁾			Z 12NCS 35-16		SUH 330	08KH18N10T		
1.4939		904 L ¹⁾			Z 12 CNDV 12-02					

- 1) austenitic grades
- 2) austenitic-ferritic grades
- 3) ferritic grades

CONVERSION FACTORS FOR LINEAR MEASURES

to convert from	to	multiply by
Centimeter [cm]	<i>Inch</i> [in]	0,3937
Meter [m]	Yard [yd]	1,093
Kilometer [km]	Mile	0,6215
Zoll <i>Inch</i> [in]	Centimeter [cm]	2,54
Yard [yd]	Meter [m]	0,9144
Mile	Kilometer [km]	1,609

1 Meter [m] = 100 cm = 1000 mm

1 foot [ft] = 12 in
 1 yard [yd] = 3 ft = 36 in

CONVERSION FACTORS FOR SQUARE MEASURES

to convert from	to	multiply by
Quadratcentimeter [cm ²]	Square inch [sqin]	0,155
Quadratmeter [m ²]	Square foot [sqft]	10,764
Quadratmeter [m ²]	Square Yard [yd ²]	1,196
Quadratkilometer [km ²]	Acre [ac]	247,1
Quadratkilometer [km ²]	Square Miles [sqmi]	0,3861
Square inch [sqin]	Quadratcentimeter [cm ²]	6,45
Square foot [sqft]	Quadratmeter [m ²]	0,093
Square Yard [yd ²]	Quadratmeter [m ²]	0,836
Acre [ac]	Quadratkilometer [km ²]	0,004
Square Miles [sqmi]	Quadratkilometer [km ²]	2,5899

1 Quadratkilometer [km²] = 100 Hektar [ha] =
 10.000 Ar [a] = 1.000.000 Quadratmeter [m²]
 1 Quadratmeter [m²] = 10.000 Quadratzentimeter [cm²] =
 1.000.000 Quadratmillimeter [mm²]

1 Square Mile = 640 Acres [ac.]
 1 Acres [ac.] = 4.840 Square Yards [sq yd]
 1 Square Yard [sq yd] = 9 Square foot [sq ft]

CONVERSION FACTORS FOR SOLID MEASURES

to convert from	to	multiply by
Liter [l]	Cubic inch [cu in]	61.025
Liter [l]	Cubic foot [cu ft]	0.0353
Liter [l]	US-Quart	1.0567
Liter [l]	US-Gallon	0.2642
Liter [l]	GB-Gallon	0.2200
Cubikcentimeter [cm ³] / Milliliter [ml]	Cubic Inch [cu in]	0.061
Cubic Inch [sq in]	Cubikcentimeter [cm ³] / Milliliter [ml]	16.387
Cubic Inch [cu in]	Liter [l]	0.0163
Cubic Foot [cu ft]	Liter [l]	28.317
GB-Gallon	Liter [l]	4.545
US-Gallon	Liter [l]	3.7853
US-Quart	Liter [l]	0.9463
1 Barrel [Ölmaß]	Liter [l]	159

1 Kubikmeter [m³] = 1.000 Kubikdezimeter [dm³] = 1.000.000 Kubikzentimeter [cm³] / Milliliter [ml]
 1 Hektoliter [hl] = 100 Liter [l] = 100 Kubikdezimeter [dm³] = 1.000 Deziliter [dl]

CONVERSION FACTORS FOR WEIGHTS

to convert from	to	multiply by
Gramm [g]	Ounce [oz]	0,0353
Kilogramm [kg]	Pound [lb]	2,2046
Ounce [oz]	Gramm [g]	28,3495
Pound [lb]	Kilogramm [kg]	0,45359

1 Kilogramm [kg] = 1000 g

1 Pound [lb] = 16 oz

CONVERSION FACTORS FOR TEMPERATURES

to convert from	to	Formula
Fahrenheit [°F]	Celsius [°C]	$^{\circ}\text{C} = (^{\circ}\text{F} - 32) \times 5/9$
Celsius [°C]	Fahrenheit [°F]	$^{\circ}\text{F} = 9/5 \times ^{\circ}\text{C} + 32$

0 °F = -17,8 °C
32 °F = 0 °C
50 °F = 10 °C
212 °F = 100 °C

0 °C = 32 °F
10 °C = 50 °F
37 °C = 98,6 °F
100 °C = 212 °F

CONVERSION FACTORS FOR SPEED

to convert from	to	multiply by
Stundenkilometer [km/h]	Miles per hour [mph]	0,6215
Miles per hour [mph]	Stundenkilometer [km/h]	1,609

55 mph = 89 km/h
60 mph = 96 km/h
65 mph = 104 km/h
70 mph = 113 km/h
75 mph = 121 km/h

30 km/h = 19 mph
50 km/h = 31 mph
80 km/h = 50 mph
100 km/h = 62 mph
130 km/h = 81 mph

CONVERSION FACTORS FOR DIMENSIONS

Inches (Fraction)	Decimal Inches	Inches												
		0"	1"	2"	3"	4"	5"	6"	7"	8"	9"	10"	11"	
													Millimeter	Millimeters
0"	0,0000	0,00	25,40	50,80	76,20	101,60	127,00	152,40	177,80	203,20	228,60	254,00	279,40	
1/64"	0,0156	0,40	25,80	51,20	76,60	102,00	127,40	152,80	178,20	203,60	229,00	254,40	279,80	
1/32	0,0313	0,79	26,19	51,59	76,99	102,39	127,79	153,19	178,59	203,99	229,39	254,79	280,19	
3/64	0,0469	1,19	26,59	51,99	77,39	102,79	128,19	153,59	178,99	204,39	229,79	255,19	280,59	
1/16	0,0625	1,59	26,99	52,39	77,79	103,19	128,59	153,99	179,39	204,79	230,19	255,59	280,99	
5/64	0,0781	1,98	27,38	52,78	78,18	103,58	128,98	154,38	179,78	205,18	230,58	255,98	281,38	
3/32	0,0938	2,38	27,78	53,18	78,58	103,98	129,38	154,78	180,18	205,58	230,98	256,38	281,78	
7/64	0,1094	2,78	28,18	53,58	78,98	104,38	129,78	155,18	180,58	205,98	231,38	256,78	282,18	
1/8	0,1250	3,18	28,58	53,98	79,38	104,78	130,18	155,58	180,98	206,38	231,78	257,18	282,58	
9/64	0,1406	3,57	28,97	54,37	79,77	105,17	130,57	155,97	181,37	206,77	232,17	257,57	282,97	
5/32	0,1563	3,97	29,37	54,77	80,17	105,57	130,97	156,37	181,77	207,17	232,57	257,97	283,37	
11/64	0,1719	4,37	29,77	55,17	80,57	105,97	131,37	156,77	182,17	207,57	232,97	258,37	283,77	
3/16	0,1875	4,76	30,16	55,56	80,96	106,36	131,76	157,16	182,56	207,96	233,36	258,76	284,16	
13/64	0,2031	5,16	30,56	55,96	81,36	106,76	132,16	157,56	182,96	208,36	233,76	259,16	284,56	
7/32	0,2188	5,56	30,96	56,36	81,76	107,16	132,56	157,96	183,36	208,76	234,16	259,56	284,96	
15/64	0,2344	5,95	31,35	56,75	82,15	107,55	132,95	158,35	183,75	209,15	234,55	259,95	285,35	
1/4	0,2500	6,35	31,75	57,15	82,55	107,95	133,35	158,75	184,15	209,55	234,95	260,35	285,75	
17/64	0,2656	6,75	32,15	57,55	82,95	108,35	133,75	159,15	184,55	209,95	235,35	260,75	286,15	
9/32	0,2813	7,14	32,54	57,94	83,34	108,74	134,14	159,54	184,94	210,34	235,74	261,14	286,54	
19/64	0,2969	7,54	32,94	58,34	83,74	109,14	134,54	159,94	185,34	210,74	236,14	261,54	286,94	
5/16	0,3125	7,94	33,34	58,74	84,14	109,54	134,94	160,34	185,74	211,14	236,54	261,94	287,34	
21/64	0,3281	8,33	33,73	59,13	84,53	109,93	135,33	160,73	186,13	211,53	236,93	262,33	287,73	
11/32	0,3438	8,73	34,13	59,53	84,93	110,33	135,73	161,13	186,53	211,93	237,33	262,73	288,13	
23/64	0,3594	9,13	34,53	59,93	85,33	110,73	136,13	161,53	186,93	212,33	237,73	263,13	288,53	
3/8	0,3750	9,53	34,93	60,33	85,73	111,13	136,53	161,93	187,33	212,73	238,13	263,53	288,93	
25/64	0,3906	9,92	35,32	60,72	86,12	111,52	136,92	162,32	187,72	213,12	238,52	263,92	289,32	
13/32	0,4063	10,32	35,72	61,12	86,52	111,92	137,32	162,72	188,12	213,52	238,92	264,32	289,72	
27/64	0,4219	10,72	36,12	61,52	86,92	112,32	137,72	163,12	188,52	213,92	239,32	264,72	290,12	
7/16	0,4375	11,11	36,51	61,91	87,31	112,71	138,11	163,51	188,91	214,31	239,71	265,11	290,51	
29/64	0,4531	11,51	36,91	62,31	87,71	113,11	138,51	163,91	189,31	214,71	240,11	265,51	290,91	
15/32	0,4688	11,91	37,31	62,71	88,11	113,51	138,91	164,31	189,71	215,11	240,51	265,91	291,31	
31/64	0,4844	12,30	37,70	63,10	88,50	113,90	139,30	164,70	190,10	215,50	240,90	266,30	291,70	
1/2	0,5000	12,70	38,10	63,50	88,90	114,30	139,70	165,10	190,50	215,90	241,30	266,70	292,10	
33/64	0,5156	13,10	38,50	63,90	89,30	114,70	140,10	165,50	190,90	216,30	241,70	267,10	292,50	
17/32	0,5313	13,49	38,89	64,29	89,69	115,09	140,49	165,89	191,29	216,69	242,09	267,49	292,89	
35/64	0,5469	13,89	39,29	64,69	90,09	115,49	140,89	166,29	191,69	217,09	242,49	267,89	293,29	
9/16	0,5625	14,29	39,69	65,09	90,49	115,89	141,29	166,69	192,09	217,49	242,89	268,29	293,69	
37/64	0,5781	14,68	40,08	65,48	90,88	116,28	141,68	167,08	192,48	217,88	243,28	268,68	294,08	
19/32	0,5938	15,08	40,48	65,88	91,28	116,68	142,08	167,48	192,88	218,28	243,68	269,08	294,48	
39/64	0,6094	15,48	40,88	66,28	91,68	117,08	142,48	167,88	193,28	218,68	244,08	269,48	294,88	
5/8	0,6250	15,88	41,28	66,68	92,08	117,48	142,88	168,28	193,68	219,08	244,48	269,88	295,28	
41/64	0,6406	16,27	41,67	67,07	92,47	117,87	143,27	168,67	194,07	219,47	244,87	270,27	295,67	
21/32	0,6563	16,67	42,07	67,47	92,87	118,27	143,67	169,07	194,47	219,87	245,27	270,67	296,07	
43/64	0,6719	17,07	42,47	67,87	93,27	118,67	144,07	169,47	194,87	220,27	245,67	271,07	296,47	
11/16	0,6875	17,46	42,86	68,26	93,66	119,06	144,46	169,86	195,26	220,66	246,06	271,46	296,86	
45/64	0,7031	17,86	43,26	68,66	94,06	119,46	144,86	170,26	195,66	221,06	246,46	271,86	297,26	
23/32	0,7188	18,26	43,66	69,06	94,46	119,86	145,26	170,66	196,06	221,46	246,86	272,26	297,66	
47/64	0,7344	18,65	44,05	69,45	94,85	120,25	145,65	171,05	196,45	221,85	247,25	272,65	298,05	
3/4	0,7500	19,05	44,45	69,85	95,25	120,65	146,05	171,45	196,85	222,25	247,65	273,05	298,45	
49/64	0,7656	19,45	44,85	70,25	95,65	121,05	146,45	171,85	197,25	222,65	248,05	273,45	298,85	
25/32	0,7813	19,84	45,24	70,64	96,04	121,44	146,84	172,24	197,64	223,04	248,44	273,84	299,24	
51/64	0,7969	20,24	45,64	71,04	96,44	121,84	147,24	172,64	198,04	223,44	248,84	274,24	299,64	
13/16	0,8125	20,64	46,04	71,44	96,84	122,24	147,64	173,04	198,44	223,84	249,24	274,64	300,04	
53/64	0,8281	21,03	46,43	71,83	97,23	122,63	148,03	173,43	198,83	224,23	249,63	275,03	300,43	
27/32	0,8438	21,43	46,83	72,23	97,63	123,03	148,43	173,83	199,23	224,63	250,03	275,43	300,83	
55/64	0,8594	21,83	47,23	72,63	98,03	123,43	148,83	174,23	199,63	225,03	250,43	275,83	301,23	
7/8	0,8750	22,23	47,63	73,03	98,43	123,83	149,23	174,63	200,03	225,43	250,83	276,23	301,63	
57/64	0,8906	22,62	48,02	73,42	98,82	124,22	149,62	175,02	200,42	225,82	251,22	276,62	302,02	
29/32	0,9063	23,02	48,42	73,82	99,22	124,62	150,02	175,42	200,82	226,22	251,62	277,02	302,42	
59/64	0,9219	23,42	48,82	74,22	99,62	125,02	150,42	175,82	201,22	226,62	252,02	277,42	302,82	
15/16	0,9375	23,81	49,21	74,61	100,01	125,41	150,81	176,21	201,61	227,01	252,41	277,81	303,21	
61/64	0,9531	24,21	49,61	75,01	100,41	125,81	151,21	176,61	202,01	227,41	252,81	278,21	303,61	
31/32	0,9688	24,61	50,01	75,41	100,81	126,21	151,61	177,01	202,41	227,81	253,21	278,61	304,01	
63/64	0,9844	25,00	50,40	75,80	101,20	126,60	152,00	177,40	202,80	228,20	253,60	279,00	304,40	

PART NUMBER INDEX

6MHM75100D40	261	087SPET11911	273	095K2020F00	154	081005S01275190RE	12
6MHM75100S40	260	087SPET12911	278	095K2525F00	155	081005S01275190RE	67
9A040K10055MS01	264	087SPET13911	278	095K2525L00	155	081005S01280590L	12
9D080KB3/8-6MS01	264	087SPET14911	278	095K2525R00	155	081005S01280590L	67
9E040KGU1/2-2,5MNS01	265	087SPET15911	278	095K3030F00	155	081005S01280590LE	12
9SM050ZPG1/2-2M	265	087SPST01911	280	095K3030L00	155	081005S01280590LE	67
087EPE01711	269	087SPST02911	280	095K3030R00	155	081005S01280590R	12
087EPE01911	269	087SPST03911	280	095K3535F00	155	081005S01280590R	67
087EPE01931	269	087SPST04911	280	095K3535L00	155	081005S01280590RE	12
087EPE02911	269	092EBF1-2ID30	252	095K3535R00	155	081005S01280590RE	67
087EPE02931	269	092EBF3-8ID24S01	252	095K4040F00	155	081005S01375190L	12
087EPE02941	269	093VS06	258	095K4040L00	155	081005S01375190L	67
087EPE03911	269	093VS06S01	258	095K4040R00	155	081005S01375190LE	12
087EPE03912	269	093VS08	258	095K4545F00	155	081005S01375190LE	67
087EPE04721	269	093VS08S01	258	095K4545L00	155	081005S01375190R	12
087EPE04731	269	093VS10	258	095K4545R00	155	081005S01375190R	67
087EPE04911	269	093VS10S01	258	095K5050F00	155	081005S01375190RE	12
087EPE04921	269	093VS12	258	095K5050L00	155	081005S01375190RE	67
087EPE05911	269	093VS12S01	258	095K5050R00	155	081005S01380590L	12
087EPE06711	270	095A2020F	154	095K6060F00	155	081005S01380590L	67
087EPE07911	270	095A2525F	155	095K6060L00	155	081005S01380590LE	12
087EPE07912	270	095A2525L	155	095K6060R00	155	081005S01380590LE	67
087EPE07913	270	095A2525R	155	095KF2525F00	157	081005S01380590R	12
087SPES01911	275	095A3030F	155	095KF3030F00	157	081005S01380590R	67
087SPES02911	274	095A3030L	155	095KF3535F00	157	081005S01380590RE	12
087SPES03911	274	095A3030R	155	095KF4040F00	157	081005S01380590RE	67
087SPES04911	275	095A3535F	155	095KF4545F00	157	081005S011751180	12
087SPES05911	275	095A3535L	155	095KF5050F00	157	081005S011751180	67
087SPES06911	274	095A3535R	155	095KF6060F00	157	081005S011751180E	12
087SPES06912	274	095A4040F	155	095S3030A00	159	081005S011751180E	67
087SPES07911	276	095A4040L	155	095S4040A00	159	081005S011805180	12
087SPES08911	276	095A4040R	155	095SF3030A00	159	081005S011805180	67
087SPES09911	276	095A4545F	155	095SF4040A00	159	081005S011805180E	12
087SPES10911	276	095A4545L	155	095SR3030A00	159	081005S011805180E	67
087SPES11911	276	095A4545R	155	095SR4040A00	159	081005S012751180	12
087SPES11911-BL	276	095A5050F	155	095SUF3030A00	192	081005S012751180	67
087SPES11911-EMI	276	095A5050L	155	095SUR3030A00	192	081005S012751180E	12
087SPES11911-SI	276	095A5050R	155	095Z1010F	153	081005S012751180E	67
087SPES11912	276	095A6060F	155	340ME452	252	081005S012805180	12
087SPES12911	277	095A6060L	155	340ME452S01	252	081005S012805180	67
087SPES12912	277	095A6060R	155	0810SEAL	237	081005S012805180E	12
087SPES13911	275	095AF4040FS01	158	06002SH0001R01	149	081005S012805180E	67
087SPES13912	275	095E2020F	154	06002SH0001R01S01	149	081005S013751180	12
087SPES13913	275	095E2525F	156	06002SH0001R01S03	149	081005S013751180	67
087SPES14911	279	095E2525L	156	081005S01175190L	12	081005S013751180E	12
087SPES15911	279	095E2525R	156	081005S01175190L	67	081005S013751180E	67
087SPES16911	273	095E3030F	156	081005S01175190LE	12	081005S013805180	12
087SPES16912	273	095E3030L	156	081005S01175190LE	67	081005S013805180	67
087SPES16913	273	095E3030R	156	081005S01175190R	12	081005S013805180E	12
087SPET01911	271	095E3535F	156	081005S01175190R	67	081005S013805180E	67
087SPET02911	271	095E3535L	156	081005S01175190RE	12	089005S01	249
087SPET03911	271	095E3535R	156	081005S01175190RE	67	089201	81
087SPET04911	271	095E4040F	156	081005S01180590L	12	089202	81
087SPET04912	271	095E4040L	156	081005S01180590L	67	089203	82
087SPET04913	271	095E4040R	156	081005S01180590LE	12	089204	82
087SPET05911	272	095E4545F	156	081005S01180590LE	67	092001	289
087SPET06911	272	095E4545L	156	081005S01180590R	12	092008	291
087SPET07911	272	095E4545LS02	19	081005S01180590R	67	092009	291
087SPET08911	272	095E4545R	156	081005S01180590RE	12	092010	291
087SPET08911-BL	272	095E4545RS02	19	081005S01180590RE	67	092010	291
087SPET08911-EMI	272	095E5050F	156	081005S01275190L	12	092013	294
087SPET08911-SI	272	095E5050L	156	081005S01275190L	67	092013A200	293
087SPET08912	272	095E5050R	156	081005S01275190LE	12	092013A300	293
087SPET09911	272	095E6060F	156	081005S01275190LE	67	092013A400	293
087SPET09912	272	095E6060L	156	081005S01275190R	12	092013A500	293
087SPET10911	273	095E6060R	156	081005S01275190R	67	092013A.2000	293

PART NUMBER INDEX

092013C200	293	095023R	152	0810094	81	0810123E	31	0810176S05	26
092013C300	293	095065	161	0810094S01	80	0810123FH751	31	0810176S06	26
092013C400	293	095072	203	0810094S06	80	0810123R01	249	0810177S01	26
092013C500	293	095072S02	202	0810095	74	0810124	31	0810177S03	26
092013C.2000	293	095074	187	0810096	74	0810125	31	0810177S04	26
092013E200	293	095074S01	187	0810097	74	0810126	31	0810182	37
092013E300	293	095300	160	0810098	74	0810127	31	0810182E	37
092013E400	293	095300F	160	0810099	74	0810127E	31	0810182S01	37
092013E500	293	095400	160	0810100	74	0810127ES01	33	0810203	52
092013E.2000	293	095401L	195	0810101	74	0810127ES01R06	236	0810204	52
092013S200	293	095401LS01	195	0810102	74	0810127ES01R08	236	0810205	52
092013S300	293	095401R	195	0810103	39	0810128	31	0810206	52
092013S400	293	095401RS01	195	0810103S01	39	0810129	31	0810207	52
092013S500	293	095980AL	205	0810103S02	39	0810130	31	0810208	52
092013S.2000	293	095980S	205	0810103S03	39	0810131	31	0810209	52
092014	295	0810001	39	0810103S04	39	0810132	31	0810210	52
092300	290	0810002	39	0810103S05	39	0810133	31	0810211	52
092301	290	0810010	63	0810104	39	0810134	31	0810212	52
092302	290	0810011	63	0810104S01	39	0810135	31	0810213	52
092303	290	0810012	63	0810104S02	39	0810135S01	31	0810214	52
092304	290	0810039	63	0810104S03	39	0810136	31	0810215	52
092305	290	0810040	63	0810104S04	39	0810137	31	0810216	52
092305	294	0810041	63	0810105	39	0810138	34	0810217	52
093040	255	0810042	63	0810105E	39	0810141	31	0810218	52
093043	254	0810043	63	0810105S01	39	0810141FH751	31	0810219	52
093043S02	254	0810044	63	0810105S02	39	0810142	31	0810220	52
093044	253	0810045	63	0810105S03	39	0810143	31	0810221	52
093045	254	0810046	63	0810106	39	0810144	31	0810222	52
093045S03	254	0810046S01	63	0810106S02	39	0810145	31	0810223	52
093046	253	0810047	63	0810106S03	39	0810145S01	31	0810224	52
093059	257	0810048	63	0810106S04	39	0810145S02	31	0810225	52
093094	253	0810049	63	0810107	39	0810146	31	0810226	52
093156	259	0810050	63	0810112	42	0810147	31	0810227	52
093166	259	0810051	63	0810112GL30	42	0810148	31	0810228	52
093166SW	259	0810052	63	0810112GL50	42	0810149	31	0810229	52
093169	259	0810053	63	0810112GL60	42	0810150	31	0810230	52
093169SW	259	0810054	65	0810112S01	44	0810151	31	0810231	52
093401	256	0810056	70	0810112S02	44	0810152	31	0810232	52
093813A04	257	0810057	70	0810112S03	44	0810153	31	0810233	52
093813A04S01	257	0810058	70	0810113	42	0810153S01	31	0810234	52
093813M04	257	0810058R01	249	0810113GL30	42	0810154	31	0810235	91
093813M04S01	257	0810059	70	0810113GL50	42	0810154E	31	0810235S02	91
093814A45	257	0810060	70	0810113GL60	42	0810155	31	0810236	91
093814A45S01	257	0810061	70	0810113S01	44	0810156	34	0810237	53
093814M45	257	0810062	70	0810113S03	44	0810159	31	0810237	53
093814M45S01	257	0810063	70	0810114	42	0810160	31	0810238	53
093815M45	257	0810064	70	0810114E	42	0810161	31	0810238	53
093815M45S01	257	0810065	70	0810114GL30	42	0810162	31	0810239	53
095005	162	0810066	70	0810114GL50	42	0810163	31	0810239R01	52
095005S02	162	0810067	70	0810114S03	41	0810164	31	0810239R01	250
095006	165	0810068	70	0810114S04	41	0810165	31	0810240	53
095006K	165	0810069	70	0810115	42	0810166	34	0810240	53
095006S01	165	0810070	70	0810115GL30	42	0810166E	34	0810241	53
095007	171	0810071	70	0810115GL50	42	0810167	34	0810241	53
095007S01	171	0810072	68	0810116	42	0810167E	34	0810242	53
095007SB	171	0810073	68	0810116ES02	44	0810168	34	0810243	53
095007SBS01	171	0810074	68	0810117	41	0810168S03	27	0810243	53
095008	172	0810075	68	0810117ES02	10	0810169	34	0810244	53
095008S01	172	0810076	68	0810117ES02	44	0810169S03	27	0810244	53
095009	167	0810077	68	0810117S01	44	0810174	26	0810245	53
095009F	194	0810088	68	0810117S01E	44	0810174S01	26	0810247	48
095009S01	167	0810089	68	0810117S02	44	0810174S02	26	0810247	238
095010	170	0810093	71	0810118	41	0810175	26	0810248	48
095010S01	170	0810093E	71	0810121	77	0810175S01	26	0810248	238
095022F00	153	0810093S01	71	0810122	77	0810175S02	26	0810249	48
095023L	152	0810093S03	71	0810123	31	0810176	26	0810249	238

PART NUMBER INDEX

0810249E	48	0810263	238	0810284S01	48	0810310E	49	0810335	239
0810249E	238	0810263E	48	0810284S01	238	0810310E	239	0810335S02	49
0810249RC	245	0810263E	238	0810285	48	0810311	49	0810335S02	239
0810250	48	0810264	48	0810285	238	0810311	239	0810336	49
0810250	238	0810264	238	0810286	48	0810312	49	0810336	239
0810250E	48	0810265	48	0810286	238	0810312	239	0810336S02	49
0810250E	238	0810265	238	0810287	48	0810313	49	0810336S02	239
0810251	48	0810265E	48	0810287	238	0810313	239	0810337	49
0810251	238	0810265E	238	0810287S01	48	0810314	49	0810337	239
0810252	48	0810265S01	48	0810287S01	238	0810314	239	0810338	49
0810252	238	0810265S01	238	0810288	48	0810314S01	49	0810338	239
0810252E	48	0810266	48	0810288	238	0810314S01	239	0810339	49
0810252E	238	0810266	238	0810289	48	0810315	49	0810339	239
0810253	48	0810266E	48	0810289	238	0810315	239	0810340	49
0810253	238	0810266E	238	0810290	48	0810316	49	0810340	239
0810253E	48	0810266S03	48	0810290	238	0810316	239	0810341	49
0810253E	238	0810266S03	238	0810291	48	0810317	49	0810341	239
0810253S02	48	0810267	48	0810291	238	0810317	239	0810342	49
0810253S02	238	0810267	238	0810292	48	0810318	49	0810342	239
0810254	48	0810267E	48	0810292	238	0810318	239	0810343	49
0810254	238	0810267E	238	0810293	48	0810319	49	0810343	239
0810254E	48	0810267S01	48	0810293	238	0810319	239	0810344	49
0810254E	238	0810267S01	238	0810294	48	0810320	49	0810344	239
0810255	48	0810268	48	0810294	238	0810320	239	0810345	49
0810255	238	0810268	238	0810295	49	0810321	49	0810345	239
0810255E	48	0810269	48	0810295	239	0810321	239	0810346	49
0810255E	238	0810269	238	0810296	49	0810321R01	244	0810346	239
0810256	48	0810269S01	48	0810296	239	0810322	49	0810347	248
0810256	238	0810269S01	238	0810297	49	0810322	239	0810355	53
0810256E	48	0810270	48	0810297	239	0810323	49	0810355	53
0810256E	238	0810270	238	0810298	49	0810323	239	0810356	53
0810257	48	0810271	48	0810298	239	0810324	49	0810356	53
0810257	238	0810271	238	0810299	49	0810324	239	0810357	53
0810257E	48	0810272	48	0810299	239	0810324E	49	0810358	53
0810257E	238	0810272	238	0810300	49	0810324E	239	0810358	53
0810257S01	48	0810273	48	0810300	239	0810325	49	0810359	53
0810257S01	238	0810273	238	0810301	49	0810325	239	0810359	53
0810258	48	0810274	48	0810301	239	0810326	49	0810360	53
0810258	238	0810274	238	0810302	49	0810326	239	0810361	53
0810258E	48	0810274ERC-52	245	0810302	239	0810327	49	0810361	53
0810258E	238	0810275	48	0810303	49	0810327	239	0810362	53
0810258S01	48	0810275	238	0810303	239	0810328	49	0810362	53
0810258S01	238	0810276	48	0810304	49	0810328	239	0810363	53
0810259	48	0810276	238	0810304	239	0810328S01	49	0810364	53
0810259	238	0810277	48	0810304E	49	0810328S01	239	0810364	53
0810259S01	48	0810277	238	0810304E	239	0810329	49	0810365	53
0810259S01	238	0810278	48	0810304S01	49	0810329	239	0810365	53
0810260	48	0810278	238	0810304S01	239	0810329S01	49	0810366	53
0810260	238	0810279	48	0810305	49	0810329S01	239	0810367	53
0810260E	48	0810279	238	0810305	239	0810330	49	0810367	53
0810260E	238	0810280	48	0810305E	49	0810330	239	0810368	53
0810261	48	0810280	238	0810305E	239	0810331	49	0810368	53
0810261	238	0810281	48	0810306	49	0810331	239	0810369	53
0810261E	48	0810281	238	0810306	239	0810331S01	49	0810370	53
0810261E	238	0810282	48	0810307	49	0810331S01	239	0810370	53
0810261RC	245	0810282	238	0810307	239	0810332	49	0810371	53
0810261RCE	245	0810282S01	48	0810308	49	0810332	239	0810371	53
0810261S01	48	0810282S01	238	0810308	239	0810332S01	49	0810372	53
0810261S01	238	0810283	48	0810308E	49	0810332S01	239	0810376	37
0810262	48	0810283	238	0810308E	239	0810333	49	0810377	247
0810262	238	0810283E	48	0810309	49	0810333	239	0810393	40
0810262E	48	0810283E	238	0810309	239	0810333S01	49	0810393E	40
0810262E	238	0810284	48	0810309E	49	0810333S01	239	0810396	244
0810262S02	48	0810284	238	0810309E	239	0810334	49	0810400	47
0810262S02	238	0810284E	48	0810310	49	0810334	239	0810405	96
0810263	48	0810284E	238	0810310	239	0810335	49	0810406	96

PART NUMBER INDEX

0810430	76	0810541	31	0810625	22	0810744	46	0810870	46
0810431	76	0810542	31	0810664	89	0810749	46	0810871	46
0810432	76	0810543	31	0810664S01	89	0810750	46	0810872	46
0810433	76	0810544	31	0810665	89	0810751	46	0810873	46
0810434	76	0810545	31	0810665S01	89	0810752	46	0810874	46
0810435	76	0810546	31	0810666	24	0810757	46	0810875	46
0810437	41	0810547	31	0810667	24	0810758	46	0810876	46
0810438	41	0810548	31	0810669	242	0810759	46	0810877	46
0810439	43	0810549	31	0810670	242	0810760	46	0810878	46
0810440	43	0810550	31	0810671	242	0810765	46	0810879	46
0810441	43	0810551	31	0810672	242	0810766	46	0810880	46
0810442	43	0810552	31	0810673	242	0810767	46	0810881	46
0810443	43	0810553	31	0810674	242	0810768	46	0810882	46
0810444	43	0810554	31	0810675	242	0810773	46	0810883	46
0810447	22	0810555	31	0810676	242	0810774	46	0810884	46
0810448	22	0810556	31	0810677	242	0810775	46	0810885	46
0810449	22	0810557	31	0810678	242	0810776	46	0810886	46
0810450	22	0810558	31	0810679	242	0810781	46	0810887	46
0810451	22	0810559	31	0810680	242	0810782	46	0810888	46
0810452	22	0810560	31	0810681	242	0810783	46	0810889	46
0810453	22	0810561	31	0810682	242	0810784	46	0810890	46
0810454	22	0810571	36	0810683	242	0810789	46	0810891	46
0810455	23	0810572	36	0810684	242	0810790	46	0810892	46
0810456	23	0810573	36	0810685	242	0810791	46	0810893	46
0810457	23	0810574	36	0810686	242	0810792	46	0810894	46
0810458	23	0810575	36	0810688	242	0810797	46	0810895	46
0810459	243	0810576	36	0810689	242	0810798	46	0810896	46
0810460	243	0810577	36	0810690	242	0810799	46	0810897	46
0810461	243	0810578	36	0810691	242	0810800	46	0810898	46
0810462	243	0810579	36	0810692	242	0810805	46	0810899	46
0810463	243	0810580	36	0810693	242	0810806	46	0810900	46
0810464	243	0810581	36	0810694	242	0810807	46	0810901	46
0810465	243	0810582	36	0810695	242	0810808	46	0810902	46
0810466	243	0810583	36	0810696	242	0810813	46	0810903	46
0810488	54	0810584	36	0810697	242	0810814	46	0810904	46
0810489	54	0810585	36	0810698	242	0810815	46	0810905	46
0810490	54	0810586	36	0810699	242	0810816	46	0810906	46
0810491	54	0810591	22	0810700	242	0810821	46	0810907	46
0810492	54	0810592	22	0810701	242	0810822	46	0810908	46
0810493	54	0810593	22	0810702	242	0810823	46	0810909	46
0810494	54	0810594	22	0810702	242	0810824	46	0810910	46
0810495	54	0810595	22	0810702	242	0810829	46	0810911	46
0810496	54	0810596	22	0810703	242	0810830	46	0810912	46
0810497	54	0810597	22	0810704	242	0810831	46	0810913	46
0810498	69	0810598	22	0810705	242	0810832	46	0810914	46
0810499	69	0810599	22	0810706	242	0810837	46	0810915	46
0810500	69	0810600	22	0810707	28	0810838	46	0810916	46
0810501	69	0810601	22	0810707	242	0810839	46	0810917	46
0810502	69	0810602	22	0810709	244	0810840	46	0810918	46
0810503	69	0810603	22	0810710	244	0810845	46	0810919	46
0810504	69	0810604	22	0810710S01	244	0810846	46	0810920	46
0810505	69	0810605	22	0810711	243	0810847	46	0810921	46
0810524	25	0810606	22	0810712	243	0810848	46	0810922	46
0810525	25	0810607	22	0810712S01	243	0810853	46	0810923	46
0810526	241	0810608	22	0810713	243	0810854	46	0810924	46
0810527	241	0810609	22	0810714	25	0810855	46	0810925	46
0810527S01	241	0810610	22	0810715	25	0810856	46	0810926	46
0810531	93	0810611	22	0810725	35	0810861	46	0810927	46
0810534	31	0810612	22	0810726	35	0810862	46	0810928	46
0810534CP01	30	0810613	22	0810733	46	0810863	46	0810929	46
0810535	31	0810614	22	0810734	46	0810864	46	0810930	46
0810536	31	0810615	22	0810735	46	0810865	46	0810931	46
0810537	31	0810616	22	0810736	46	0810866	46	0810932	46
0810538	31	0810617	22	0810741	46	0810867	46	0810933	46
0810539	31	0810618	22	0810742	46	0810868	46	0810934	46
0810540	31	0810621	22	0810743	46	0810869	46	0810935	46

PART NUMBER INDEX

0810936	46	0811006	23	0811075	70	0813040	68	0813088	59
0810937	46	0811007	23	0811076	70	0813041	68	0813089	59
0810938	46	0811008	23	0811077	70	0813042	68	0813089	59
0810939	46	0811009	23	0811078	70	0813043	68	0813090	59
0810940	46	0811010	23	0811079	70	0813044	68	0813091	59
0810941	46	0811011	23	0811080	70	0813045	68	0813092	59
0810942	46	0811012	23	0811081	70	0813046	68	0813093	59
0810943	46	0811017	35	0812141	38	0813047	68	0813094	59
0810944	46	0811018	35	0812142	36	0813048	68	0813095	59
0810945	46	0811019	35	0812142E	36	0813049	68	0813096	59
0810946	46	0811020	35	0812143	36	0813050	68	0813097	59
0810947	46	0811021	35	0812143E	36	0813051	68	0813098	59
0810948	46	0811022	35	0812144	36	0813052	76	0813099	58
0810949	46	0811025	28	0812144E	36	0813053	76	0813099	58
0810950	46	0811026	28	0812145	36	0813054	76	0813100	58
0810951	46	0811027	28	0812145E	36	0813055	76	0813100	58
0810952	46	0811028	28	0812146	36	0813056	76	0813101	58
0810953	46	0811029	29	0812146E	36	0813057	76	0813102	58
0810954	46	0811030	29	0812147	36	0813058	56	0813102	58
0810955	46	0811031	29	0812147E	36	0813059	56	0813103	58
0810956	46	0811032	29	0812148	36	0813060	56	0813103	58
0810957	46	0811033	123	0812148E	36	0813061	56	0813104	58
0810958	46	0811035	135	0812149	36	0813062	78	0813117	60
0810959	46	0811036	135	0812149E	36	0813063	78	0813118	60
0810960	46	0811037	77	0812150E	33	0813064	78	0813119	60
0810961	46	0811038	40	0812150EKEY	33	0813065	73	0813120	60
0810962	46	0811038S01	40	0812150EKEY	249	0813066	73	0813121	60
0810963	46	0811039	53	0812150ES01	33	0813067	73	0813122	60
0810964	46	0811039	53	0812151RCS01	246	0813068	73	0813123	60
0810965	46	0811040	53	0812151RCS02	246	0813069	73	0813124	60
0810966	46	0811040	53	0812151RCS03	246	0813070	73	0813125	60
0810967	46	0811041	53	0812151RCS04	246	0813071	73	0813126	55
0810968	46	0811042	149	0812151RCS05	246	0813072	59	0813127	55
0810969	46	0811043	149	0813001	68	0813072	59	0813128	55
0810970	46	0811044	63	0813003	68	0813073	59	0813129	55
0810971	46	0811045	63	0813004	68	0813073	59	0813130	55
0810972	46	0811046	63	0813005	68	0813074	59	0813131	55
0810973	46	0811047	63	0813006	68	0813074	59	0813132	92
0810974	46	0811048	63	0813007	68	0813075	59	0813133	92
0810975	46	0811049	63	0813009	68	0813075	59	0813134	92
0810976	46	0811050	62	0813011	68	0813076	59	0813134E	92
0810977	46	0811051	62	0813012	68	0813076	59	0813135	92
0810978	46	0811052	62	0813013	68	0813077	59	0813136	92
0810979	46	0811053	62	0813014	68	0813077	59	0813137	92
0810980	46	0811054	62	0813015	68	0813078	59	0813138	92
0810981	46	0811055	62	0813016	68	0813078	59	0813138E	92
0810982	46	0811056	62	0813017	68	0813079	59	0813139	92
0810983	46	0811057	62	0813018	68	0813079	59	0813140	92
0810984	46	0811058	62	0813019	68	0813080	59	0813141	92
0810985	46	0811059	62	0813021	68	0813080	59	0813142	92
0810986	46	0811060	62	0813023	68	0813081	59	0813142E	92
0810987	46	0811061	62	0813024	68	0813081	59	0813143	92
0810988	46	0811062	62	0813025	68	0813082	59	0813144	92
0810989	46	0811063	62	0813026	68	0813082	59	0813145	92
0810990	46	0811064	62	0813027	68	0813083	59	0813146	92
0810991	46	0811065	62	0813028	68	0813083	59	0813146E	92
0810992	46	0811066	62	0813029	68	0813084	59	0813147	92
0810993	46	0811067	62	0813030	68	0813084	59	0813149	95
0810994	46	0811068	64	0813031	68	0813085	59	0813150	95
0810995	46	0811069	64	0813032	68	0813085	59	0813153	89
0810996	46	0811070	64	0813033	68	0813086	59	0813154	108
0810997	46	0811071	64	0813034	68	0813086	59	0813155	108
0810998	46	0811072	64	0813035	68	0813087	59	0813156	108
0810999	46	0811073	64	0813037	68	0813087	59	0813157	108
0811005	23	0811074	70	0813039	68	0813088	59	0813158	108

PART NUMBER INDEX

0813159	108	0813257	147	0813329	190	0813410	234	0813569S05	102
0813160	108	0813258	147	0813330	190	0813411	234	0813576E	190
0813161	108	0813259	147	0813332	190	0813412	234	0813577E	190
0813162	127	0813260	147	0813334	190	0813413	234	0813578E	190
0813163	127	0813261	147	0813336	190	0813415	236	0813579E	190
0813166	127	0813262	147	0813340	190	0813416	236	0813580E	190
0813167	127	0813263	147	0813349	195	0813417	236	0813581E	190
0813170	127	0813264	147	0813349	320	0813418	236	0813585	92
0813171	127	0813265	147	0813350	195	0813419	236	0813586	92
0813174	127	0813266	147	0813350	320	0813420	236	0814569	237
0813175	127	0813267	147	0813352	196	0813421	236	0814601-04	30
0813179	119	0813268	147	0813353	196	0813422	236	0814701	87
0813180	111	0813269	147	0813354	196	0813423	236	0814701S01	87
0813181	111	0813270	147	0813355	196	0813424	236	0814706	37
0813182	111	0813271	147	0813356	196	0813425	236	0814707R01	249
0813183	111	0813272	147	0813357	196	0813426	236	0814800	90
0813184	130	0813273	147	0813358	196	0813427	249	0814800S01	90
0813185	130	0813274	147	0813359	196	0813428	249	0820004	129
0813186	130	0813275	147	0813360	196	0813429	249	0820005	129
0813187	130	0813276	147	0813361	197	0813430	249	0820011	125
0813192	133	0813277	147	0813362	197	0813431	249	0820012	125
0813194	132	0813278	147	0813363	198	0813432	249	0820013	125
0813201	103	0813279	147	0813364	198	0813433	249	0820014	125
0813202	121	0813281	190	0813365	198	0813434	249	0820015	125
0813204	134	0813282	190	0813366	198	0813435	249	0820016	125
0813205	134	0813286	170	0813367	198	0813437	27	0820017	125
0813206	117	0813288	170	0813368	198	0813437	249	0820018	125
0813207	117	0813290	189	0813369	198	0813438K-4	250	0820035	126
0813208	117	0813292	189	0813370	198	0813438K-5	250	0820036	126
0813209	117	0813293	189	0813371	200	0813439	249	0820037	126
0813214	118	0813294	175	0813372	200	0813440	249	0820038	126
0813215	118	0813294	317	0813373	200	0813441	248	0820039	126
0813216	118	0813295	204	0813374	200	0813441S01	248	0820039S02	126
0813217	118	0813296	204	0813375	200	0813442	251	0820040	126
0813218	118	0813297	204	0813376	201	0813442-BPC	251	0820041	126
0813225	138	0813298	204	0813377	201	0813443	251	0820042	126
0813226	138	0813299	173	0813378	212	0813445	289	0820055	128
0813227	138	0813300	173	0813379	212	0813455	292	0820056	128
0813228	138	0813301	173	0813380	212	0813456	292	0820057	128
0813229	138	0813302	173	0813381	212	0813457	292	0820058	128
0813230	138	0813303	172	0813382	216	0813458	292	0820083	122
0813231	139	0813305	172	0813383	216	0813459	292	0820084	122
0813231E	139	0813306	172	0813384	216	0813460	292	0820085	122
0813231S01	140	0813307	172	0813385	216	0813463	286	0820086	122
0813232	139	0813309	172	0813386	213	0813466	284	0820087	122
0813235	149	0813310	172	0813387	213	0813467	284	0820088	122
0813236	149	0813313	188	0813388	210	0813471S01	282	0820089	122
0813237	149	0813313	319	0813389	210	0813472	282	0820090	122
0813238	149	0813314	188	0813390	210	0813474	282	0820101	124
0813239	149	0813314	319	0813391	210	0813475	119	0820102	124
0813240	149	0813315	188	0813392	218	0813478	119	0820114	131
0813241	149	0813315	319	0813393	218	0813479	119	0820115	131
0813242	149	0813316	188	0813394	218	0813481	323	0820132	247
0813243	149	0813316	319	0813395	218	0813482	323	0820141S01	123
0813244	149	0813317	186	0813396	224	0813489	73	0830002	171
0813245	149	0813317	318	0813397	224	0813491	118	0830003	170
0813246	149	0813318	61	0813398	225	0813492	147	0830004	177
0813247	149	0813319	61	0813399	230	0813493	147	0830004S01	177
0813248	149	0813320	61	0813400	229	0813494	147	0830004S02	177
0813249	149	0813321	61	0813401	229	0813569	102	0830012	169
0813250	149	0813322	61	0813402	229	0813569S01	102	0830012S01	169
0813251	141	0813323	61	0813403	229	0813569S02	102	0830012S02	178
0813253	144	0813326	190	0813406	219	0813569S03	102	0830013	169
0813255	147	0813327	190	0813407	219	0813569S03	249	0830013S01	169
0813256	147	0813328	190	0813408	234	0813569S04	102	0830013S02	178

PART NUMBER INDEX

0830015	189	0830116	165	0840050	226	0850077	47	0850145	58
0830016	197	0830117	167	0840051	226	0850078	47	0850145	58
0830017	197	0830118	167	0840053	219	0850079	47	0850146	58
0830018	197	0830119	187	0840054	219	0850080	47	0850147	58
0830019	197	0830120	187	0840056	228	0850081	47	0850147	58
0830019S01	197	0830123	177	0840059	228	0850082	47	0850148	58
0830020	197	0830169S01	212	0840063	225	0850083	47	0850148	58
0830022	197	0830180	187	0840064	231	0850084	47	0850149	58
0830022S01	169	0830181	187	0840064S01	231	0850085	47	0850159	322
0830022S02	169	0830184	189	0840065	179	0850086	47	0850160	322
0830023	197	0830189	193	0840070	208	0850087	47	0850161	322
0830023S01	169	0830190	193	0850003	289	0850088	47	0850162	322
0830023S02	169	0830191	193	0850004	289	0850089	47	0850163	323
0830026	176	0830192	193	0850005	289	0850090	47	0850164	323
0830027	176	0830193	193	0850007	287	0850091	47	0850167	240
0830030	176	0830194	193	0850008	287	0850092	47	0850180	115
0830031	176	0830195	193	0850009	287	0850093	47	0850180BEST	116
0830047	178	0830196	193	0850010	287	0850094	47	0850180-XXXX	115
0830048	178	0830197	193	0850011	287	0850095	47	0850182	141
0830049S01	199	0830198	193	0850012	287	0850096	47	0850184	119
0830051	180	0830199L	223	0850013	287	0850097	47	0850185	119
0830052	180	0830199LS01	226	0850014	287	0850098	47	0850195	249
0830053	180	0830199R	223	0850015	287	0850099	47	0850196	249
0830054	180	0830199RS01	226	0850016	287	0850100	47	0850197	83
0830055	181	0830201	176	0850018	287	0850101	47	0850197S02	83
0830056	181	0830206K	165	0850019	287	0850102	47	0850197S03	83
0830057	181	0830207	202	0850020	287	0850103	47	0850197S04	83
0830058	181	0840003	227	0850021	287	0850104	47	0850197S05	83
0830059	215	0840011S01	227	0850022	285	0850105	47	0850197S06	83
0830060	215	0840013	218	0850030	288	0850106	47	0850204	28
0830060S01	215	0840014	218	0850031	288	0850107	47	0850205	28
0830061	215	0840015	218	0850032	288	0850108	47	0850206	28
0830062	215	0840016	218	0850033	288	0850109	47	0850207	32
0830063	215	0840018	222	0850034	288	0850110	47	0850208	32
0830064	215	0840019	221	0850043	47	0850111	102	0850209	32
0830065	215	0840020	221	0850044	47	0850111S01	102	0850210	32
0830066	215	0840021	221	0850046	47	0850111S02	102	0850211	32
0830069S01	212	0840022	221	0850047	47	0850111S03	102	0850212	32
0830071	211	0840023	220	0850048	47	0850111S04	102	0850213	32
0830074	214	0840024	220	0850049	47	0850111S05	102	0850214	32
0830075	210	0840025	220	0850050	47	0850114	191	0850215	32
0830075S01	20	0840026	220	0850051	47	0850115	191	0850216	32
0830075S01	210	0840026CP	225	0850052	47	0850116	191	0850217	32
0830075S01	211	0840027	221	0850053	47	0850117	191	0850218	32
0830076	214	0840028	221	0850054	47	0850118	191	0850220	248
0830077	185	0840029	221	0850055	47	0850119	191	0850221	248
0830078	185	0840030	221	0850056	47	0850120	191	0850222	248
0830080	186	0840031	224	0850058	47	0850121	191	0850223	248
0830080	318	0840032	224	0850059	47	0850122	191	0850224	94
0830090	183	0840033	227	0850060	47	0850123	191	0850225	190
0830091	183	0840034	227	0850061	47	0850124	191	0850226	190
0830092	183	0840035	227	0850062	47	0850125	189	0850226E	190
0830094	184	0840036	227	0850063	47	0850126	189	0850227	190
0830095	184	0840037	227	0850064	47	0850127	189	0850227E	190
0830096	184	0840038	220	0850065	47	0850128	189	0850228	190
0830097	184	0840039	220	0850066	47	0850129	189	0850228E	190
0830098	184	0840040	220	0850067	47	0850130	189	0850229	190
0830099	184	0840041	220	0850068	47	0850131	189	0850229E	190
0830109	182	0840042	231	0850069	47	0850132	189	0850240	70
0830110	182	0840043	231	0850070	47	0850133	189	0850241	70
0830111	182	0840044	231	0850071	47	0850134	189	0850242	70
0830112	182	0840045	231	0850072	47	0850135	189	0850243	70
0830113	162	0840046	231	0850073	47	0850142	56	0850244	70
0830114	162	0840047	231	0850074	47	0850143	56	0850245	70
0830115	165	0840048	231	0850075	47	0850144	58	0850246	70
0830115K	165	0840049	231	0850076	47	0850144	58	0850247	70

PART NUMBER INDEX

0850248	70	0850303S70	299	0850314S70	301	0850361	311	0850427	311
0850249	70	0850303S80	299	0850314S80	301	0850362	311	0850428	311
0850250	70	0850304S30	299	0850315S30	301	0850363	311	0850429	311
0850251	70	0850304S40	299	0850315S40	301	0850364	311	0850430	311
0850254	25	0850304S50	299	0850315S50	301	0850365	311	0850431	311
0850255	25	0850304S60	299	0850315S60	301	0850366	311	0850432	311
0850256	25	0850304S70	299	0850315S70	301	0850367	311	0850433	311
0850257	25	0850304S80	299	0850315S80	301	0850368	311	0850434	311
0850258	25	0850305S30	299	0850316	302	0850369	311	0850435	311
0850259	25	0850305S40	299	0850317	302	0850370	311	0850436	311
0850260	25	0850305S50	299	0850318	302	0850371	311	0850437	311
0850261	25	0850305S60	299	0850319	302	0850372	311	0850438	312
0850262	206	0850305S70	299	0850320	302	0850373	311	0850439	312
0850262	320	0850305S80	299	0850321	302	0850374	311	0850441	312
0850263	16	0850306S30	299	0850322	302	0850375	311	0850442	312
0850263	174	0850306S40	299	0850322	306	0850376	311	0850443	312
0850263E	16	0850306S50	299	0850323S30	303	0850377	311	0850445	312
0850263E	174	0850306S60	299	0850323S40	303	0850378	311	0850446	312
0850270	163	0850306S70	299	0850323S50	303	0850379	311	0850447	312
0850270S01	163	0850306S80	299	0850323S60	303	0850380	311	0850449	312
0850271	163	0850307S30	299	0850323S70	303	0850381	311	0850450	312
0850271S01	163	0850307S40	299	0850323S80	303	0850382	311	0850451	312
0850272	166	0850307S50	299	0850324S30	303	0850383	311	0850453	312
0850272S01	166	0850307S60	299	0850324S40	303	0850384	311	0850454	312
0850273	166	0850307S70	299	0850324S50	303	0850385	311	0850455	312
0850273S01	166	0850307S80	299	0850324S60	303	0850386	311	0850457	312
0850274	168	0850308S30	301	0850324S70	303	0850387	311	0850458	313
0850274S01	168	0850308S40	301	0850324S80	303	0850388	311	0850459	313
0850275	168	0850308S50	301	0850325	305	0850389	311	0850461	313
0850275S01	168	0850308S60	301	0850326	305	0850390	311	0850462	313
0850278	13	0850308S70	301	0850327	305	0850391	311	0850463	313
0850278	72	0850308S80	301	0850328	305	0850392	311	0850465	313
0850289	235	0850309S30	301	0850329	306	0850393	311	0850466	313
0850290	290	0850309S40	301	0850330	306	0850394	311	0850467	313
0850297	57	0850309S50	301	0850331"L"	306	0850395	311	0850469	313
0850297	57	0850309S60	301	0850332	307	0850396	311	0850470	313
0850297S01	57	0850309S70	301	0850333	307	0850397	311	0850471	313
0850297S01	57	0850309S80	301	0850334S25	307	0850398	311	0850473	313
0850297S02	57	0850310S30	301	0850334S50	307	0850399	311	0850474	313
0850298	57	0850310S40	301	0850334S75	307	0850400	311	0850475	313
0850298	57	0850310S50	301	0850334S100	307	0850401	311	0850477	313
0850298S01	57	0850310S60	301	0850336	308	0850402	311	0850478	143
0850298S01	57	0850310S70	301	0850337	308	0850403	311	0850478S01	143
0850298S02	57	0850310S80	301	0850338	309	0850404	311	0850481	316
0850300S30	299	0850311S30	301	0850339	309	0850405	311	0850482	316
0850300S40	299	0850311S40	301	0850340	309	0850406	311	0850484	86
0850300S50	299	0850311S50	301	0850341	310	0850407	311	0850484S01	86
0850300S60	299	0850311S60	301	0850342	311	0850408	311	0850486	88
0850300S70	299	0850311S70	301	0850343	311	0850409	311	0850487	83
0850300S80	299	0850311S80	301	0850344	311	0850410	311	0850490	85
0850301S30	299	0850312S30	301	0850345	311	0850411	311	0880001	105
0850301S40	299	0850312S40	301	0850346	311	0850412	311	0880005	105
0850301S50	299	0850312S50	301	0850347	311	0850413	311	0880009	106
0850301S60	299	0850312S60	301	0850348	311	0850414	311	0880009BEST	15
0850301S70	299	0850312S70	301	0850349	311	0850415	311	0880009BEST	107
0850301S80	299	0850312S80	301	0850350	311	0850416	311	0880010	106
0850302S30	299	0850313S30	301	0850351	311	0850417	311	0880011	106
0850302S40	299	0850313S40	301	0850352	311	0850418	311	0880012	106
0850302S50	299	0850313S50	301	0850353	311	0850419	311	0880013	106
0850302S60	299	0850313S60	301	0850354	311	0850420	311	0880013BEST	15
0850302S70	299	0850313S70	301	0850355	311	0850421	311	0880013BEST	107
0850302S80	299	0850313S80	301	0850356	311	0850422	311	0880014	106
0850303S30	299	0850314S30	301	0850357	311	0850423	311	0880015	106
0850303S40	299	0850314S40	301	0850358	311	0850424	311	0880016	106
0850303S50	299	0850314S50	301	0850359	311	0850425	311	0880017	109
0850303S60	299	0850314S60	301	0850360	311	0850426	311	0880018	109

PART NUMBER INDEX

0880019	109	0890045	252	0890109	146	0957411S01	314	081005380590L	66
0880020	109	0890046	252	0890110	146	0957415	97	081005380590LE	11
0880021	110	0890047	252	0890111	146	0957415	314	081005380590LE	66
0880022	110	0890048	252	0890112	146	0957416	97	081005380590R	11
0880023	110	0890049	249	0890113	146	0957416	314	081005380590R	66
0880024	110	0890050	249	0890114	146	0957417	97	081005380590RE	11
0880025	104	0890051	249	0890115	146	0957417	314	081005380590RE	66
0880026	104	0890051S01	249	0890126	285	0957420S01	98	0810051751180	11
0880027	104	0890052	249	0890127	288	0957420S02	98	0810051751180	66
0880028	104	0890053	249	0890128	288	0957431	97	0810051751180E	11
0880029	104	0890054	249	0890129	288	0957431	314	0810051751180E	66
0880030	104	0890055	249	0890129CP01	142	0957432	97	0810051805180	11
0880031	104	0890056	249	0890129S01	142	0957432	314	0810051805180	66
0880032	104	0890057	249	0890129S02	142	08100991	13	0810051805180E	11
0880033	124	0890058	234	0890129S03	142	08100991	72	0810051805180E	66
0880034	124	0890059	234	0890130	288	08100991S01	13	0810052751180	11
0880037	112	0890060	146	0890131	288	08100991S01	72	0810052751180	66
0880039	112	0890061	146	0890132	288	08100993	75	0810052751180E	11
0880046	115	0890062	146	0890133	288	08101000	46	0810052751180E	66
0880046S01	115	0890063	146	0890134	288	09380010	257	0810052805180	11
0880055	120	0890064	146	0890143	284	09380020	257	0810052805180	66
0880056	120	0890065	146	0890144	284	09574040E	162	0810052805180E	11
0890005	47	0890066	146	0890145	284	09575050E	165	0810052805180E	66
0890006	326	0890067	146	0890147	284	09575050ELR	164	0810053751180	11
0890006E	326	0890068	146	0890201	146	09576060E	167	0810053751180	66
0890008	283	0890069	146	0890202	146	081005175190L	11	0810053751180E	11
0890008S01	282	0890070	146	0890203	146	081005175190L	66	0810053751180E	66
0890008S02	282	0890071	146	0890204	146	081005175190LE	11	0810053805180	11
0890009	283	0890072	146	0890205	146	081005175190LE	66	0810053805180	66
0890009S01	282	0890073	146	0890206	146	081005175190R	11	0810053805180E	11
0890009S02	282	0890074	146	0890207	146	081005175190R	66	0810053805180E	66
0890010	324	0890075	146	0890209-LG	263	081005175190RE	11	CP0442005	266
0890011	324	0890076	146	0890209-LGR02	263	081005175190RE	66	CP00926001S01	206
0890014	324	0890077	146	0890209-SM	263	081005180590L	11	CP10092603	203
0890015	324	0890078	146	0890211	262	081005180590L	66	CP10189001	88
0890020	325	0890079	146	0890212-0300	148	081005180590LE	11	CP100361004	266
0890021	325	0890080	146	0890212-0600	148	081005180590LE	66	CP101780002	87
0890022	325	0890081	146	0890212-0700	148	081005180590R	11	CP101809052	88
0890023	325	0890082	146	0890212-0800	148	081005180590R	66	CP101809056	86
0890024	327	0890083	146	0890212-0900	148	081005180590RE	11	CP101936001	207
0890024E	327	0890084	146	0890212-1000	148	081005180590RE	66	CP101936002	207
0890025	327	0890085	146	0890308	150	081005275190L	11	CP102002001	14
0890025E	327	0890086	146	0890309	150	081005275190L	66	CP102002001	84
0890026	328	0890087	146	0893001	21	081005275190LE	11	CP102030006	126
0890027	145	0890088	146	0893001	240	081005275190LE	66	KT10799051	328
0890027E	145	0890089	146	0930461	255	081005275190R	11	KT10799051E	328
0890028	145	0890090	146	0930462	255	081005275190R	66	KT10799061	204
0890029	144	0890091	146	0930463	255	081005275190RE	11		
0890030	142	0890092	146	0930464	255	081005275190RE	66		
0890030S03	142	0890093	146	0957408	97	081005280590L	11		
0890031	142	0890093	183	0957408	314	081005280590L	66		
0890031S01	142	0890094	146	0957408S01	97	081005280590LE	11		
0890031S03	142	0890095	146	0957408S01	314	081005280590LE	66		
0890032	141	0890096	146	0957409	99	081005280590R	11		
0890033	141	0890097	146	0957409	315	081005280590R	66		
0890034	235	0890098	146	0957409S02	99	081005280590RE	11		
0890035	235	0890099	146	0957409S02	315	081005280590RE	66		
0890036S01	235	0890100	146	0957409S03	99	081005375190L	11		
0890037	52	0890101	146	0957409S03	315	081005375190L	66		
0890037	235	0890102	146	0957410	97	081005375190LE	11		
0890037S01	235	0890103	146	0957410	314	081005375190LE	66		
0890040	252	0890104	146	0957410S01	97	081005375190R	11		
0890041	252	0890105	146	0957410S01	314	081005375190R	66		
0890042	252	0890106	146	0957411	97	081005375190RE	11		
0890043	252	0890107	146	0957411	314	081005375190RE	66		
0890044	252	0890108	146	0957411S01	97	081005380590L	11		

August 2016

© **FATH**, Inc., Orlando, FL 32822, USA

This catalog is copyright material and the proprietor reserves all rights.
Re-print, even of parts, is only allowed with the expressed approval of **FATH** GmbH / **FATH**, Inc.

We reserve the right to make technical modifications at any time.
All indications are without guarantee.

Drawings and models are the intellectual property of **FATH** GmbH.